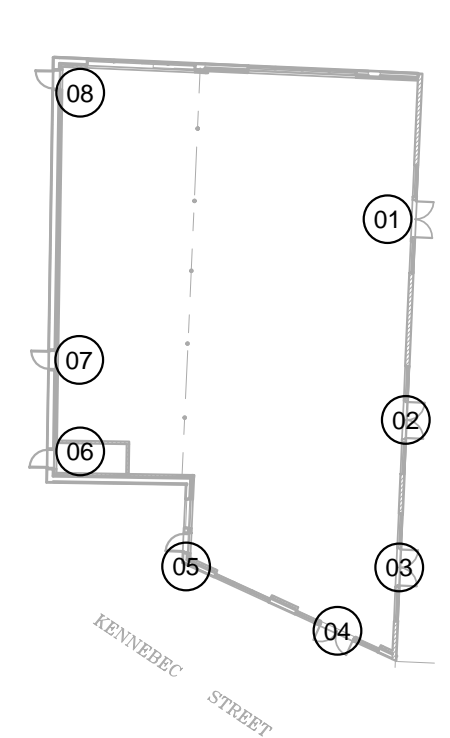
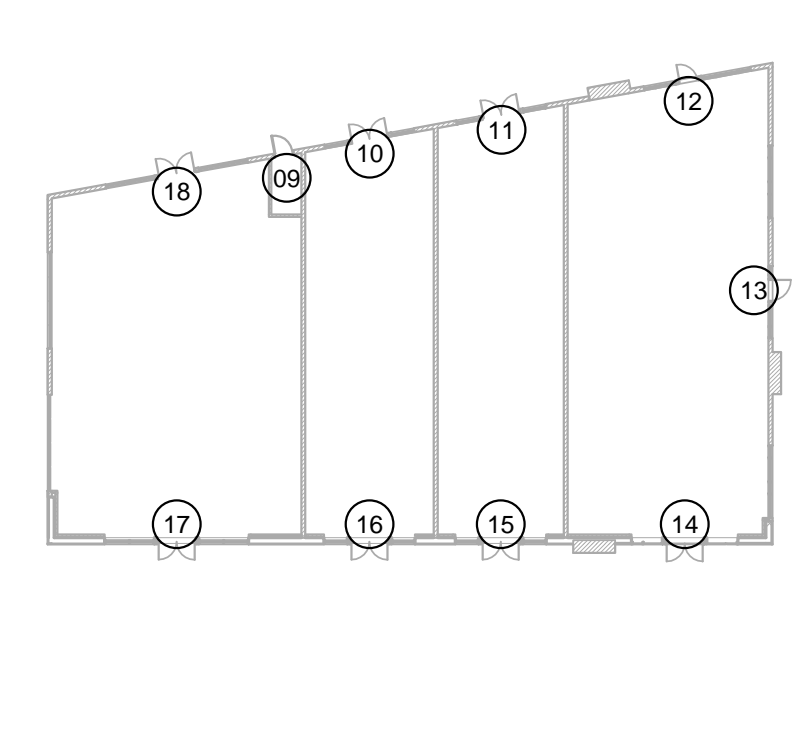


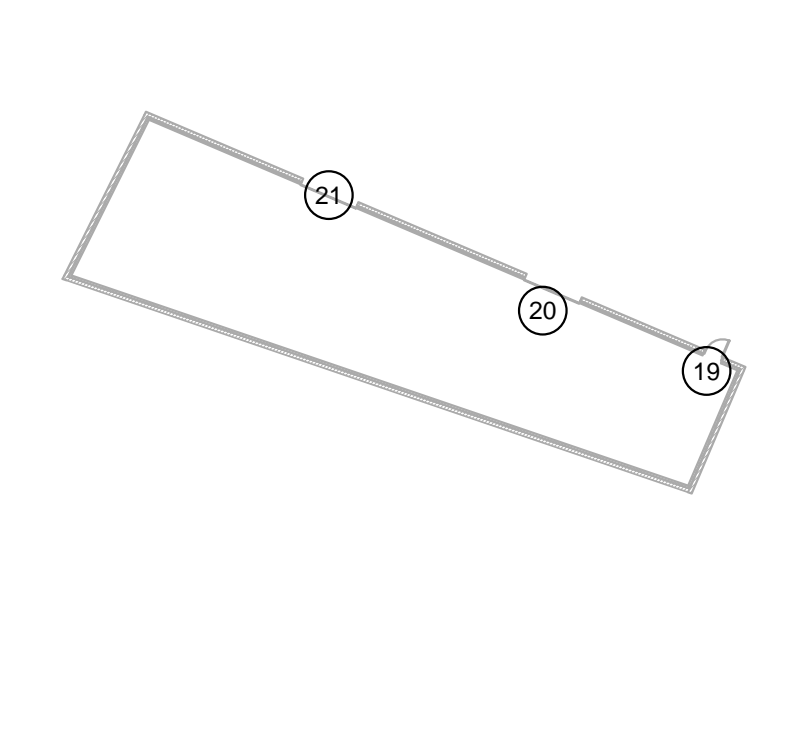
PUBLIC AREA DOOR SCHEDULE												
DOOR No.	LOCATION	SIZE			DOOR				FRAME		LABEL	REMARKS
		WIDTH	HEIGHT	THICKNESS	TYPE	MATERIAL	FINISH	THRESH	MATERIAL	TYPE		
BUILDING B FLOOR PLAN												
01		6'-0"	7'-0"	2"	4	STOR		ALUM	HM			ALUM WIDE STILE DOOR, PANIC HARDWARE
02		6'-0"	7'-0"	2"	4	STOR		ALUM	HM			ALUM WIDE STILE DOOR, PANIC HARDWARE
03		6'-0"	7'-0"	2"	4	STOR		ALUM	HM			ALUM WIDE STILE DOOR, PANIC HARDWARE
05		3'-0"	7'-0"	2"	1	INSULATED METAL		ALUM	HM			LOCKSET BY OWNER
06		3'-0"	7'-0"	2"	1	INSULATED METAL		ALUM	HM			LOCKSET BY OWNER
07		3'-0"	7'-0"	2"	1	INSULATED METAL		ALUM	HM			LOCKSET BY OWNER
08		3'-0"	7'-0"	2"	1	INSULATED METAL		ALUM	HM			LOCKSET BY OWNER
09		3'-0"	7'-0"	2"	1	STOR		ALUM	HM			LOCKSET BY OWNER
10		6'-0"	7'-0"	2"	4	STOR		ALUM	HM			ALUM WIDE STILE DOOR, PANIC HARDWARE
11		6'-0"	7'-0"	2"	4	STOR		ALUM	HM			ALUM WIDE STILE DOOR, PANIC HARDWARE
12		3'-0"	7'-0"	2"	3	STOR		ALUM	HM			ALUM WIDE STILE DOOR, PANIC HARDWARE
13		3'-6"	7'-0"	2"	3	STOR		ALUM	HM			ALUM WIDE STILE DOOR, PANIC HARDWARE
14		6'-0"	7'-0"	2"	2	AL STOREFRONT		ALUM	HM			ALUM WIDE STILE DOOR, PANIC HARDWARE
15		6'-0"	7'-0"	2"	4	AL STOREFRONT		ALUM	HM			ALUM WIDE STILE DOOR, PANIC HARDWARE
16		6'-0"	7'-0"	2"	4	STOR		ALUM	HM			ALUM WIDE STILE DOOR, PANIC HARDWARE
17		6'-0"	7'-0"	2"	4	STOR		ALUM	HM			ALUM WIDE STILE DOOR, PANIC HARDWARE
18		6'-0"	7'-0"	2"	4	STOR		ALUM	HM			ALUM WIDE STILE DOOR, PANIC HARDWARE
19		3'-0"	7'-0"	2"	1	INSULATED METAL		ALUM	HM			LOCKSET BY OWNER
20		10'-0"	9'-0"	2"	5	INSULATED METAL		ALUM	HM			OVERHEAD DOOR
21		10'-0"	9'-0"	2"	5	INSULATED METAL		ALUM	HM			OVERHEAD DOOR



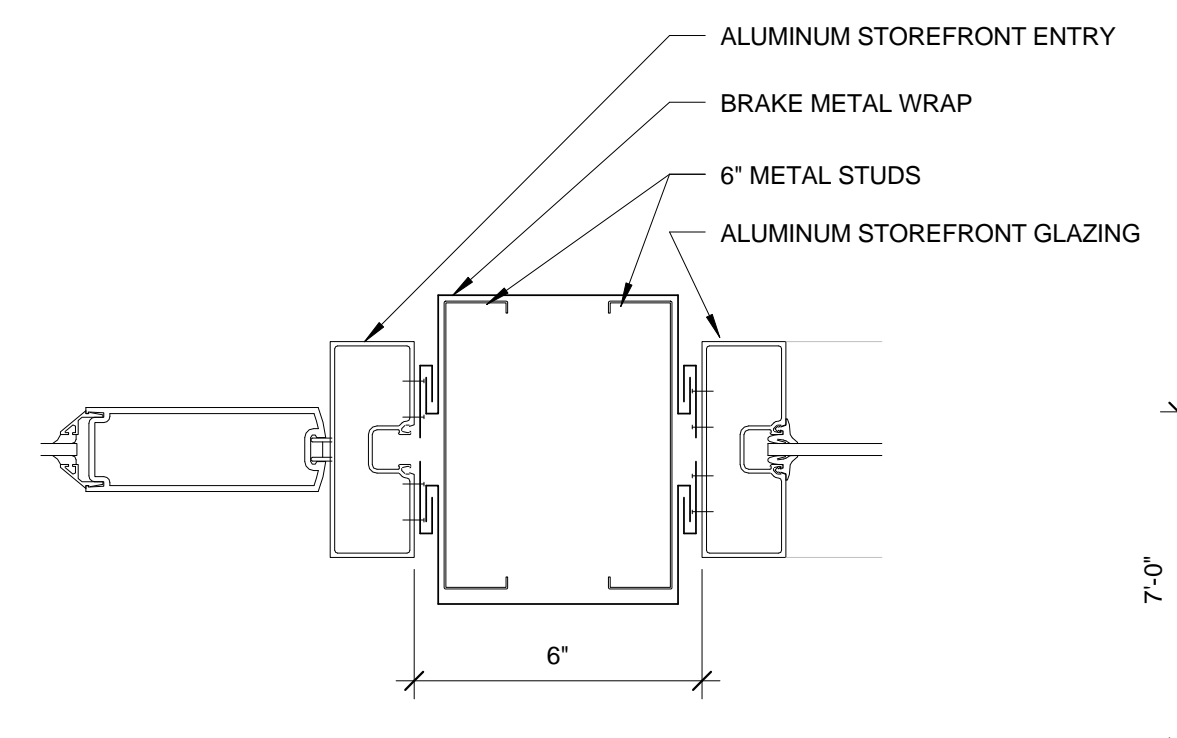
**1 | BUILDING A DOOR LOCATIONS**  
1/32" = 1'-0"



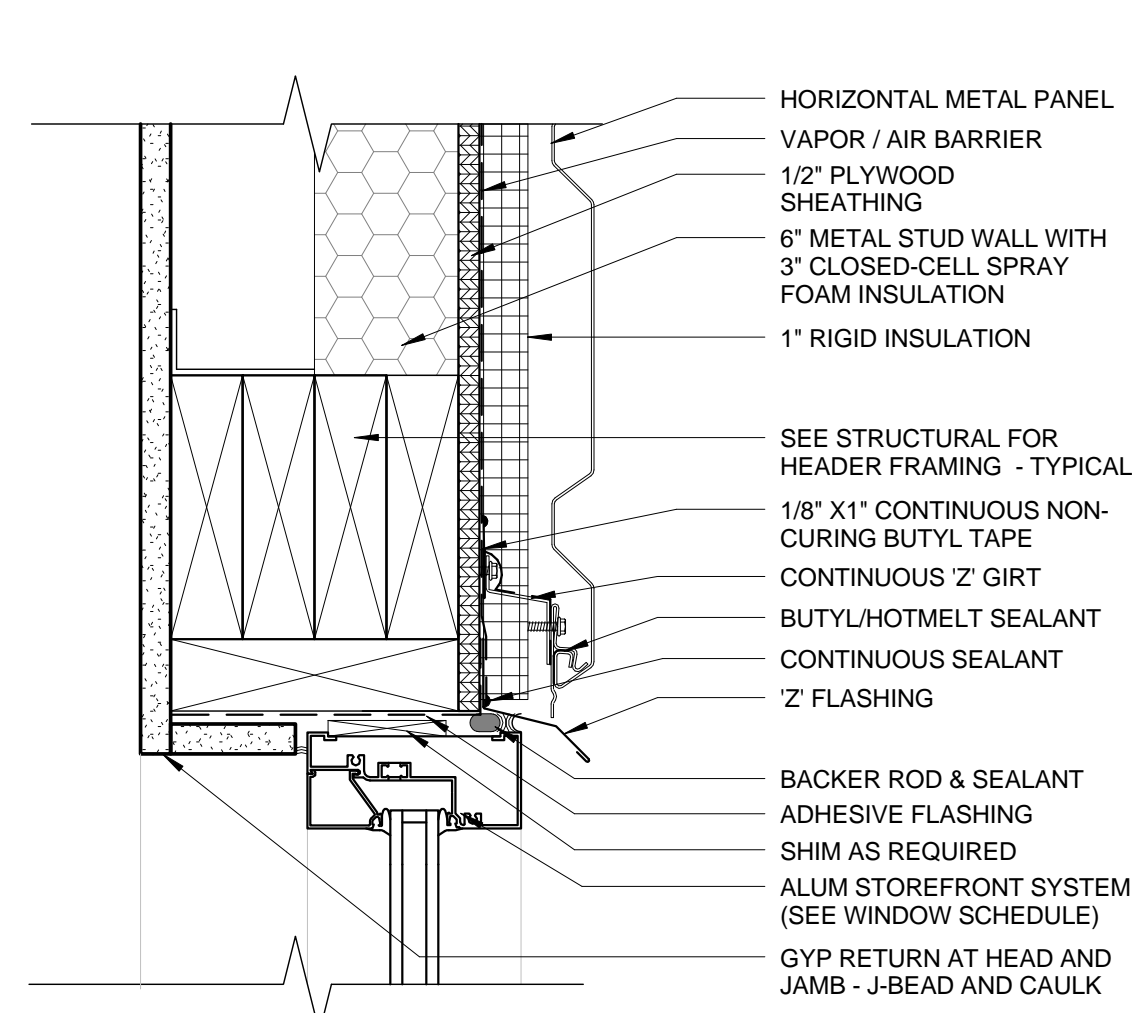
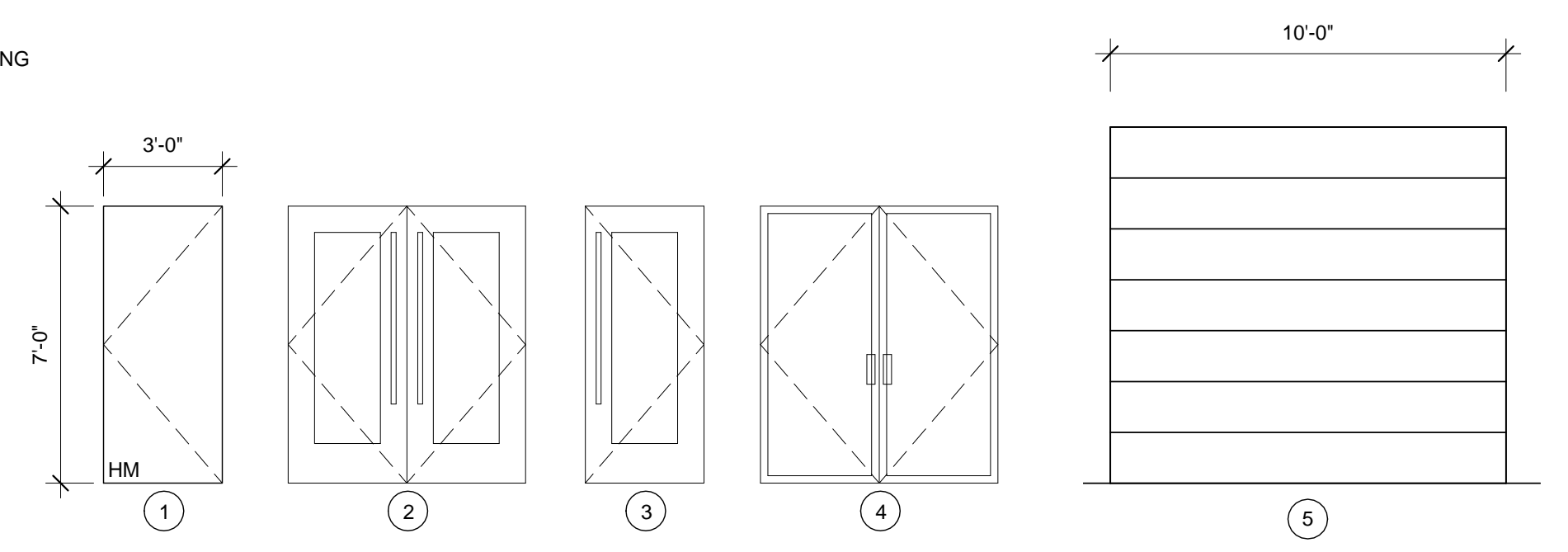
**2 | BUILDING B DOOR LOCATIONS**  
1/32" = 1'-0"



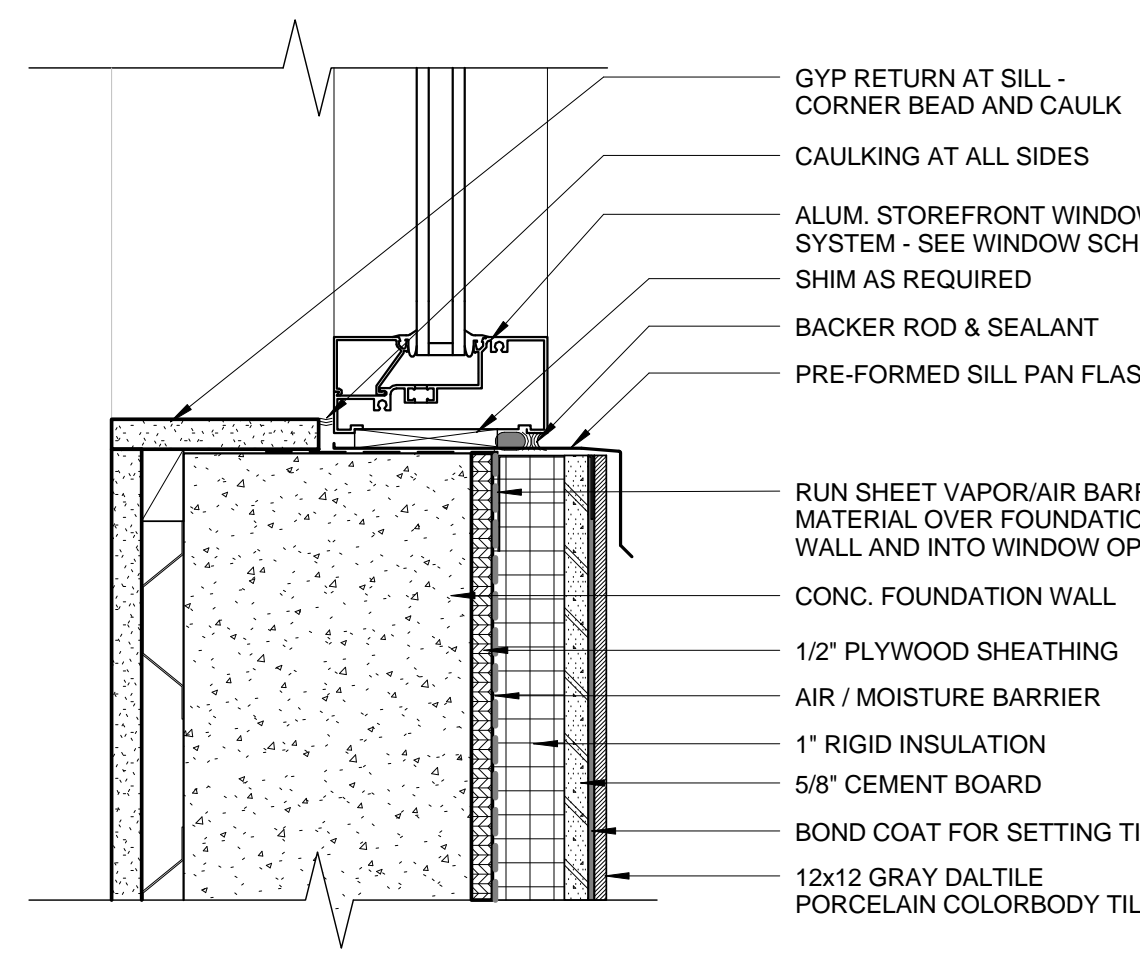
**3 | WAREHOUSE DOOR LOCATIONS**  
1/32" = 1'-0"



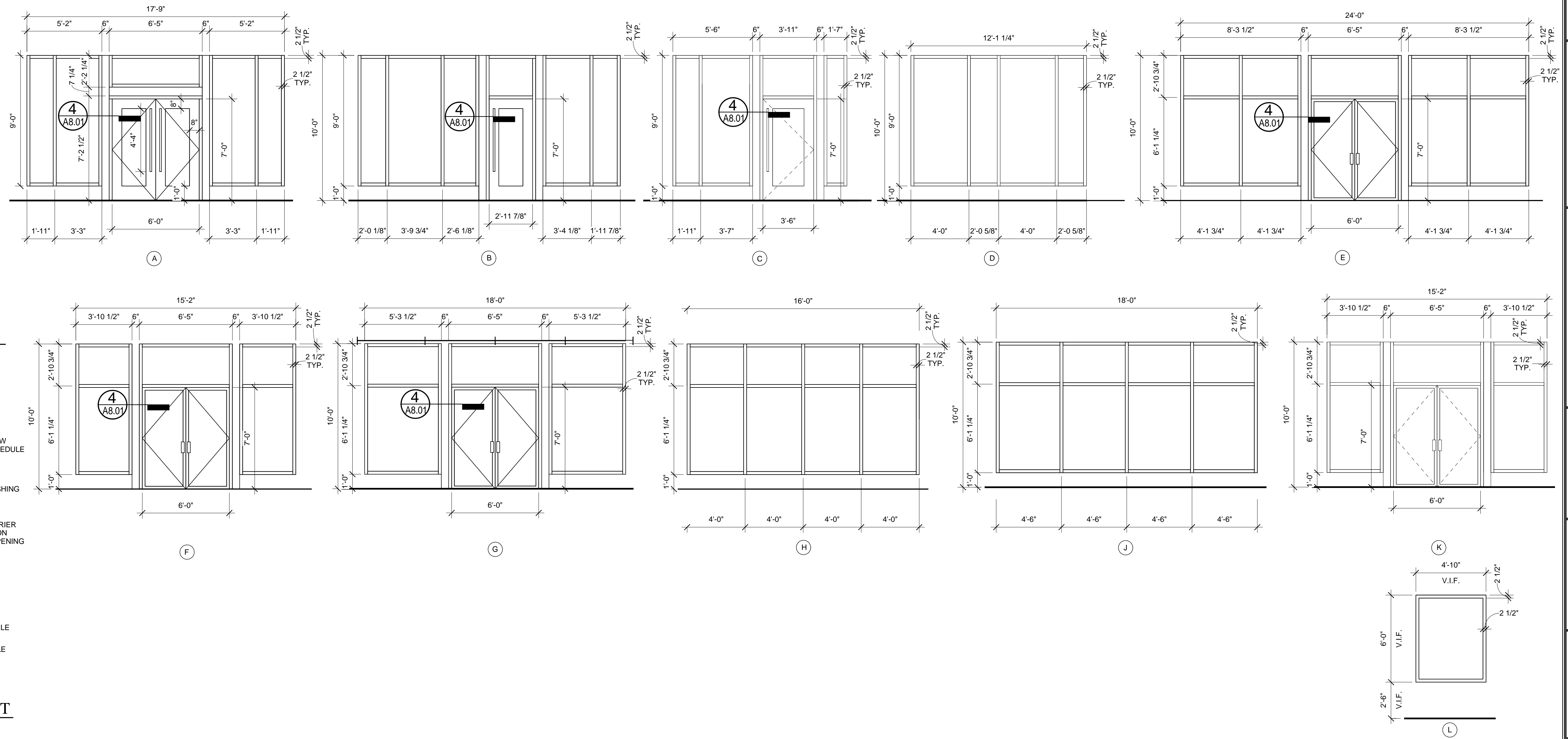
**4 | BRAKE METAL MULLION COVER**  
3" = 1'-0"



**6 | TYPICAL WINDOW HEAD - ALUM ST.FRONT**  
3" = 1'-0"



**8 | TYPICAL WIN. SILL DETAIL - ALUM. ST.FRONT**  
3" = 1'-0"



Prepared For: \_\_\_\_\_

Consultant: \_\_\_\_\_

Architect: **ARCHETYPE architects**  
48 Union Wharf Portland, Maine 04101  
(207) 772-6022 ARCHETYPE@ARCHETYPEA.COM

Project: **Century Tire**

Revisions: \_\_\_\_\_

Date: **03-16-2015**

Scale: **As indicated**

**DOOR SCHEDULE**

**A8.01**