

Prepared For:

Consultant:

Architect:

Project:

Revisions:

Scale: As indicated

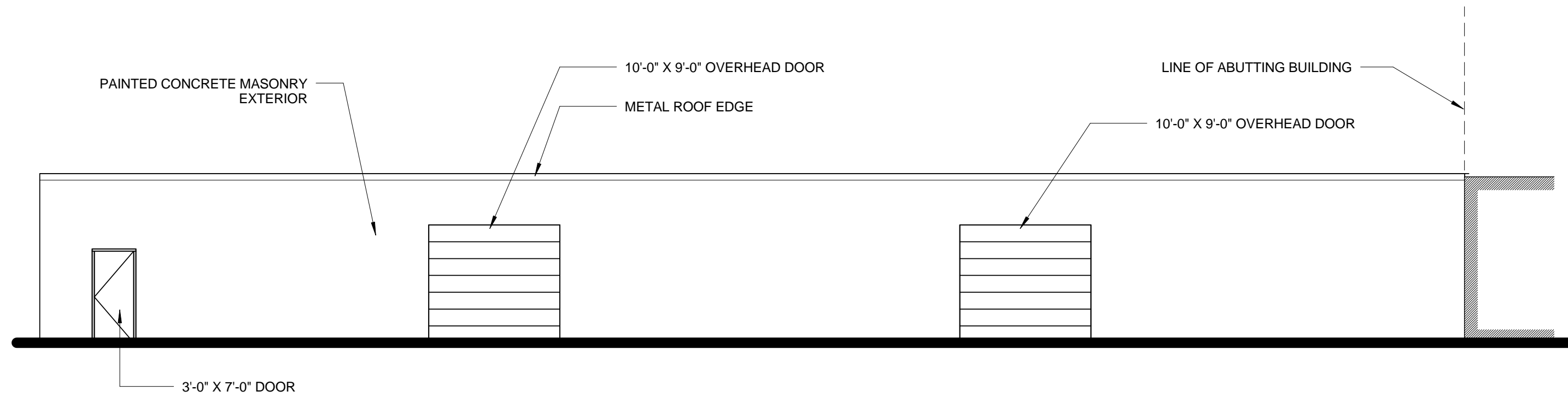
Date: 03-16-2015

A2.03

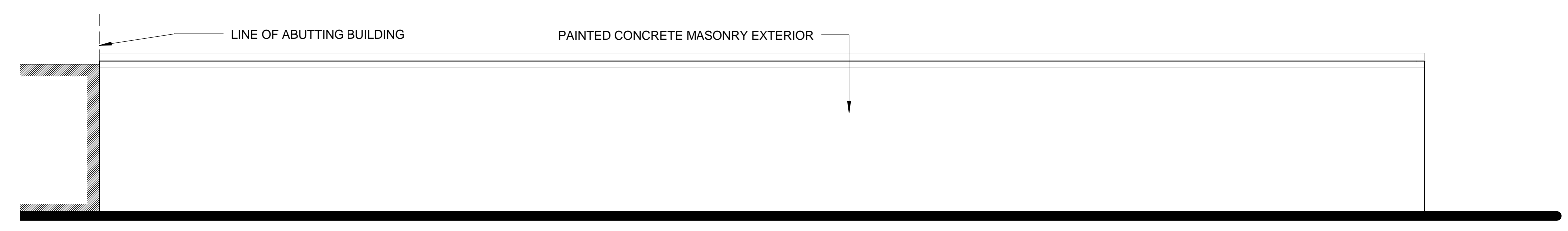
ARCHETYPE
architects
48 Union Wharf Portland, Maine 04101
(207) 772-6022 ARCHETYPE@ARCHETYPEPA.COM

Century Tire

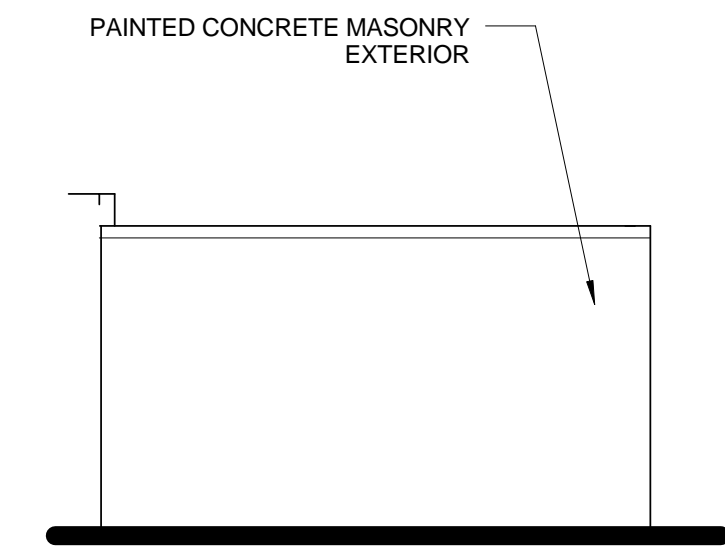
WAREHOUSE
ELEVATIONS



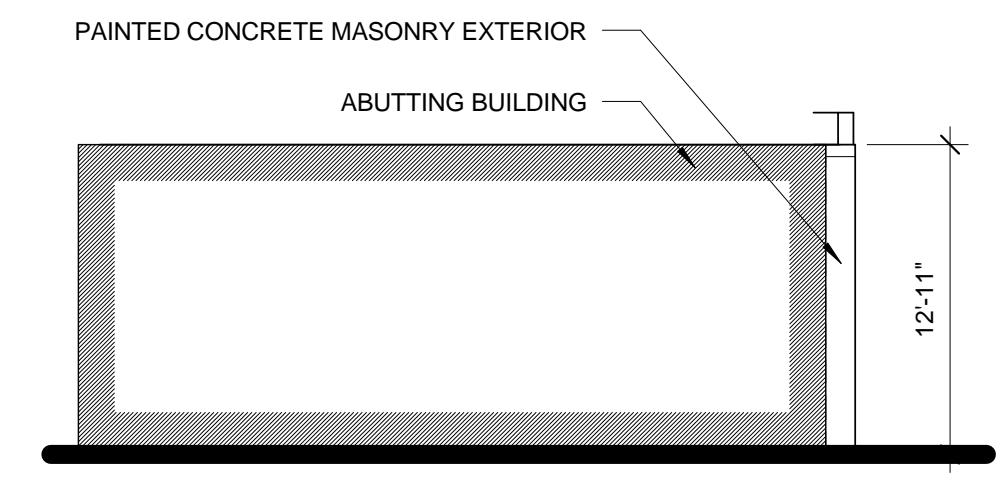
1 | WAREHOUSE NORTH ELEVATION
1/8" = 1'-0"



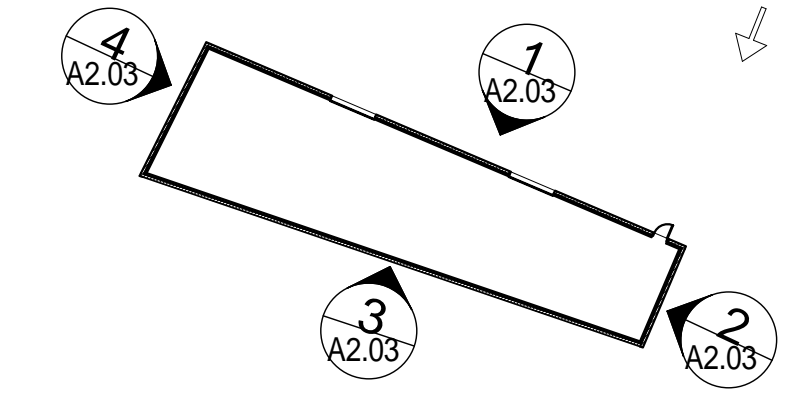
3 | WAREHOUSE SOUTH ELEVATION
1/8" = 1'-0"



2 | WAREHOUSE EAST ELEVATION
1/8" = 1'-0"



4 | WAREHOUSE WEST ELEVATION
1/8" = 1'-0"



- KEY PLAN Copy 2
1" = 40'-0"