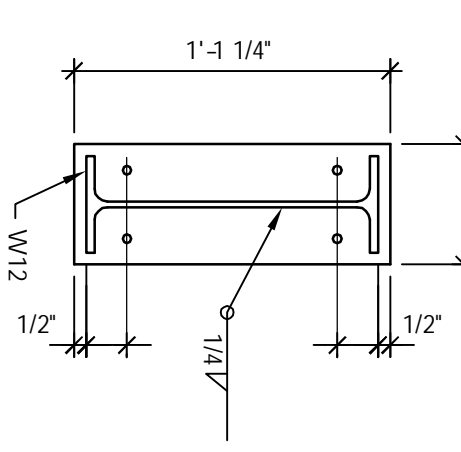
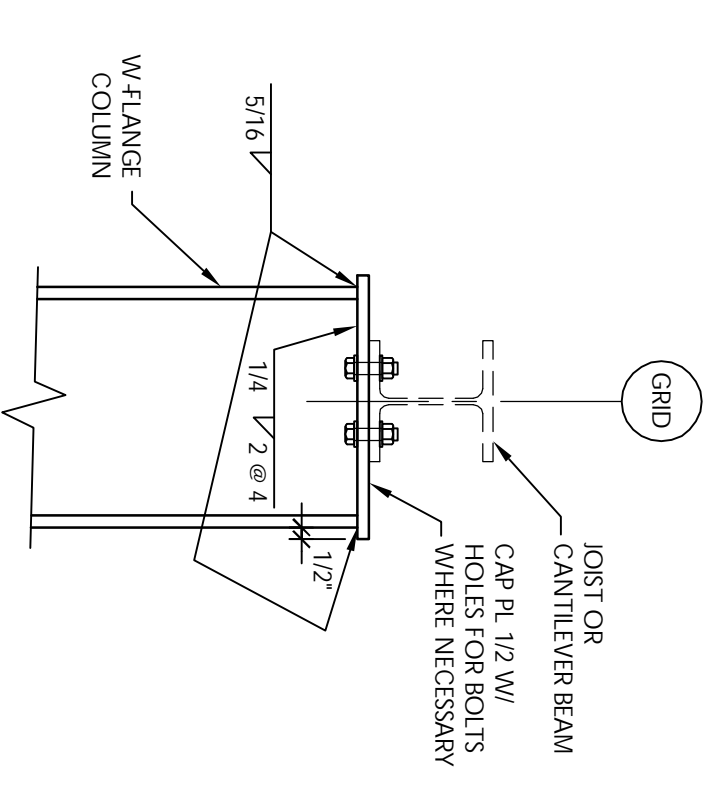


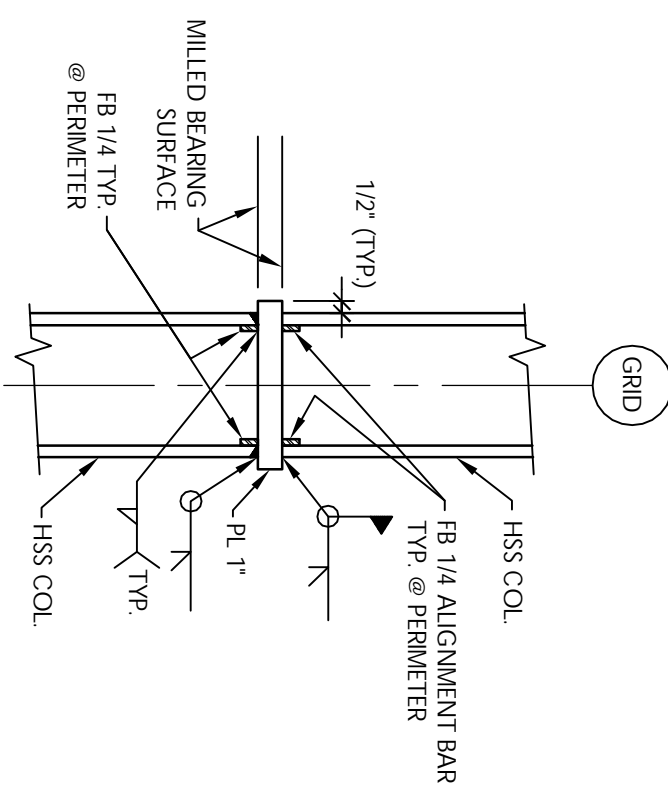
C-C SECTION
SSS NIS



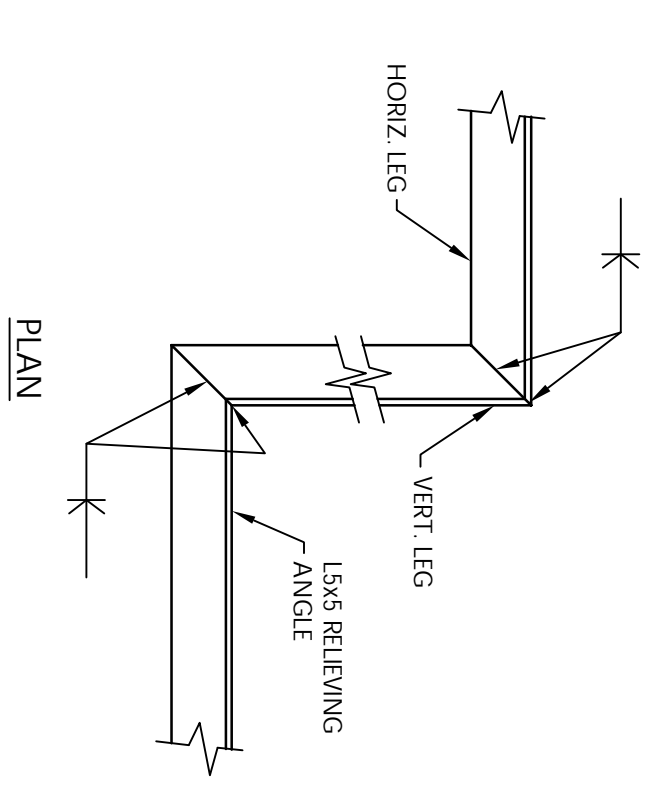
C4 DETAIL
SSS 1 1/2" = 1'-0"



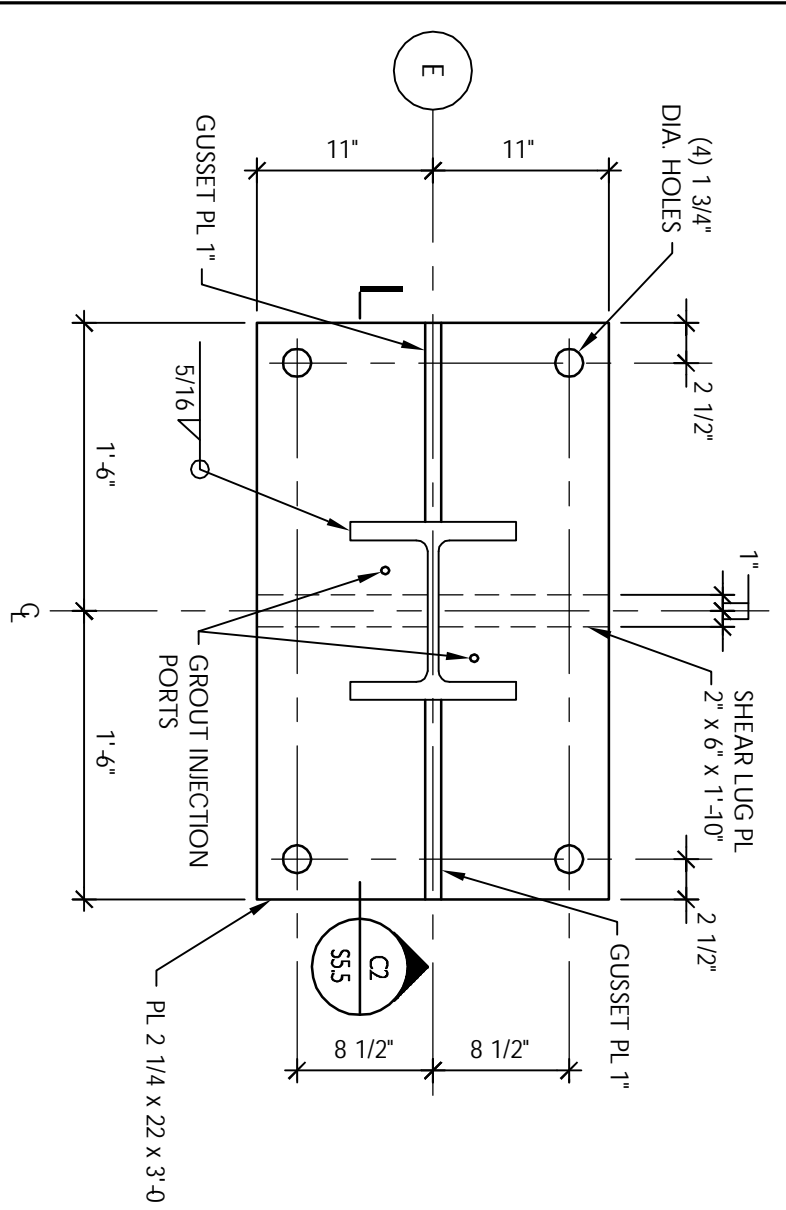
TYPICAL W/F ANGLE COLUMN CAP PLATE
SSS NIS



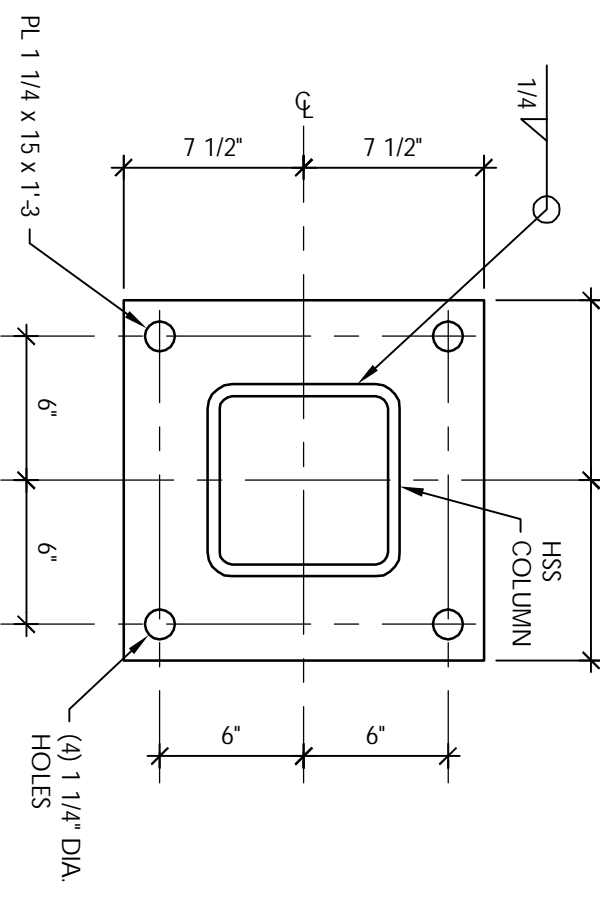
TYPICAL HSS COLUMN SPLICE @ NON BRACING BAY
SSS NIS



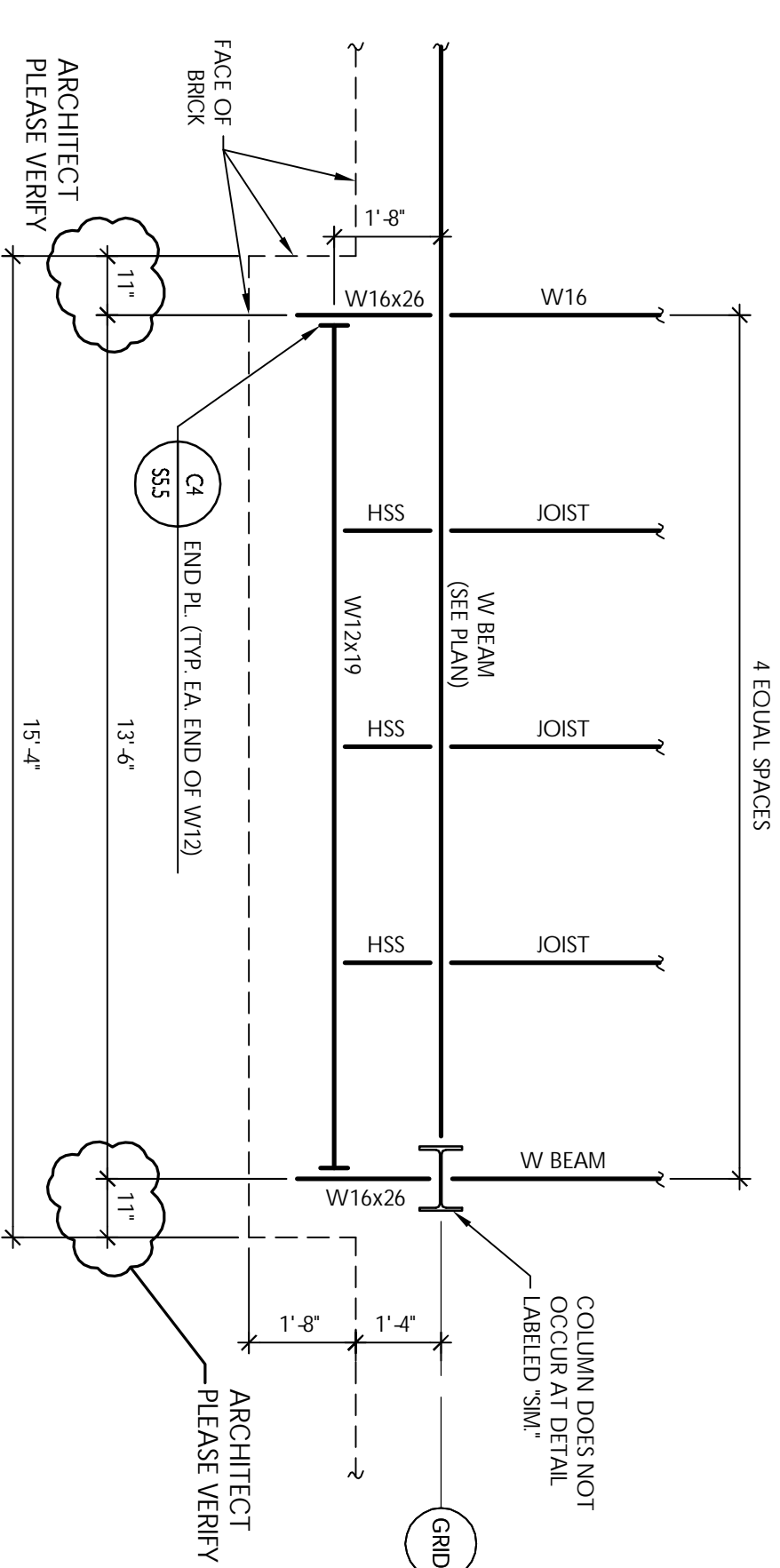
TYPICAL WEB MOMENT CONNECTION @ PENTHOUSE
SSS 1" = 1'-0"



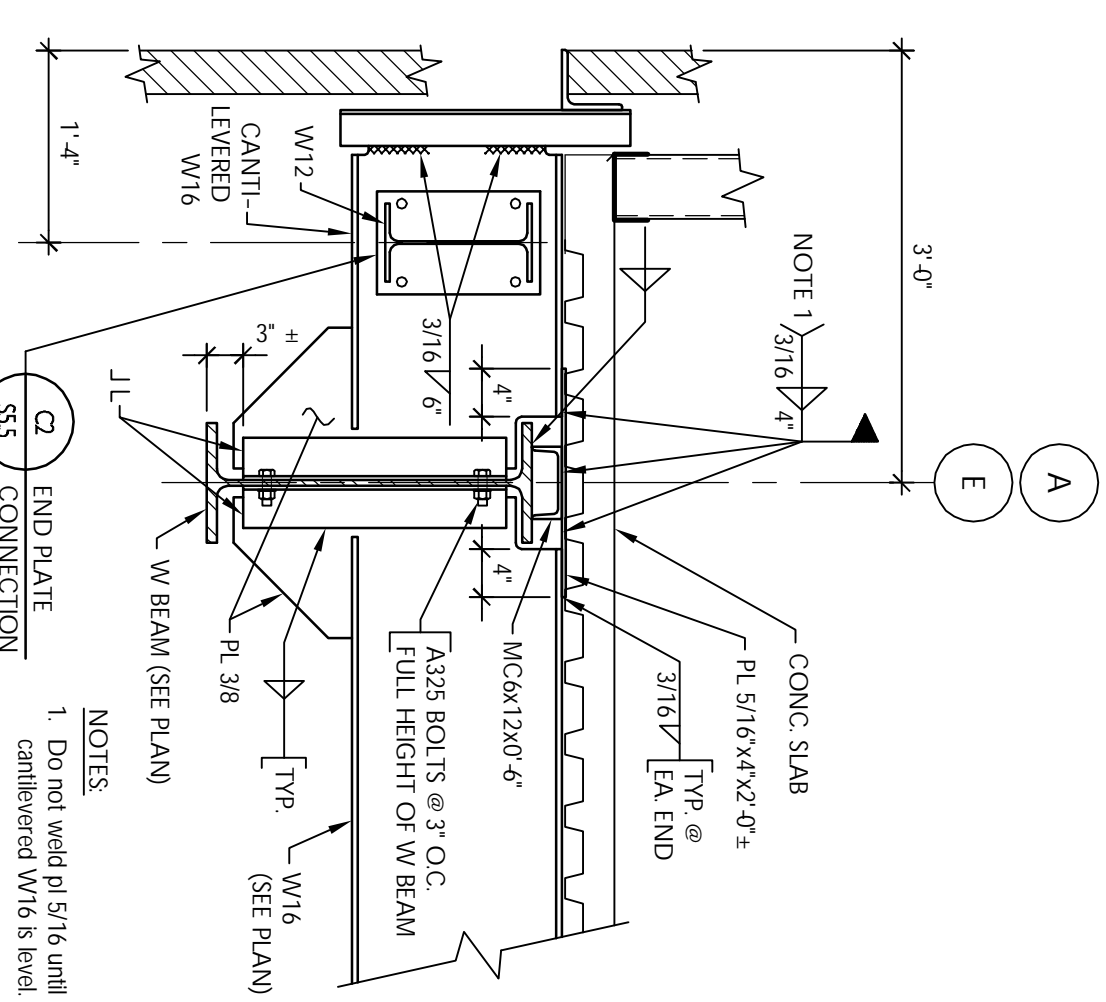
E2 TYPE 8 BASE PLATE
SSS NIS



E4 TYPE 7 BASE PLATE
SSS NIS



E6 DETAIL
SSS 3/8" = 1'-0"



E-E SECTION
SSS NIS

PRELIMINARY
NOT FOR CONSTRUCTION

UNDER NO CIRCUMSTANCES SHALL THIS DRAWING BE USED TO DEVELOP SHOP DRAWINGS OR FABRICATE NEW MATERIALS.

Drawing Title:
FRAMING SECTIONS & DETAILS

Scale: As Noted
Date: 10/25/05
PSE Proj. No.: 127-05

REVISIONS:	
Description:	Date:
Issued for Review	11/7/05
CAD Filename:	
CWS / Marginal Way / Details	

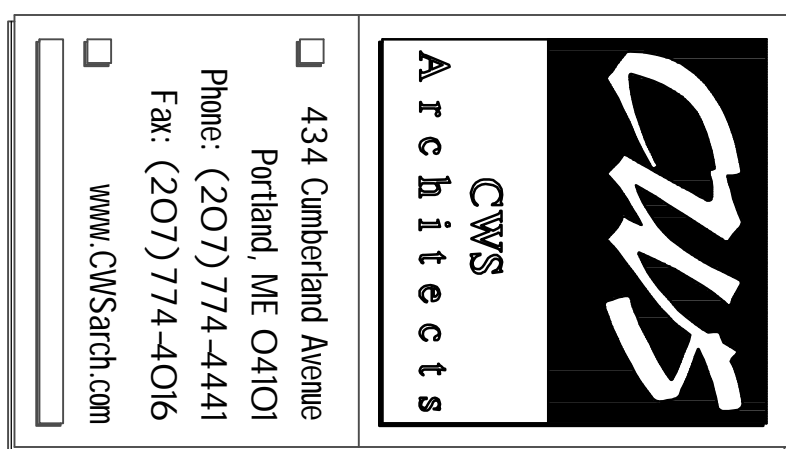
Owner:
BAYSIDE HOLDINGS, LLC
50 PORTLAND PIER SUITE 400
PORTLAND, MAINE 04101

MULTI-TENANT OFFICE BUILDING

MARGINAL WAY
PORTLAND, MAINE 04101



434 Cumberland Avenue
Portland, ME 04101
Phone: (207) 774-4441
Fax: (207) 774-4016
www.CWSArch.com



Drawing Number:
SS5.5