

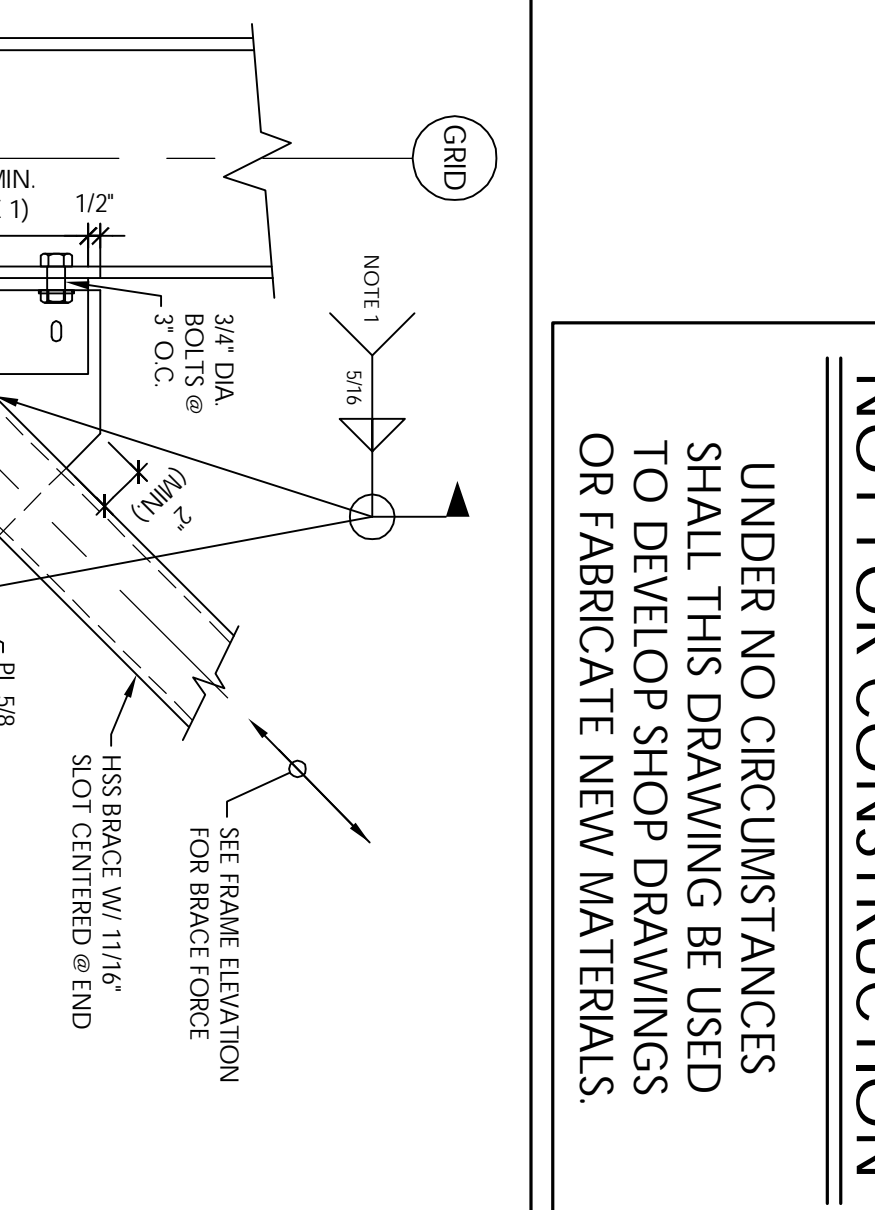
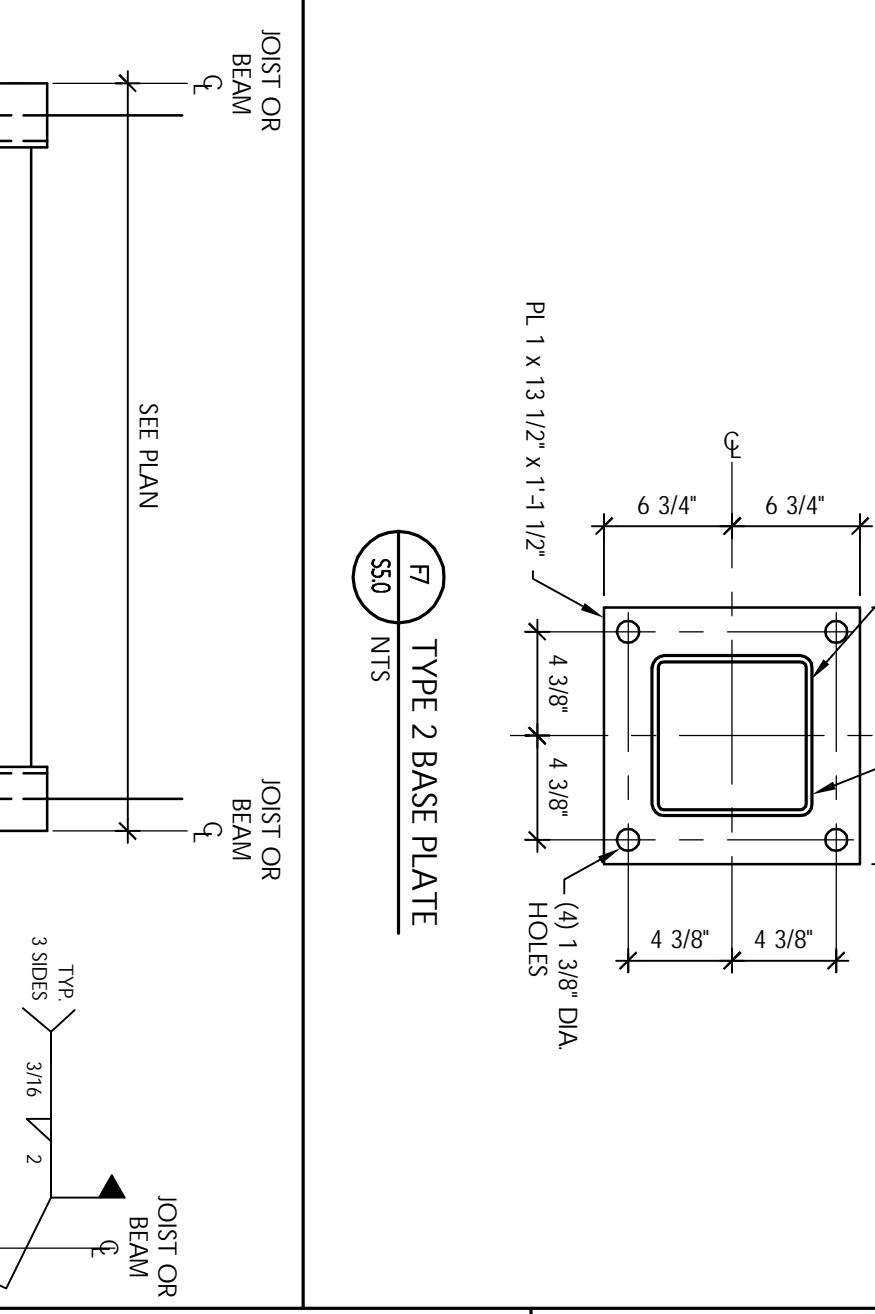
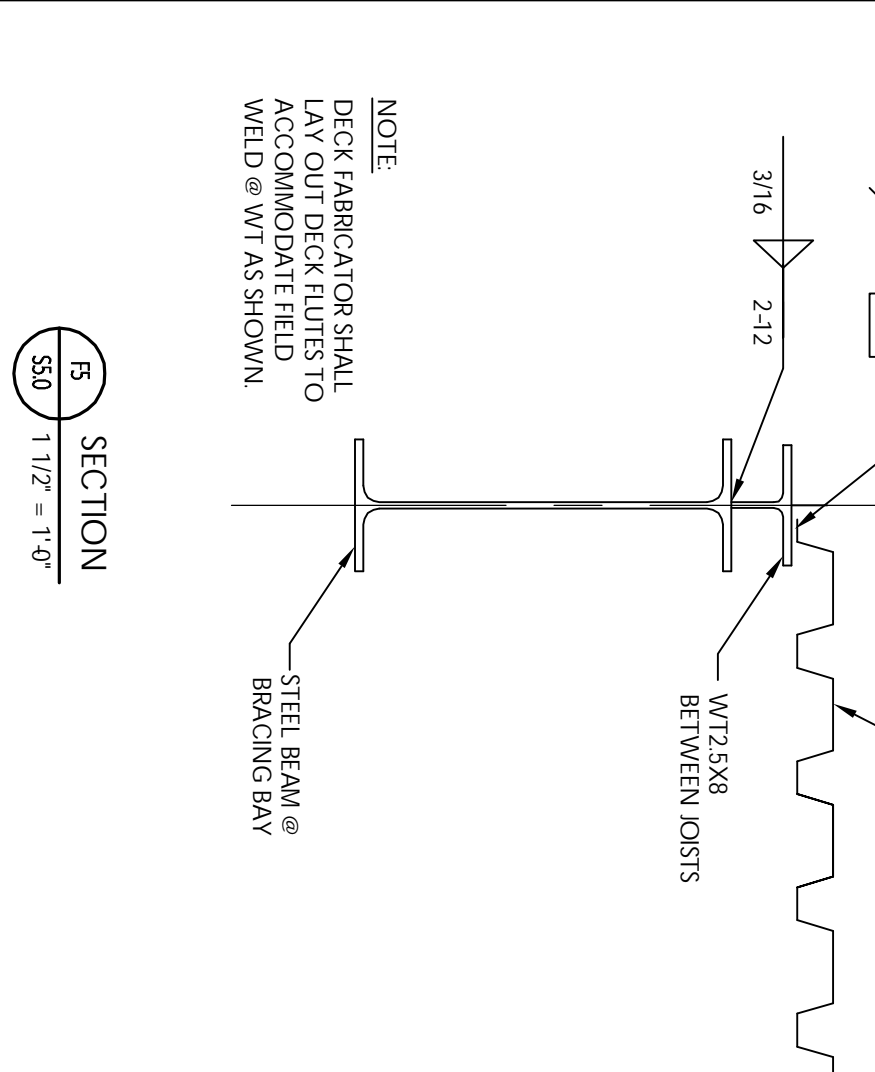
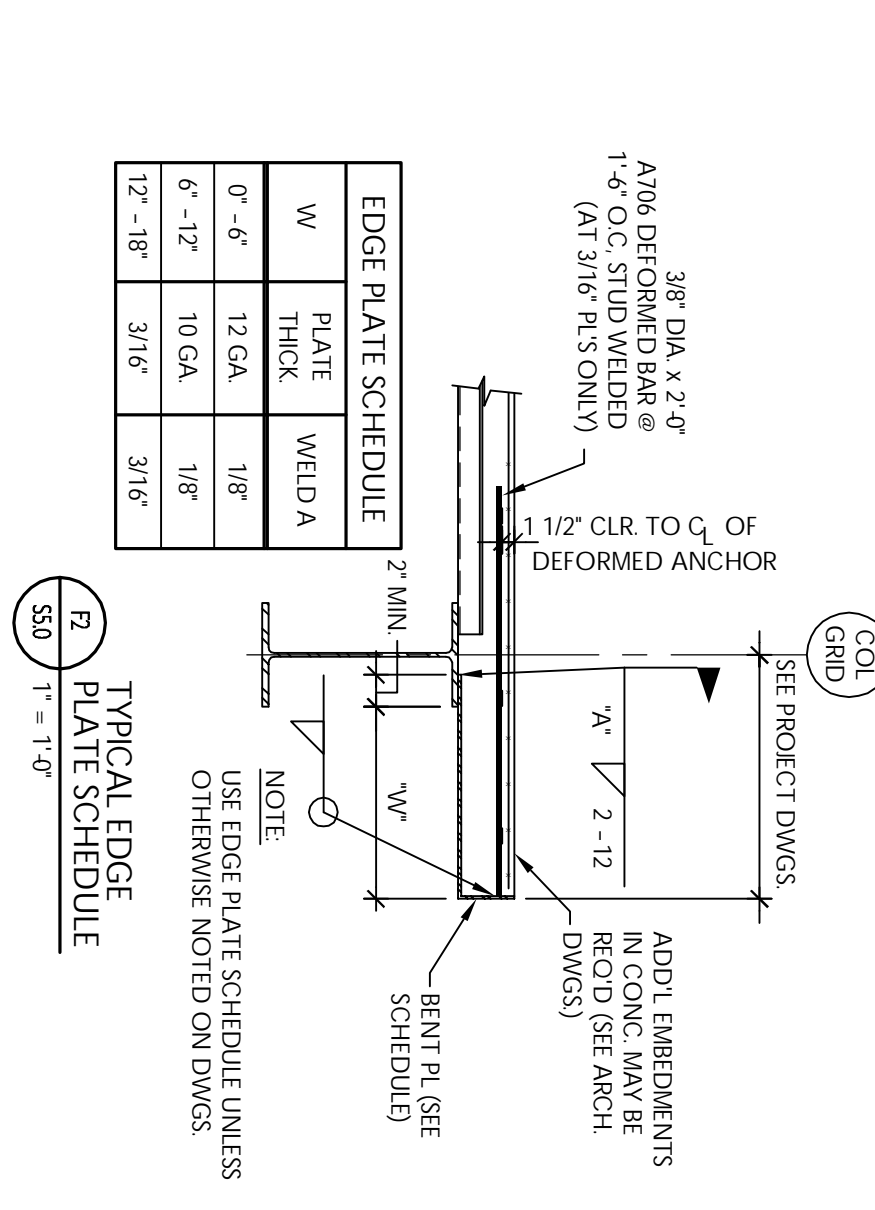
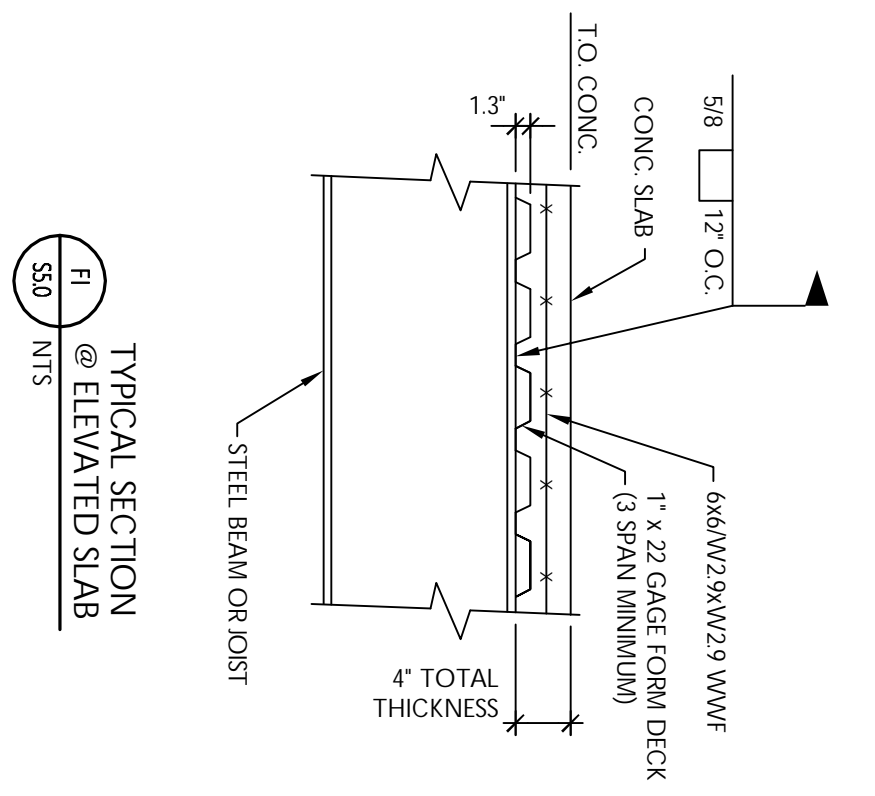
E1 ELEVATION AT LINE 1
SCALE: 1/8" = 1'-0"

E2 ELEVATION AT LINE 3
SCALE: 1/8" = 1'-0"

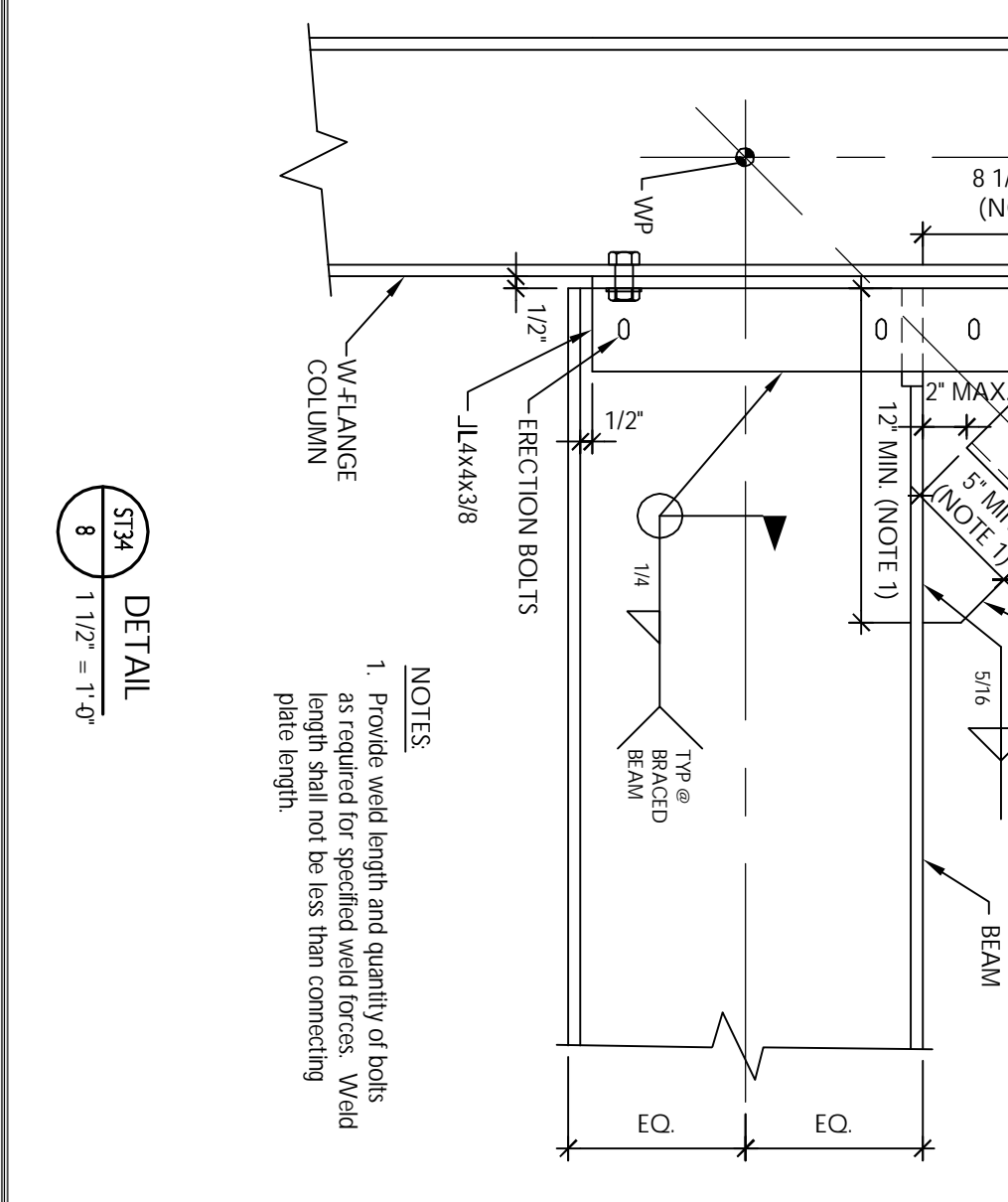
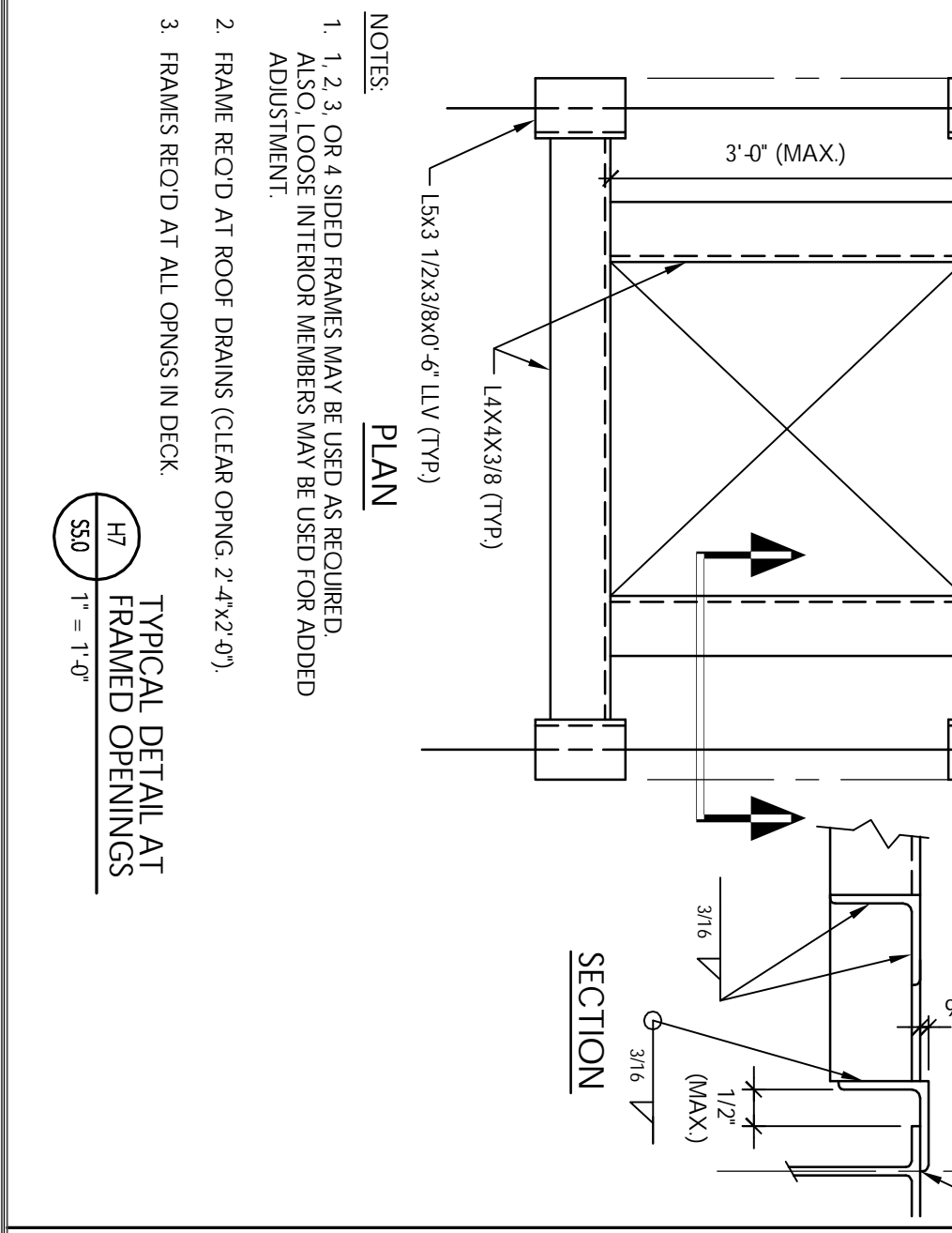
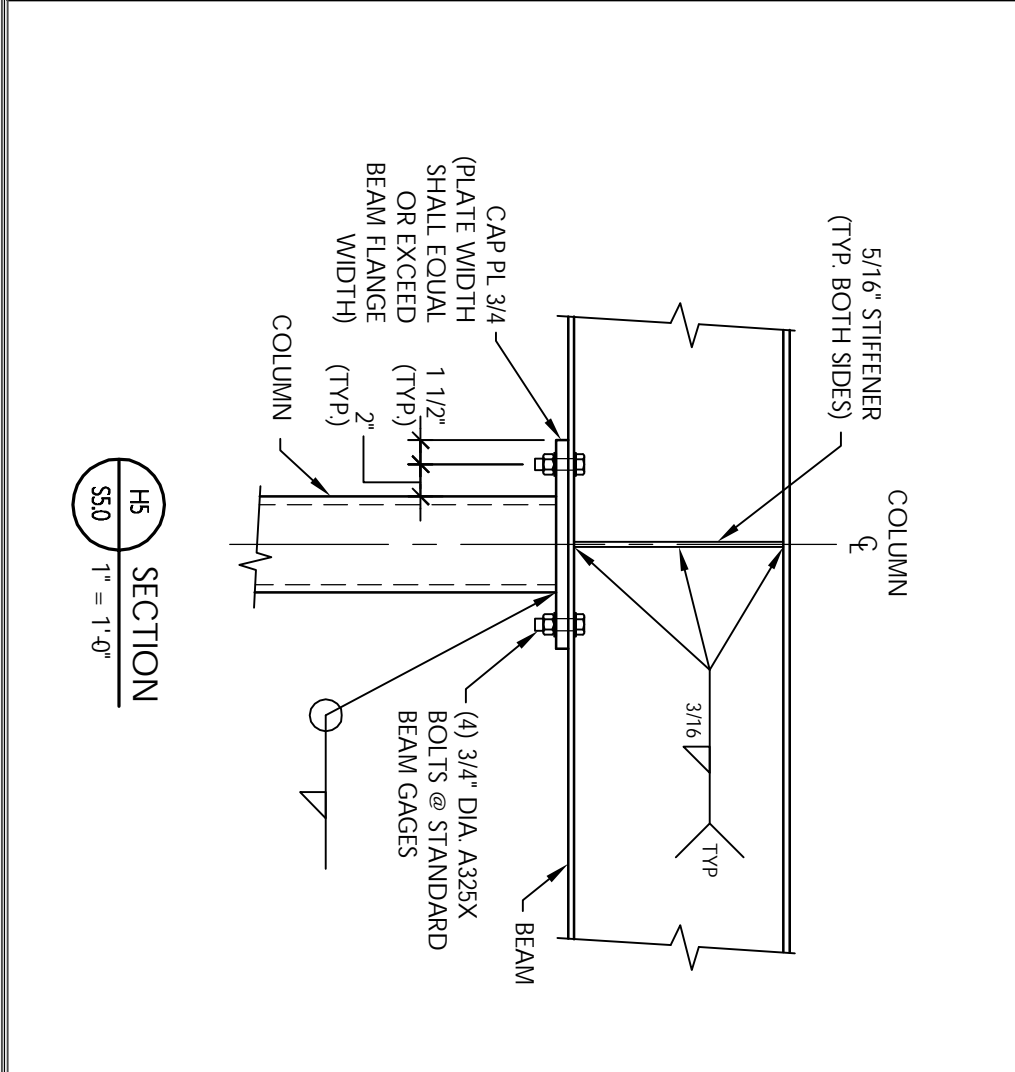
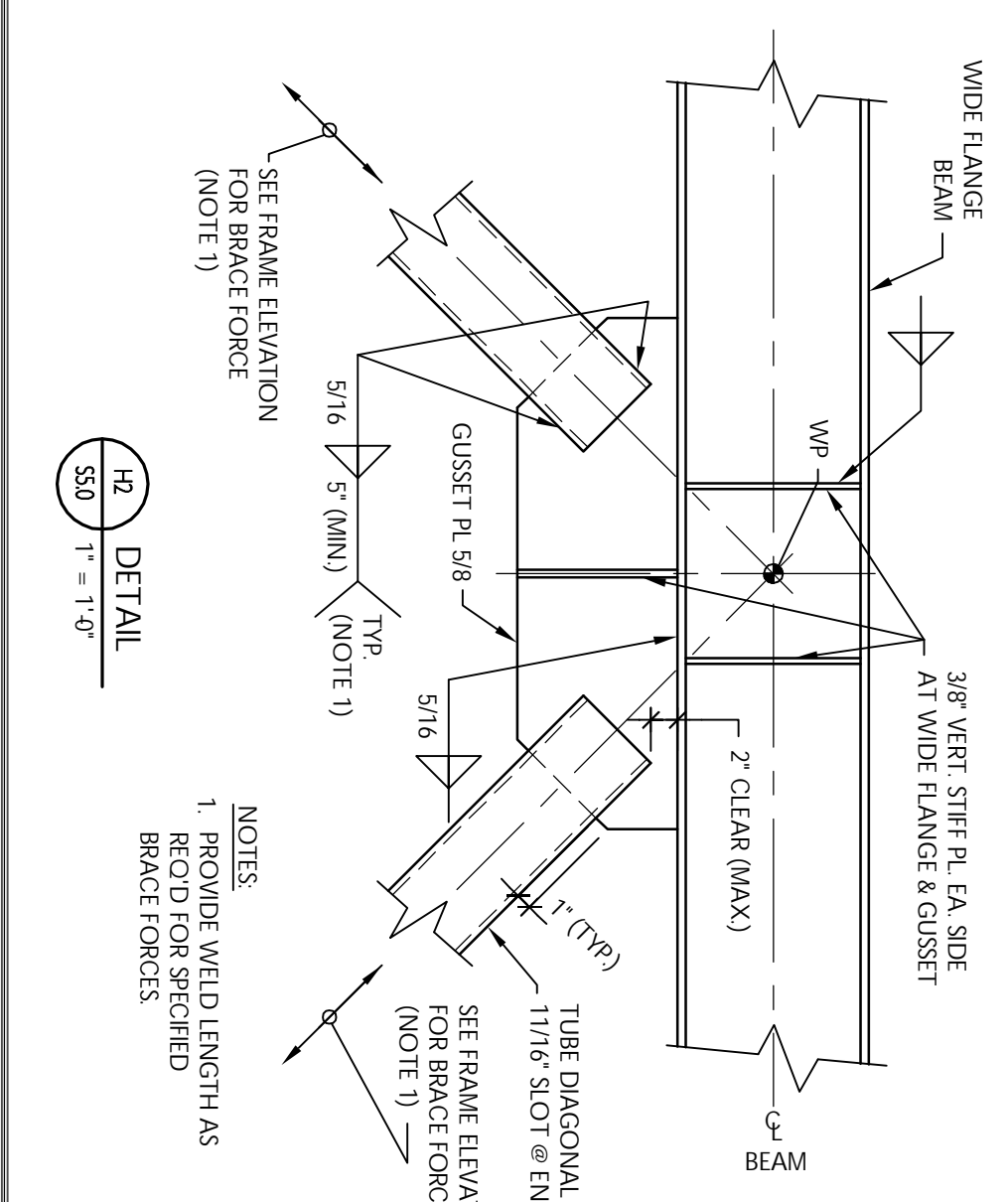
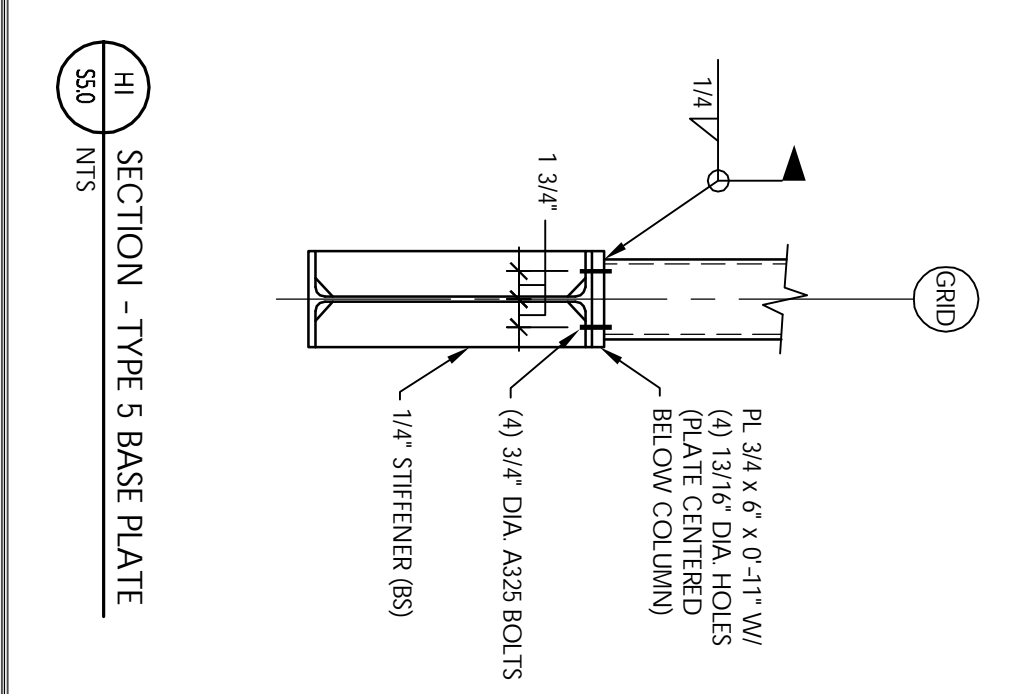
E5 ELEVATION AT LINE 5
SCALE: 1/8" = 1'-0"

E7 ELEVATION AT LINE A
SCALE: 1/8" = 1'-0"

E9 ELEVATION AT LINE E
SCALE: 1/8" = 1'-0"



PRELIMINARY
NOT FOR CONSTRUCTION
UNDER NO CIRCUMSTANCES SHALL THIS DRAWING BE USED TO DEVELOP SHOP DRAWINGS OR FABRICATE NEW MATERIALS.



CWS Architects 434 Cumberland Avenue Portland, ME 04101 Phone: (207) 774-4441 Fax: (207) 774-4016 www.CWSarch.com	TP ENGINEERS 72 Forest Edge Road Portland, ME 04107	Owner: BAYSIDE HOLDINGS, LLC 50 PORTLAND PIER SUITE 400 PORTLAND, MAINE 04101	MULTI-TENANT OFFICE BUILDING MARGINAL WAY PORTLAND, MAINE 04101		
		REVISIONS: <table border="1"> <tr> <th>Description:</th> <th>Date:</th> </tr> <tr> <td>Issued for Review</td> <td>11/4/05</td> </tr> </table>	Description:	Date:	Issued for Review
Description:	Date:				
Issued for Review	11/4/05				

Drawing Number: **S5.0**