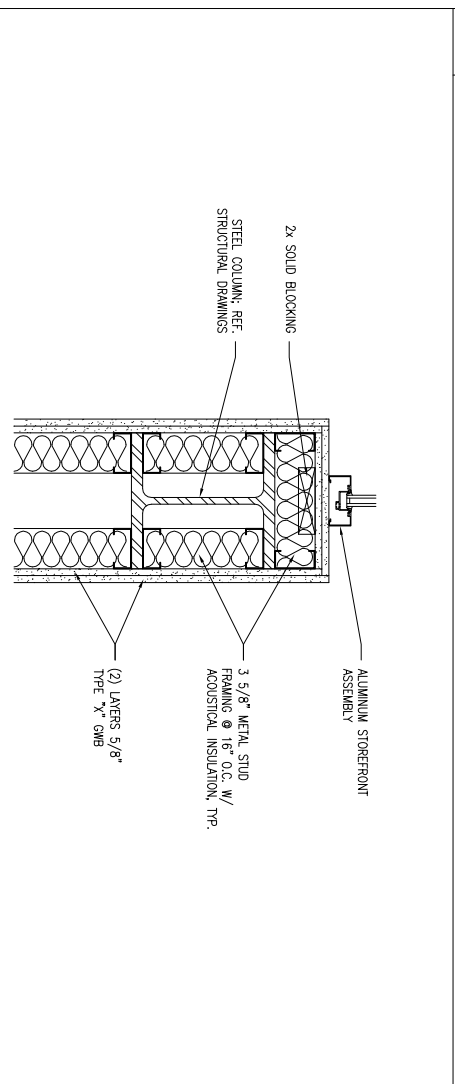
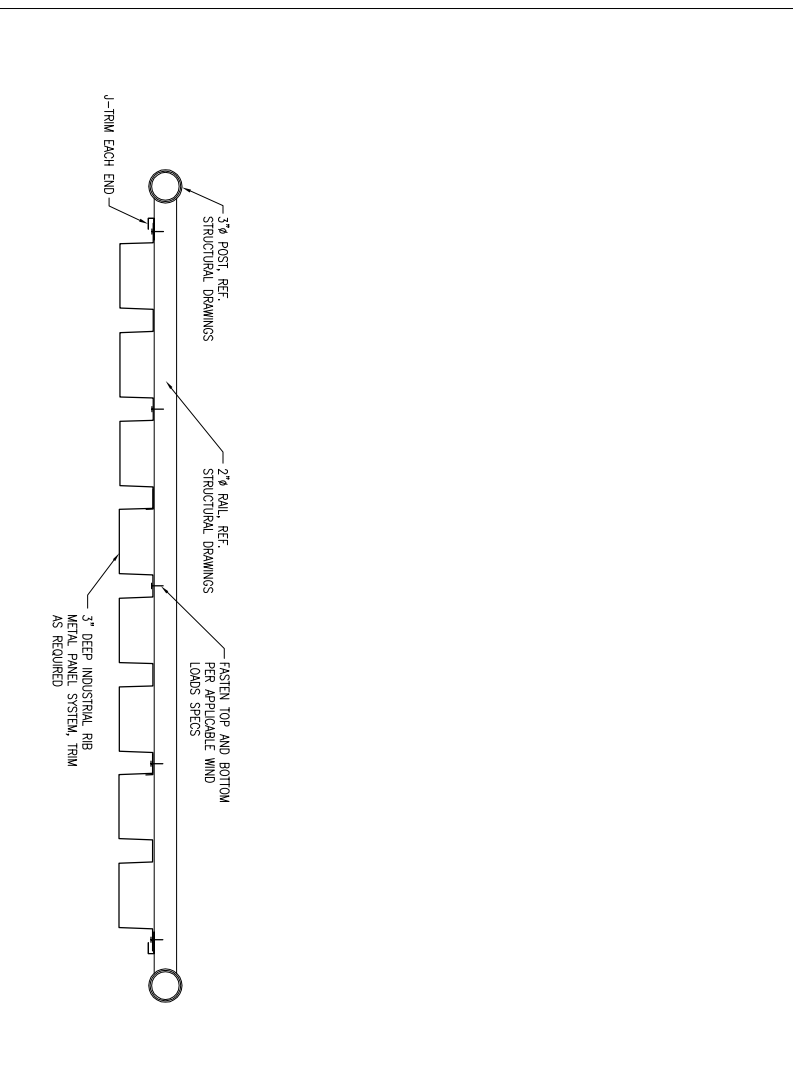


1 COLUMN FURRING DETAIL
 REFERENCED FROM:
 SCALE: 1 1/2" = 1'-0"

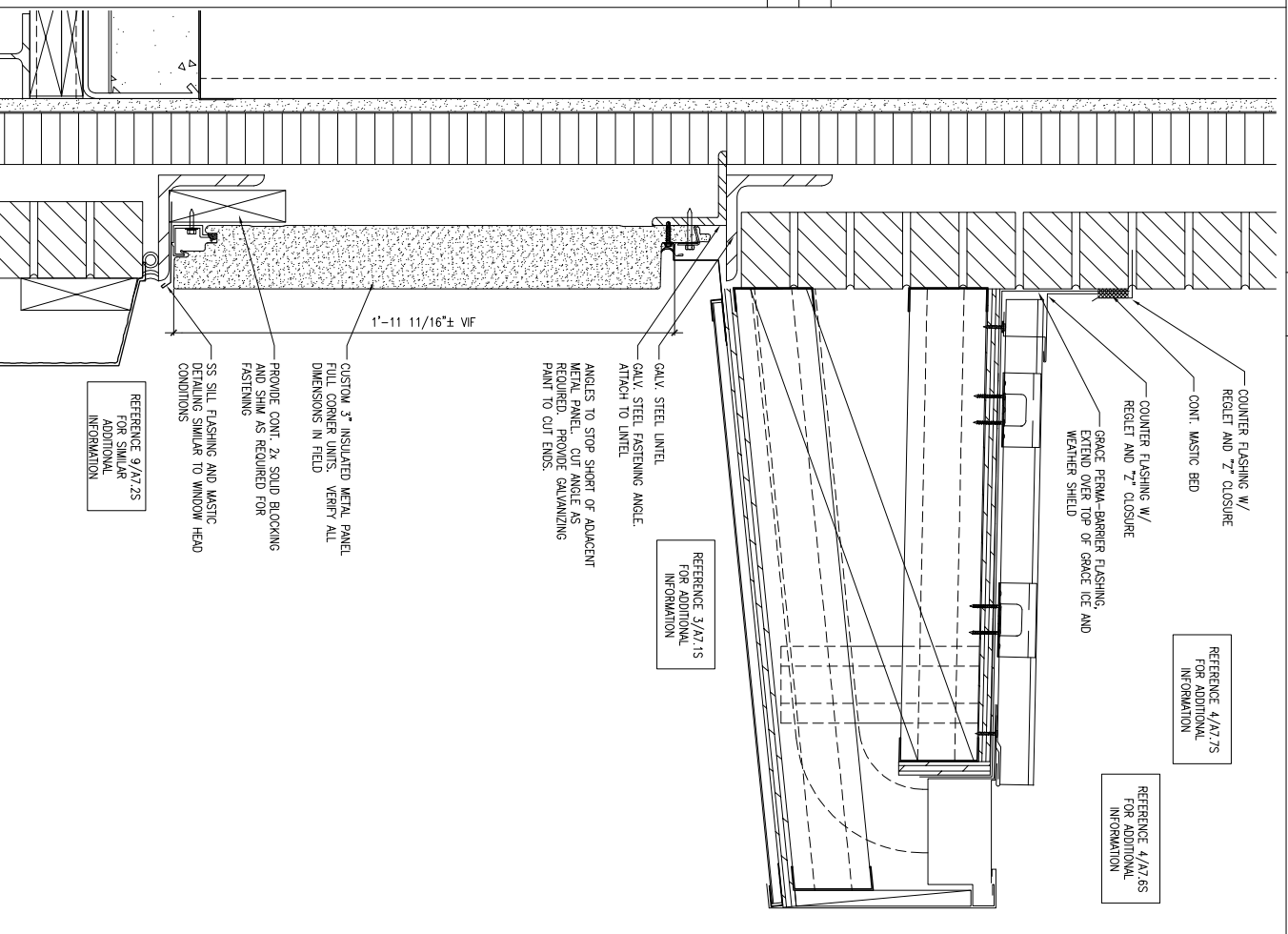
3 DETAIL @ CEILING/ALUM. STOREFRONT
 REFERENCED FROM:
 SCALE: 3" = 1'-0"



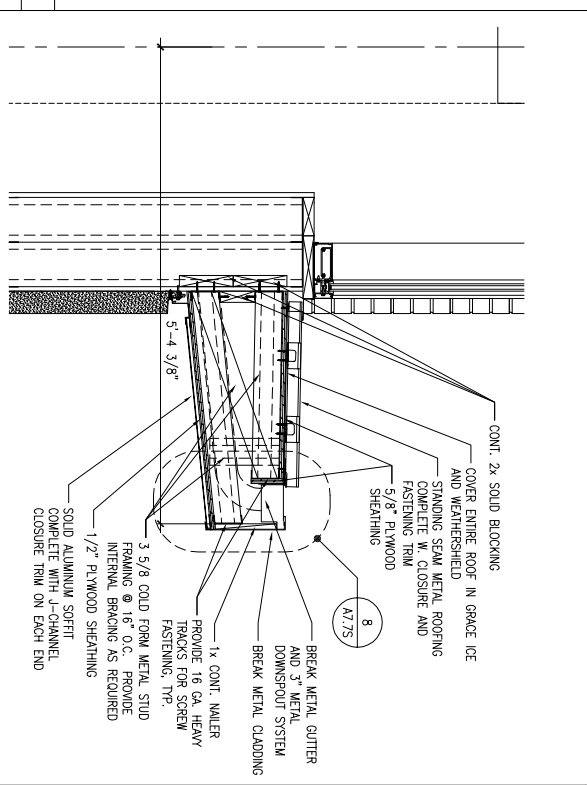
5 COLUMN FURRING DETAIL
 REFERENCED FROM:
 SCALE: 1 1/2" = 1'-0"



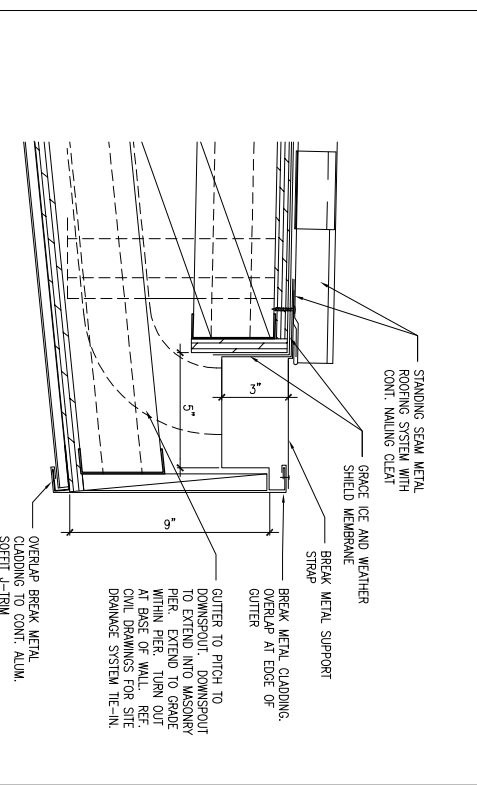
9 DETAIL @ ROOF SCREEN
 REFERENCED FROM:
 SCALE: 1 1/2" = 1'-0"



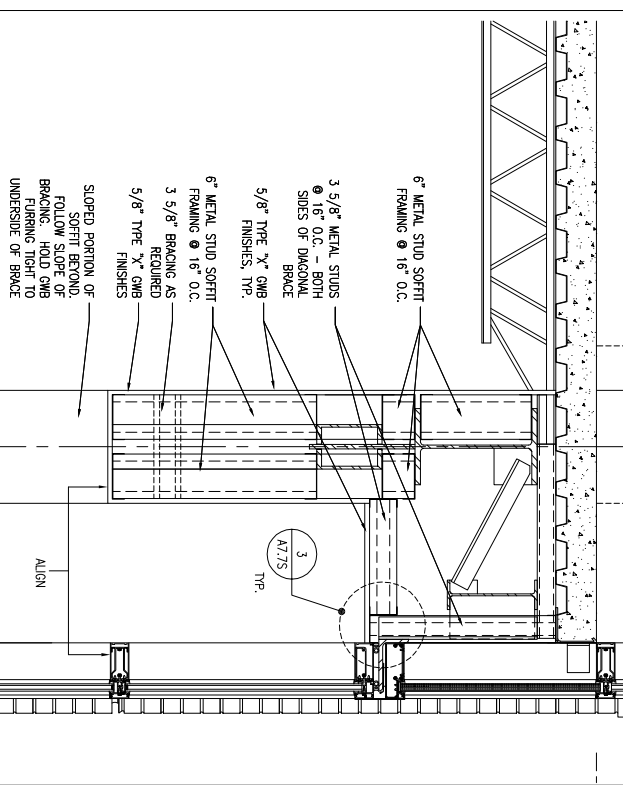
10 DETAIL @ TYP. ENTRY CANOPY PIER
 REFERENCED FROM:
 SCALE: 3" = 1'-0"



4 TYP. ROOF PROJECTION DETAIL
 REFERENCED FROM:
 SCALE: 1" = 1'-0"



8 TYP. DETAIL @ INTERNAL GUTTER/DOWNSPOUT
 REFERENCED FROM:
 SCALE: 1" = 1'-0"



12 TYP. CHAMFERED SOFFIT FRAMING DETAIL
 REFERENCED FROM:
 SCALE: 1" = 1'-0"

CWS Architects
 494 Cortland Avenue
 Portland, ME 04101
 Phone: (207) 774-4441
 Fax: (207) 774-4016
 www.CWSarch.com

63 MARGINAL WAY MULTI-TENANT OFFICE BUILDING
 63 MARGINAL WAY
 PORTLAND, MAINE
 04101

BAYSIDE VENTURES, LLC
 50 PORTLAND PIER SUITE 400
 PORTLAND, MAINE
 04101

REVISIONS

Description:	Date:

MISC. DETAILS

Scale: AS NOTED
 Date: Progress 12/08/09
 CWS Proj. No.: 04430Hmo

A7.7S

Drawing Number: