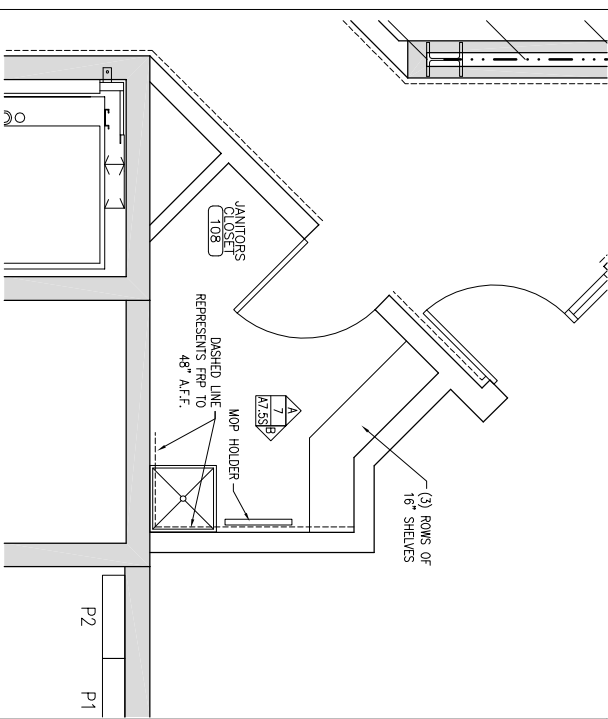
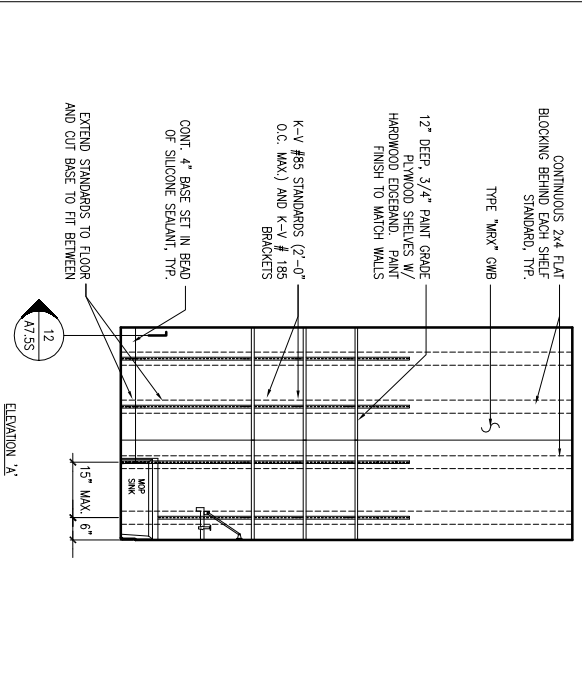


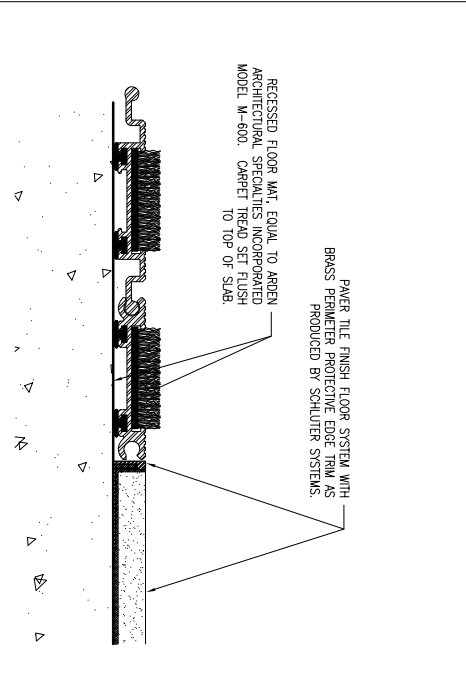
3 TYP TILE PATTERN PLAN
 REFERENCED FROM:
 SCALE: 9/4" = 1'-0"



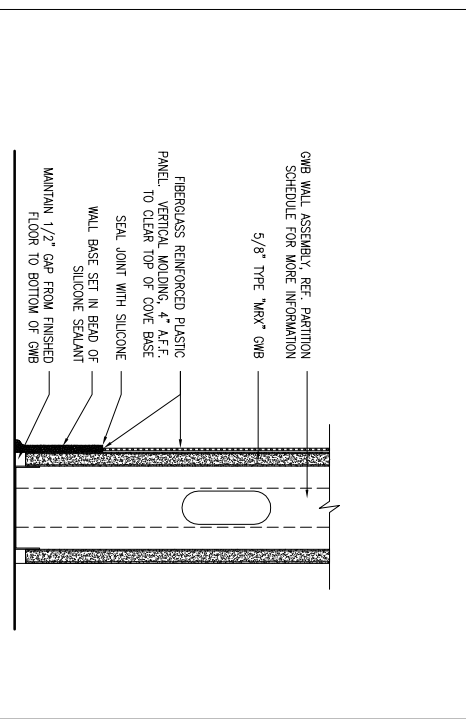
4 ENLARGED PLAN @ JANITORS CLOSET
 REFERENCED FROM:
 SCALE: 9/8" = 1'-0"



7 INTERIOR ELEVATIONS @ JANITORS CLOSET
 REFERENCED FROM:
 SCALE: 1/2" = 1'-0"



11 TYP. DETAIL @ ENTRY FLOOR MATS
 REFERENCED FROM:
 SCALE: 1" = 1"



12 DETAIL @ FRP AND WALL BASE
 REFERENCED FROM:
 SCALE: 3" = 1'-0"

| REVISIONS | |
|--------------|-------|
| Description: | Date: |
| | |
| | |
| | |

Owner:
BAYSIDE VENTURES, LLC
 50 PORTLAND PIER
 SUITE 400
 PORTLAND, MAINE
 04101

63 MARGINAL WAY
MULTI-TENANT
OFFICE BUILDING
 63 MARGINAL WAY
 PORTLAND, MAINE
 04101

454 Cumberland Avenue
 Portland, ME 04101
 Phone: (207) 774-4441
 Fax: (207) 774-4016
 www.CWSarch.com



Drawing Title:
MISC. PLANS, ELEVATIONS, AND DETAILS
 Scale: AS NOTED
 Date: Progress 12/05/05
 CWS Proj. No.: 04430.hmo

Drawing Number:
A7.55