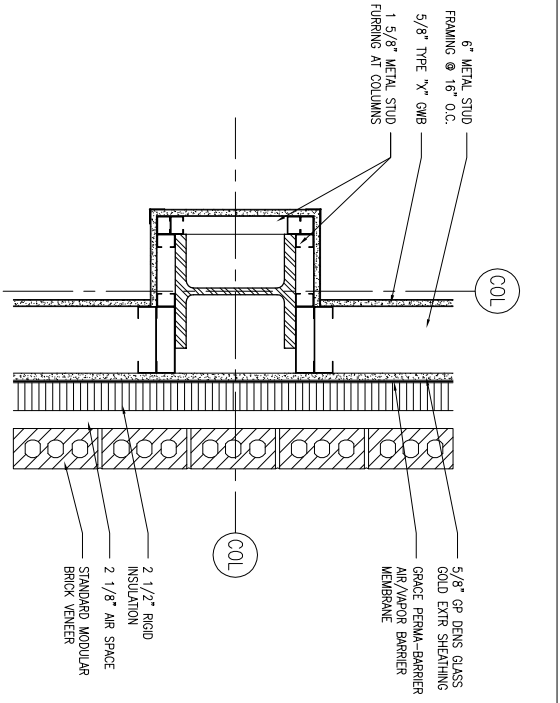
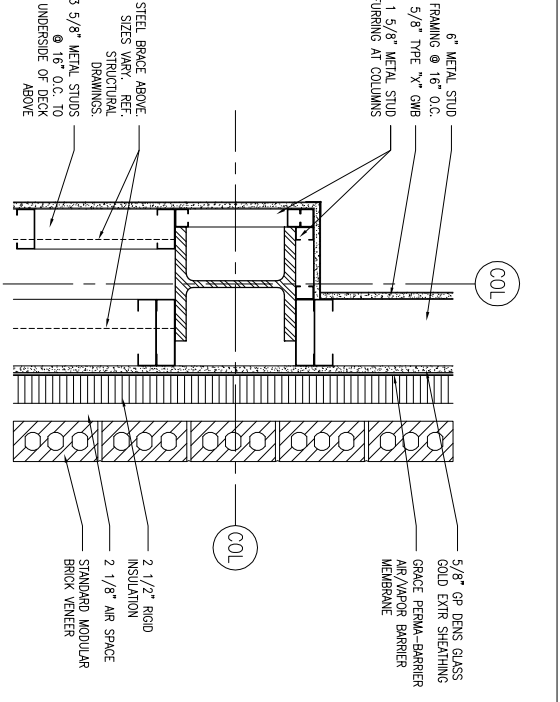


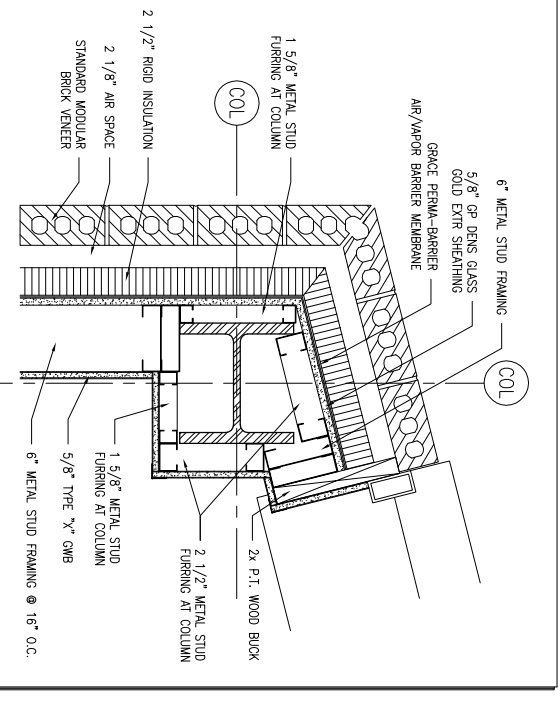
1 PLAN DETAIL @ TYP. COLUMN ENCLOSURE
SCALE: 1/2" = 1'-0"



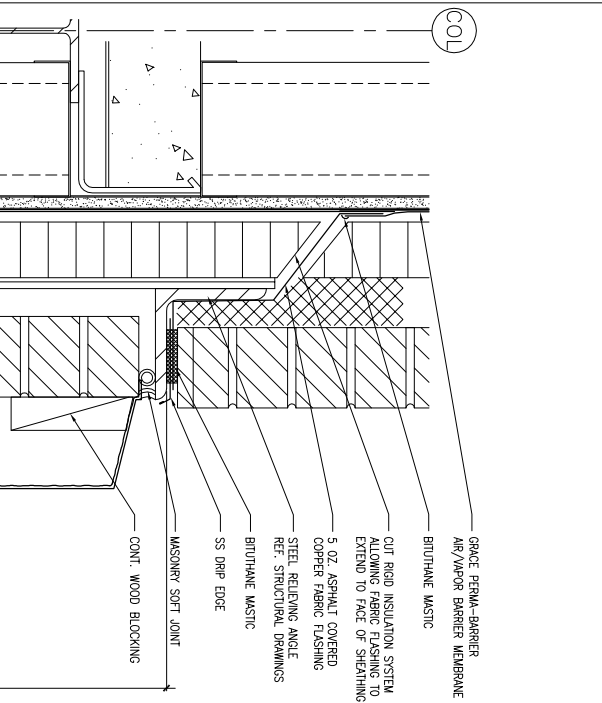
2 PLAN DETAIL @ TYP. COLUMN ENCLOSURE
SCALE: 1/2" = 1'-0"



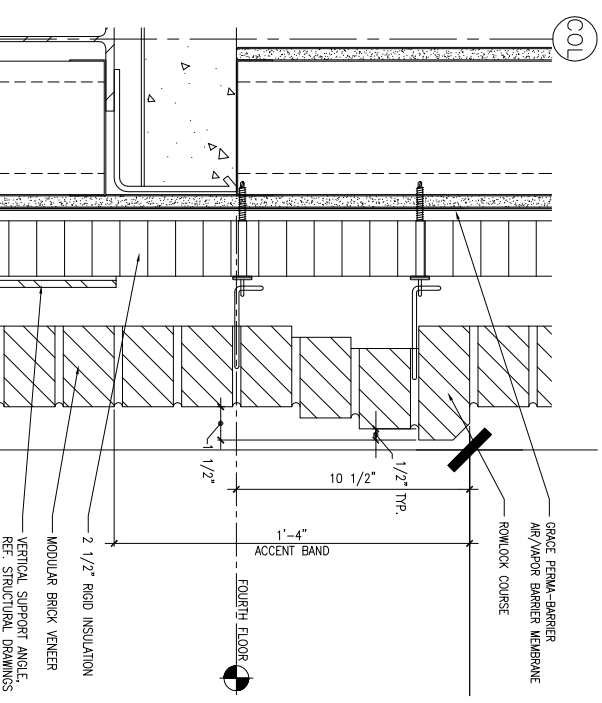
3 DETAIL @ TYP. COLUMN & BRACE ENCLOSURE
SCALE: 1/2" = 1'-0"



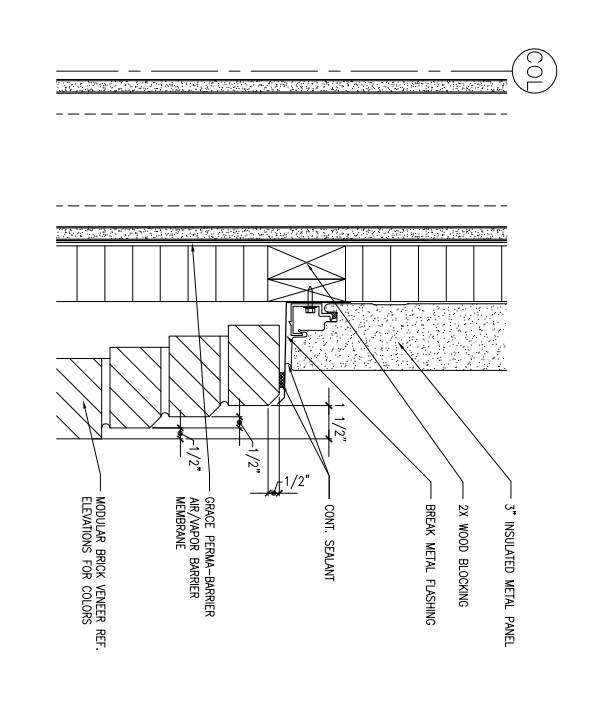
4 DETAIL @ COLUMN ENCLOSURE
SCALE: 1/2" = 1'-0"



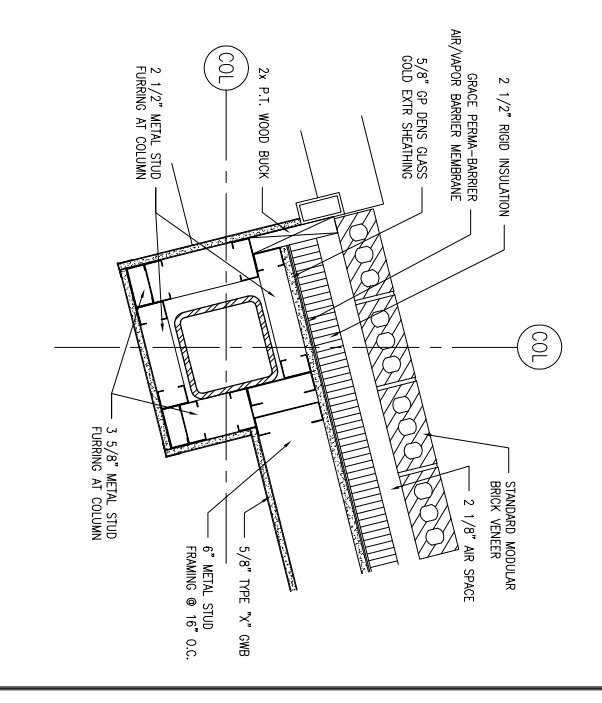
9 TYPICAL CORNICE DETAIL
SCALE: 3/4" = 1'-0"



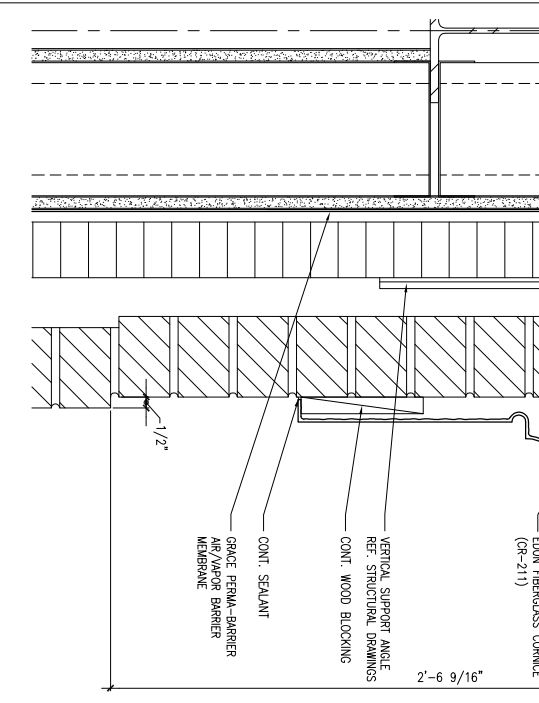
6 VENEER CORBEL DETAIL
SCALE: 3/4" = 1'-0"



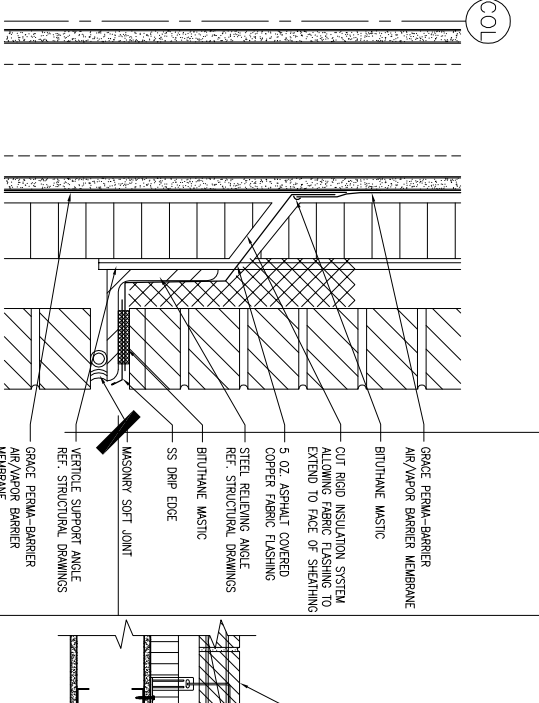
7 TYP. BOTTOM OF METAL PANEL FLASHING DET.
SCALE: 3/4" = 1'-0"



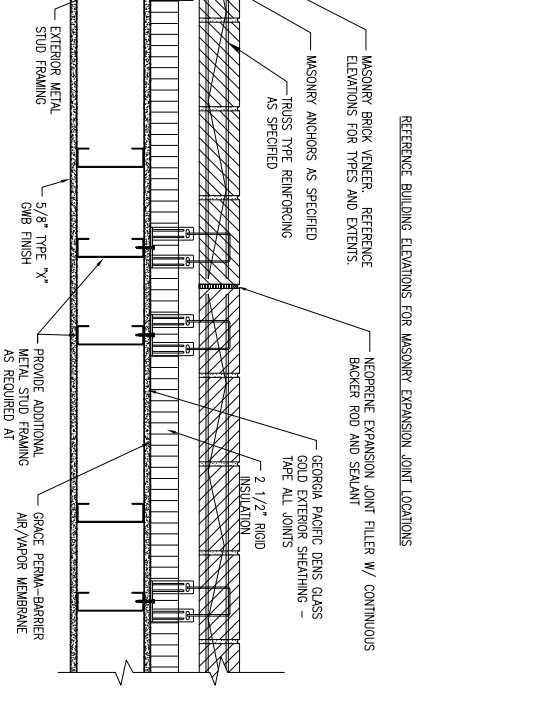
8 DETAIL @ COLUMN ENCLOSURE
SCALE: 1/2" = 1'-0"



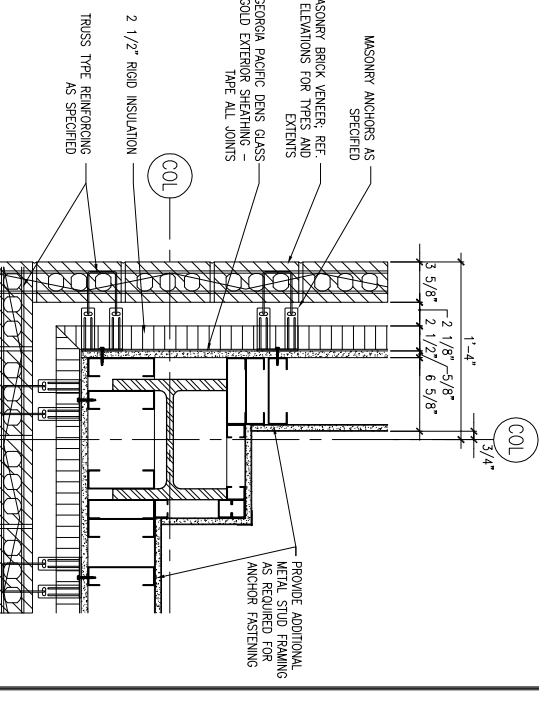
10 TYPICAL RELIEVING ANGLE DETAIL
SCALE: 3/4" = 1'-0"



11 TYP. MASONRY CONTROL JOINT DETAIL
SCALE: 1/2" = 1'-0"



12 TYP. MASONRY WALL ASSY DETAIL
SCALE: 1/2" = 1'-0"



12 TYP. MASONRY WALL ASSY DETAIL
SCALE: 1/2" = 1'-0"

CWS Architects
454 Commercial Avenue
Portland, ME 04101
Phone: (207) 774-4441
Fax: (207) 774-4016
www.cwsarch.com

63 MARGINAL WAY MULTI-TENANT OFFICE BUILDING
63 MARGINAL WAY
PORTLAND, MAINE
04101

BAYSIDE VENTURES, LLC
50 PORTLAND PIER
SUITE 400
PORTLAND, MAINE
04101

REVISIONS:	
Description:	Date:

Drawing Title:
MISC. DETAILS

Scale: 1 1/2" = 1'-0"

Date: Progress 12/09/09
CWS Proj. No.: 044301mo

Drawing Number:
A7.2S