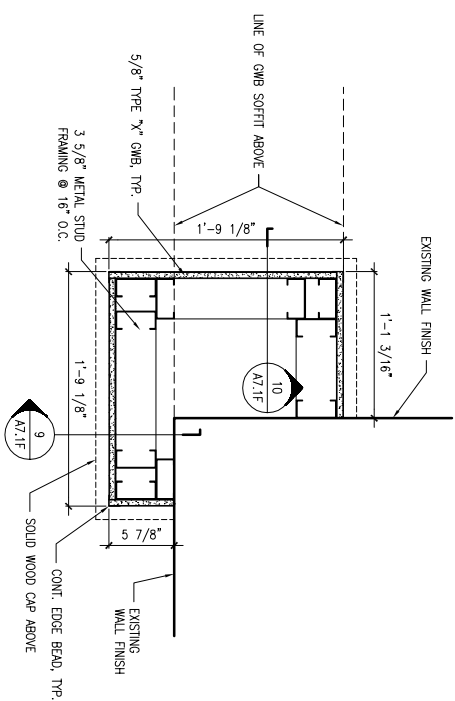


1 DETAIL @ TYP. TOE KICK

SCALE: 3" = 1'-0"

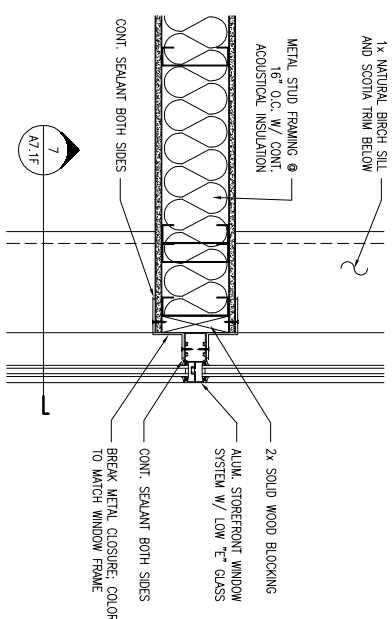
2 PLAN DETAIL @ COLUMN FURRING

SCALE: 1/2" = 1'-0"



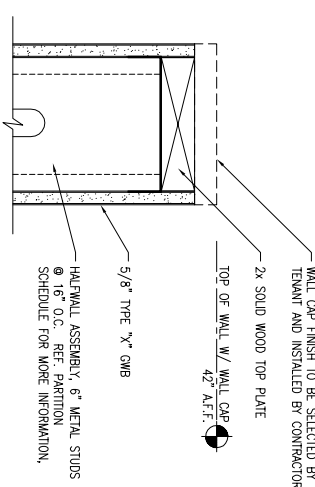
3 WINDOW MULLION/WALL PLAN DETAIL

SCALE: 1/2" = 1'-0"



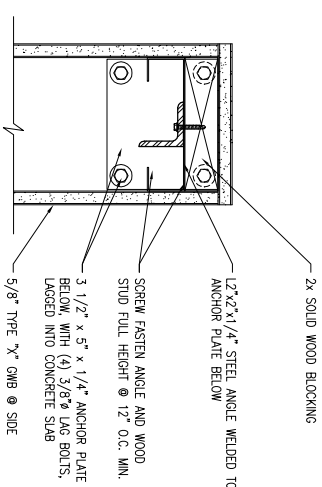
4 DETAIL @ TOP OF HALFALL

SCALE: 3" = 1'-0"



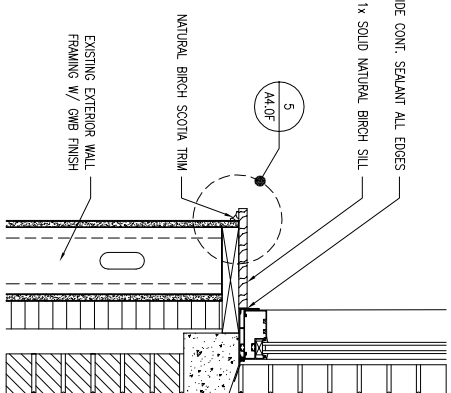
8 DETAIL @ END OF HALFALL

SCALE: 3" = 1'-0"



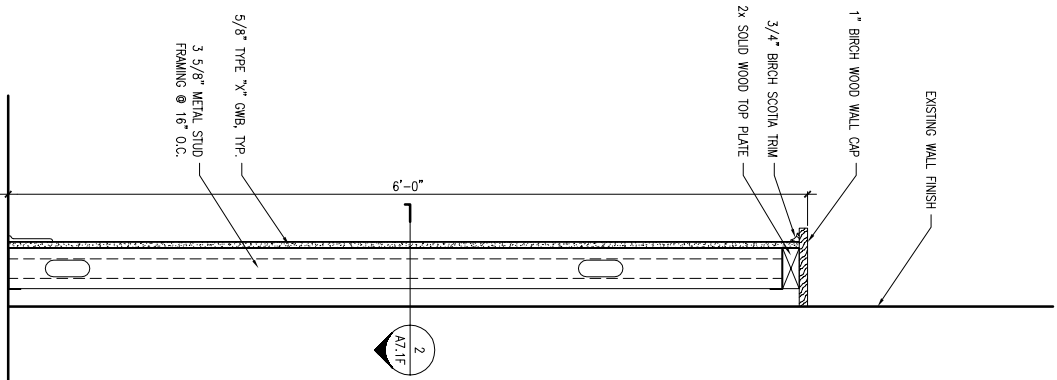
7 WINDOW MULLION/WALL SECTION DETAIL

SCALE: 1/2" = 1'-0"



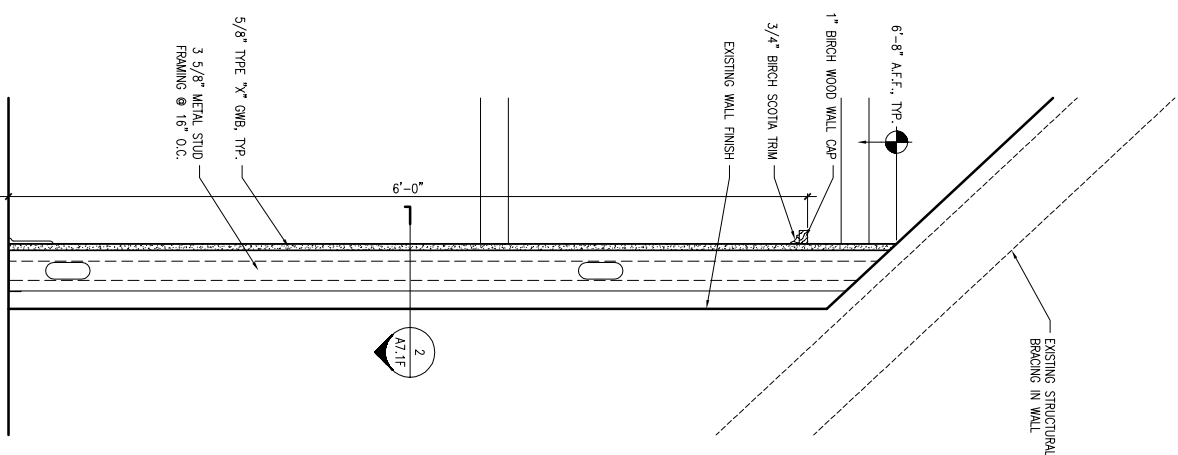
9 SECTION DETAIL @ COLUMN FURRING

SCALE: 1/2" = 1'-0"



10 SECTION DETAIL @ COLUMN FURRING

SCALE: 1/2" = 1'-0"

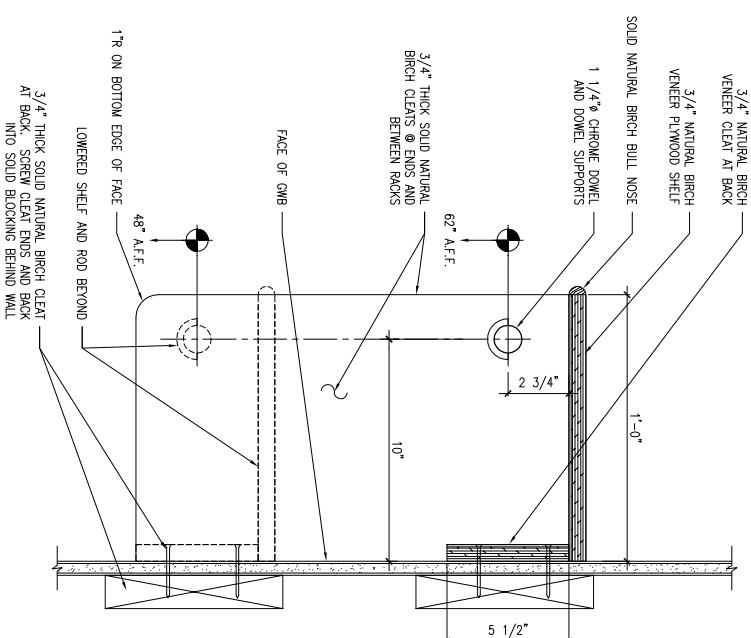


11 NOT USED

SCALE:

12 ROD AND SHELF DETAIL

SCALE: 3" = 1'-0"



REVISIONS

| Description: | Date: |
|--------------|-------|
| | |
| | |
| | |

Owner:

BAYSIDE VENTURES, LLC
50 PORTLAND PIER
SUITE 400
PORTLAND, MAINE
04101

63 MARGINAL WAY
MULTI-TENANT
OFFICE BUILDING
63 MARGINAL WAY
PORTLAND, MAINE
04101



494 Cumberland Avenue
Portland, ME 04101
Phone: (207) 774-4441
Fax: (207) 774-4016
www.CWISarch.com

Drawing Title:
MISC. DETAILS

Scale: AS NOTED
Date: Progress 12/05/05
CW5 Proj. No.: 04430.hmo

Drawing Number:

A7.1F