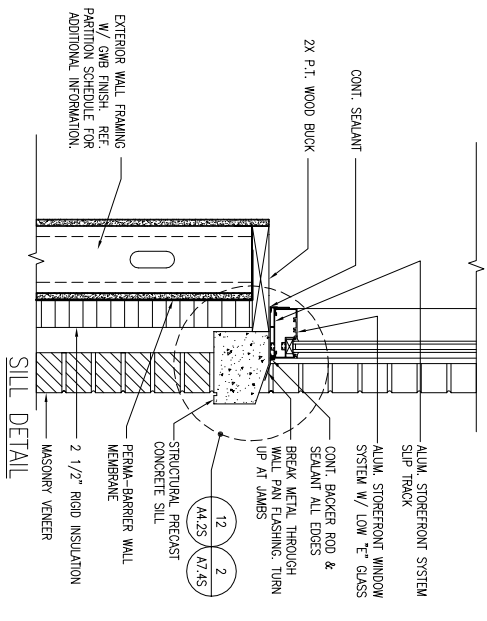
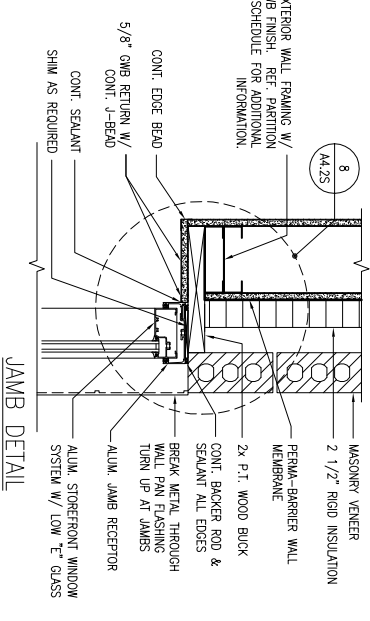
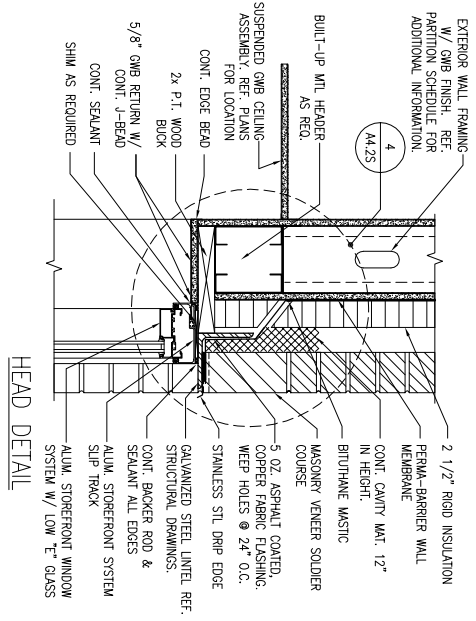
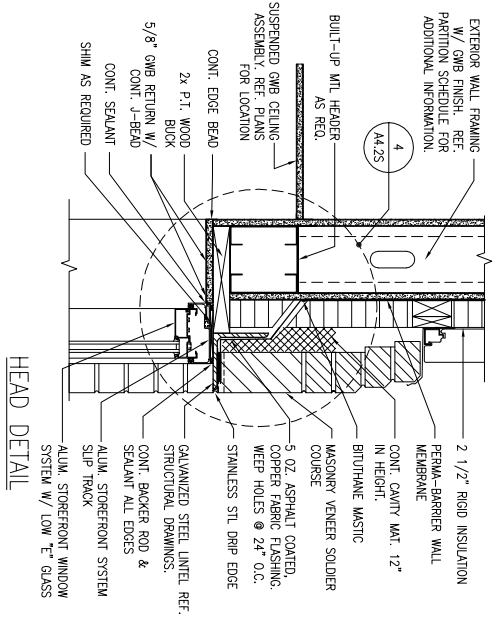


**5** WINDOW TYP. "F" ELEVATIONS AND SECTIONS  
 REFERENCED FROM:  
 SCALE: 1/2" = 1'-0"

**9** NOT USED  
 REFERENCED FROM:  
 SCALE:

**10** NOT USED  
 REFERENCED FROM:  
 SCALE:



**11** TYPICAL - HEAD, JAMB AND SILL DETAILS  
 REFERENCED FROM:  
 SCALE: 1/2" = 1'-0"

**4** NOT USED  
 REFERENCED FROM:  
 SCALE:

**8** NOT USED  
 REFERENCED FROM:  
 SCALE:

**12** NOT USED  
 REFERENCED FROM:  
 SCALE:

REVISIONS:	
Description:	Date:

Owner:  
**BAYSIDE VENTURES, LLC**  
 50 PORTLAND PIER  
 SUITE 400  
 PORTLAND, MAINE  
 04101

**63 MARGINAL WAY**  
**MULTI-TENANT**  
**OFFICE BUILDING**  
 63 MARGINAL WAY  
 PORTLAND, MAINE  
 04101

434 Cumberland Avenue  
 Portland, ME 04101  
 Phone: (207) 774-4441  
 Fax: (207) 774-4016  
 www.CWSarch.com

**CWS Architects**

Drawing Title:  
**WINDOW ELEVATIONS & DETAILS**  
 Scale: AS NOTED  
 Date: Progress 12/08/05  
 CWS Proj. No.: 04430.hmo

Drawing Number:  
**A4.7S**