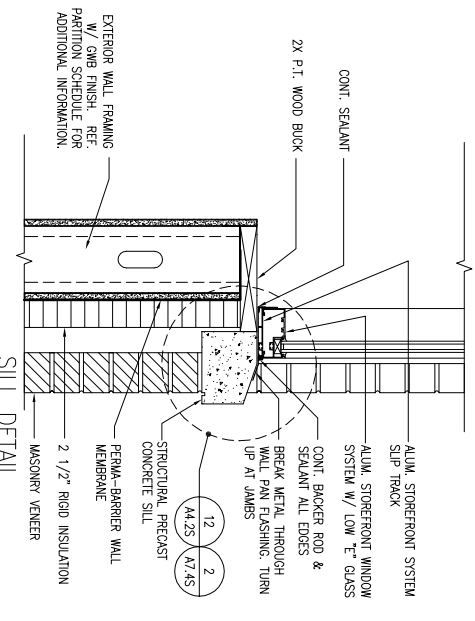
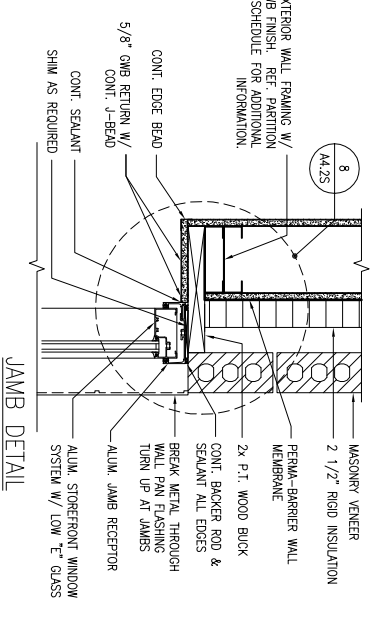
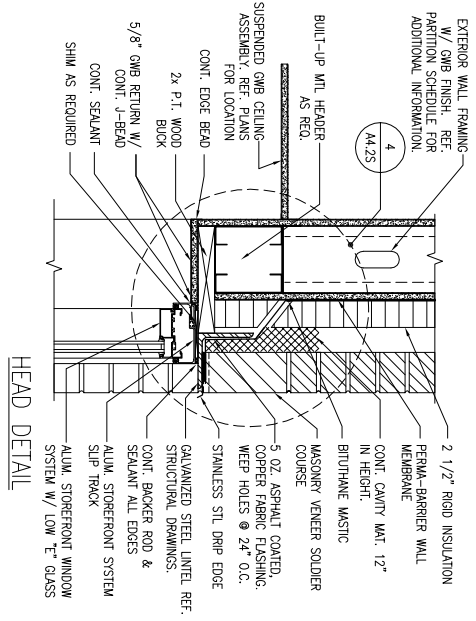
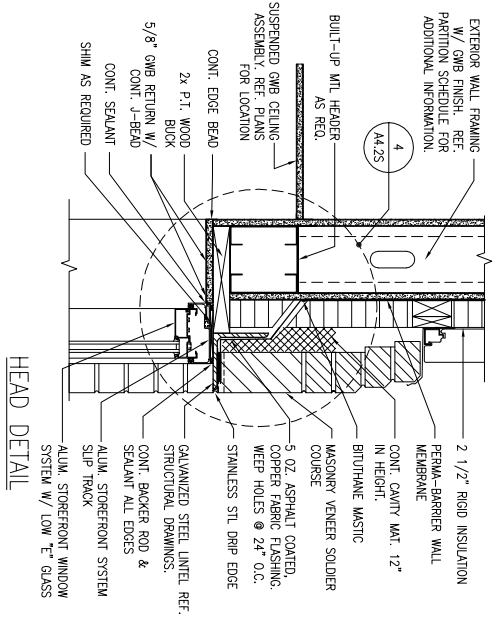


**5 WINDOW TYP. "E" ELEVATIONS AND SECTIONS**  
 REFERENCED FROM:  
 SCALE: 1/2" = 1'-0"

**9 NOT USED**  
 REFERENCED FROM:  
 SCALE:

**10 NOT USED**  
 REFERENCED FROM:  
 SCALE:



**11 TYPICAL - HEAD, JAMB AND SILL DETAILS**  
 REFERENCED FROM:  
 SCALE: 1/2" = 1'-0"

**4 NOT USED**  
 REFERENCED FROM:  
 SCALE:

**8 NOT USED**  
 REFERENCED FROM:  
 SCALE:

**12 NOT USED**  
 REFERENCED FROM:  
 SCALE:



494 Cumberland Avenue  
 Portland, ME 04101  
 Phone: (207) 774-4441  
 Fax: (207) 774-4016  
 www.CWSarch.com

**63 MARGINAL WAY  
 MULTI-TENANT  
 OFFICE BUILDING**  
 63 MARGINAL WAY  
 PORTLAND, MAINE  
 04101

**BAYSIDE  
 VENTURES, LLC**  
 50 PORTLAND PIER  
 SUITE 400  
 PORTLAND, MAINE  
 04101

REVISIONS:	
Description:	Date:

Drawing Title:  
**WINDOW  
 ELEVATIONS &  
 DETAILS**  
 Scale: AS NOTED  
 Date: Progress 12/08/09  
 CWS Proj. No.: 04430.hmo

Drawing Number:  
**A4.6S**