

5 WINDOW TYP. "C" ELEVATIONS AND SECTIONS
 REFERENCED FROM:

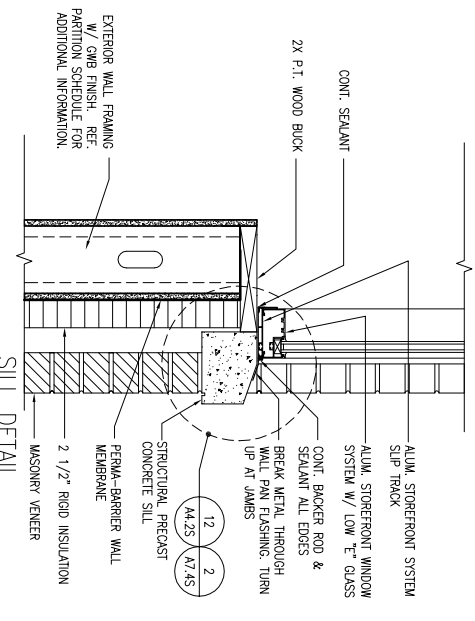
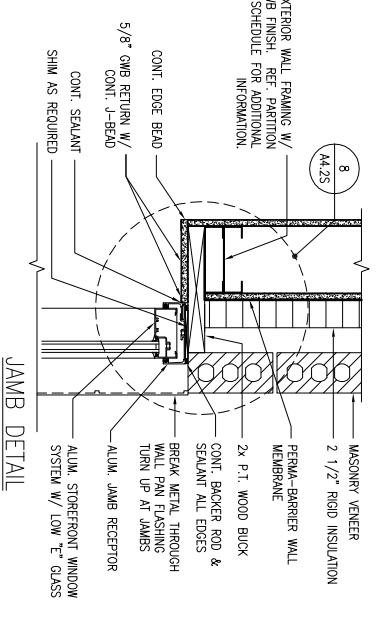
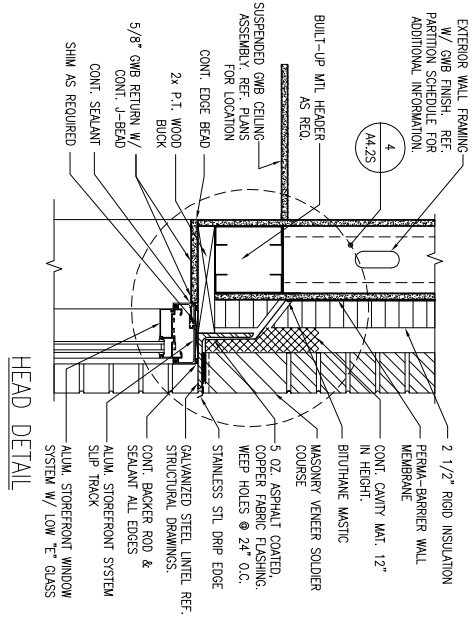
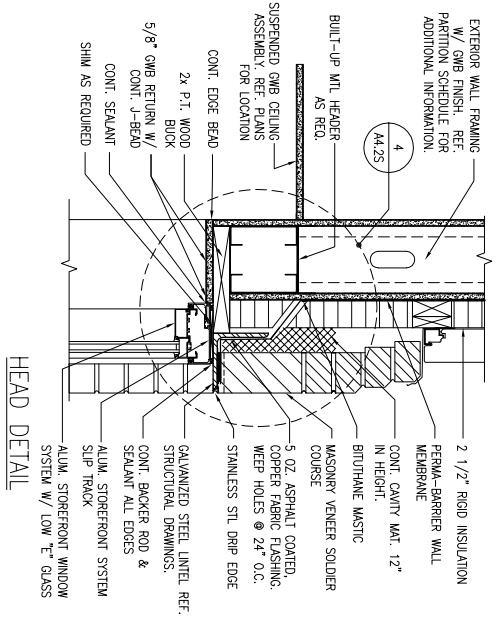
SCALE: 1/2" = 1'-0"

9 NOT USED
 REFERENCED FROM:

SCALE:

10 NOT USED
 REFERENCED FROM:

SCALE:



11 TYPICAL - HEAD, JAMB AND SILL DETAILS
 REFERENCED FROM:

SCALE: 1 1/2" = 1'-0"

4 NOT USED
 REFERENCED FROM:

SCALE:

8 NOT USED
 REFERENCED FROM:

SCALE:

12 NOT USED
 REFERENCED FROM:

SCALE:

CWS Architects
 494 Portland Avenue
 Portland, ME 04101
 Phone: (207) 774-4441
 Fax: (207) 774-4016
 www.CWSarch.com

63 MARGINAL WAY MULTI-TENANT OFFICE BUILDING
 63 MARGINAL WAY
 PORTLAND, MAINE
 04101

BAYSIDE VENTURES, LLC
 50 PORTLAND PIER
 SUITE 400
 PORTLAND, MAINE
 04101

REVISIONS	
Description:	Date:

Drawing Title:
WINDOW ELEVATIONS & DETAILS
 Scale: AS NOTED
 Date: Progress 12/08/09
 CWS Proj. No.: 04430.hmo

Drawing Number:
A4.4S