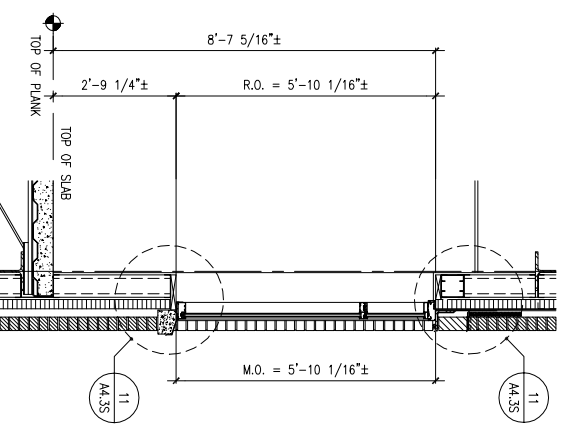
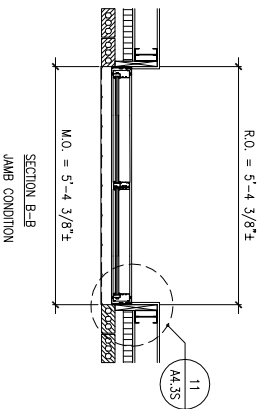


ALUM. STOREFRONT WINDOW



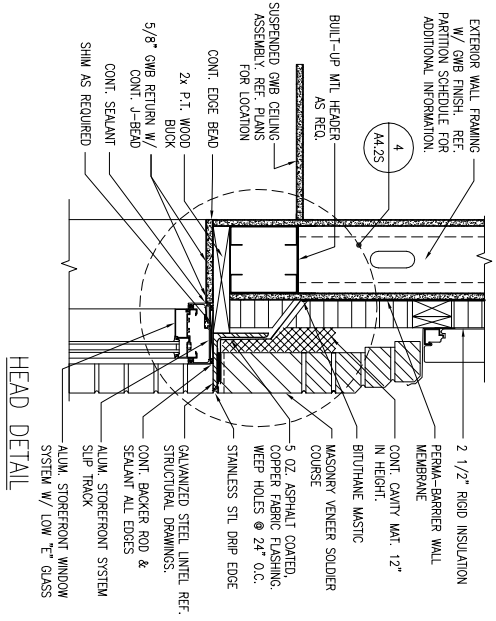
SECTION A-A
HEAD AND SILL CONDITION



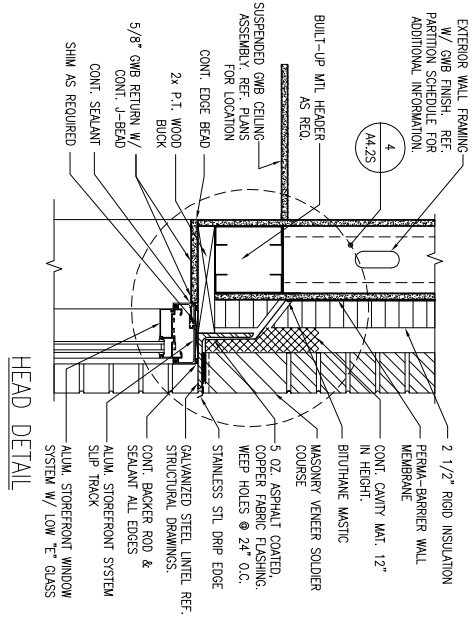
SECTION B-B
JAMB CONDITION

5 WINDOW TYP. "B" ELEVATIONS AND SECTIONS
REFERENCED FROM:

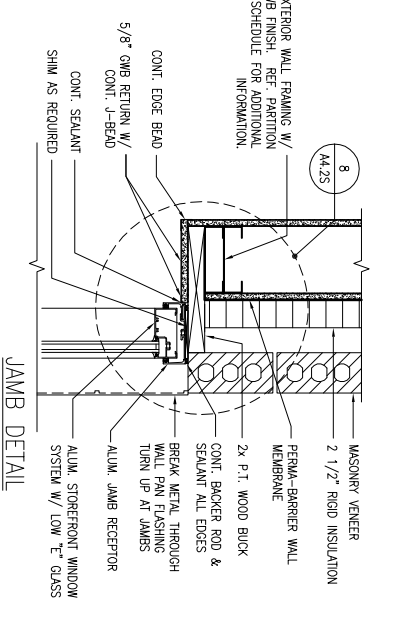
SCALE: 1/2" = 1'-0"



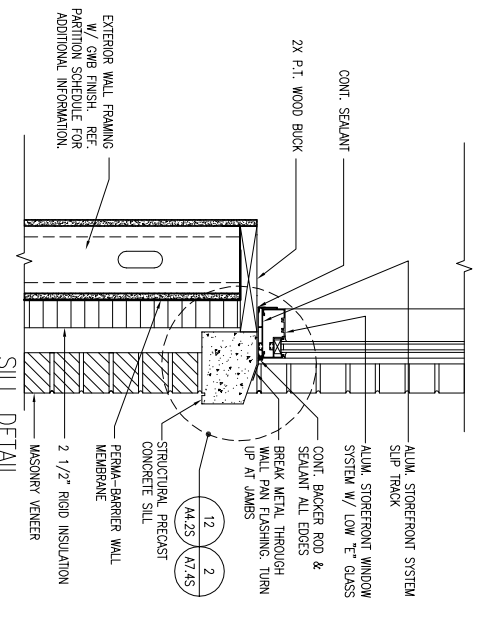
HEAD DETAIL



HEAD DETAIL



JAMB DETAIL



SILL DETAIL

9 NOT USED
REFERENCED FROM:

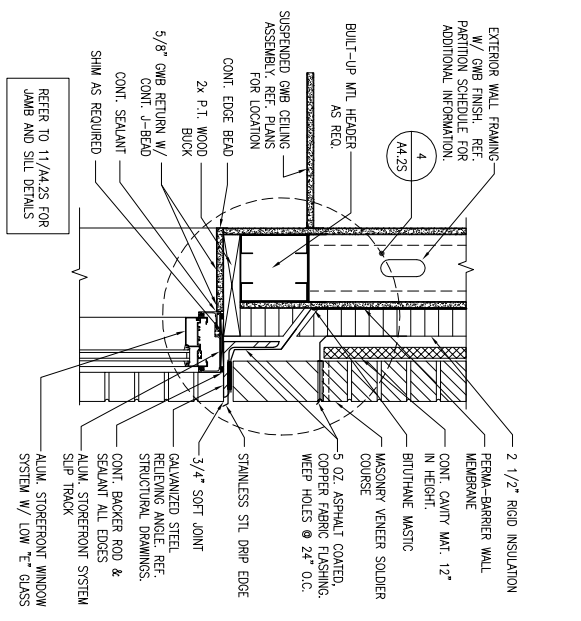
SCALE:

10 NOT USED
REFERENCED FROM:

SCALE:

11 TYPICAL - HEAD, JAMB AND SILL DETAILS
REFERENCED FROM:

SCALE: 1/2" = 1'-0"



HEAD DETAIL @ RELIEVING ANGLE

4 WIND. TYP. "B" - HEAD DETAIL
REFERENCED FROM:

SCALE: 1/2" = 1'-0"

8 NOT USED
REFERENCED FROM:

SCALE:

REVISIONS	
Description:	Date:

Owner:
BAYSIDE VENTURES, LLC
50 PORTLAND PIER
SUITE 400
PORTLAND, MAINE
04101

63 MARGINAL WAY
MULTI-TENANT
OFFICE BUILDING
63 MARGINAL WAY
PORTLAND, MAINE
04101

494 Portland Avenue
Portland, ME 04101
Phone: (207) 774-4441
Fax: (207) 774-4016
www.CWSarch.com

CWS Architects

Drawing Title:
WINDOW ELEVATIONS & DETAILS
Scale: AS NOTED
Date: Progress 12/08/05
CWS Proj. No.: 04430.hmo

Drawing Number:
A4.3S