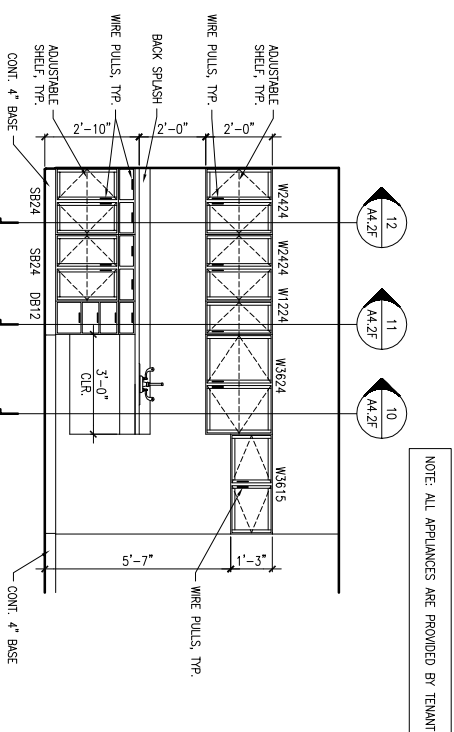


1 INTERIOR ELEVATIONS @ UNISEX TOILET

REFERENCED FROM:

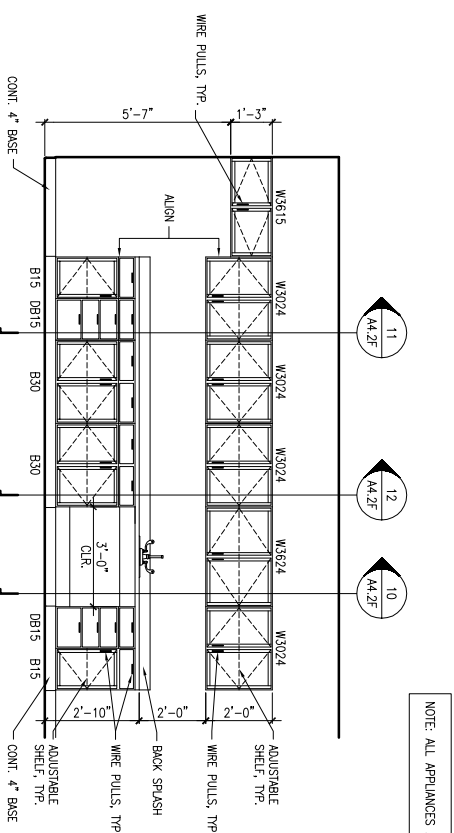
SCALE: 3/8" = 1'-0"



5 INTERIOR ELEVATION @ EMPLOYEE BREAK ROOM

REFERENCED FROM:

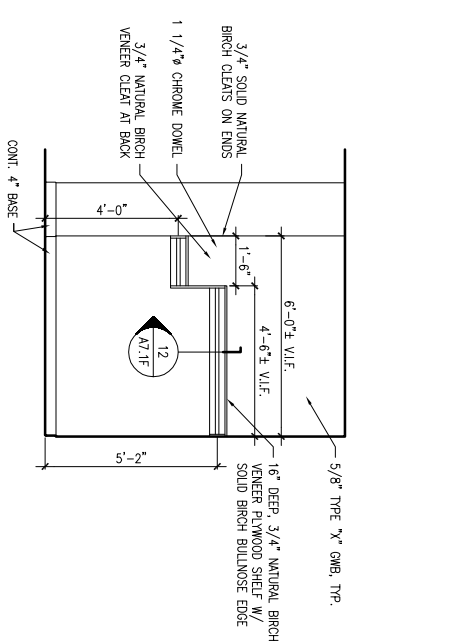
SCALE: 3/8" = 1'-0"



6 INTERIOR ELEVATION @ EMPLOYEE BREAK ROOM

REFERENCED FROM:

SCALE: 3/8" = 1'-0"



8 INTERIOR ELEVATION @ COAT CLOSET

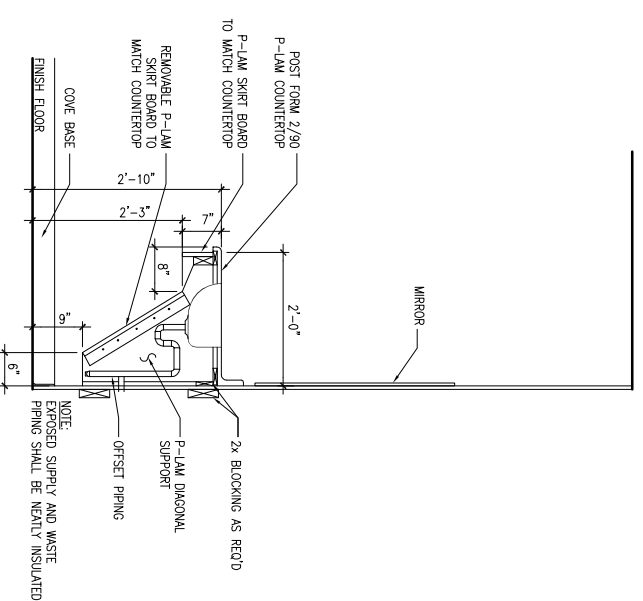
REFERENCED FROM:

SCALE: 3/8" = 1'-0"

4 ENLARGED PLAN @ UNISEX TOILET

REFERENCED FROM:

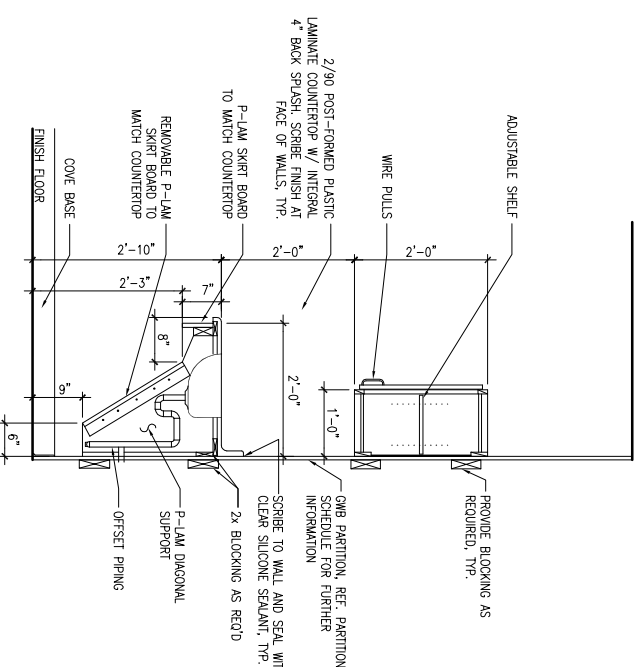
SCALE: 3/8" = 1'-0"



9 SECTION @ ACCESSIBLE SINK

REFERENCED FROM:

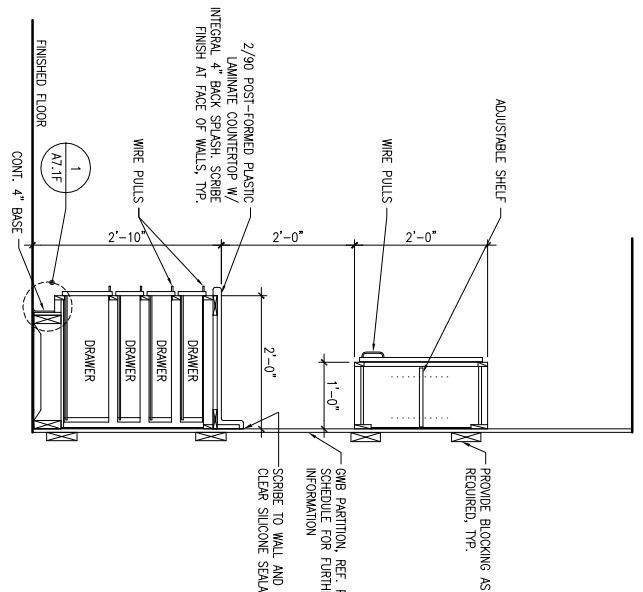
SCALE: 3/4" = 1'-0"



10 SECTION @ ACCESSIBLE SINK

REFERENCED FROM:

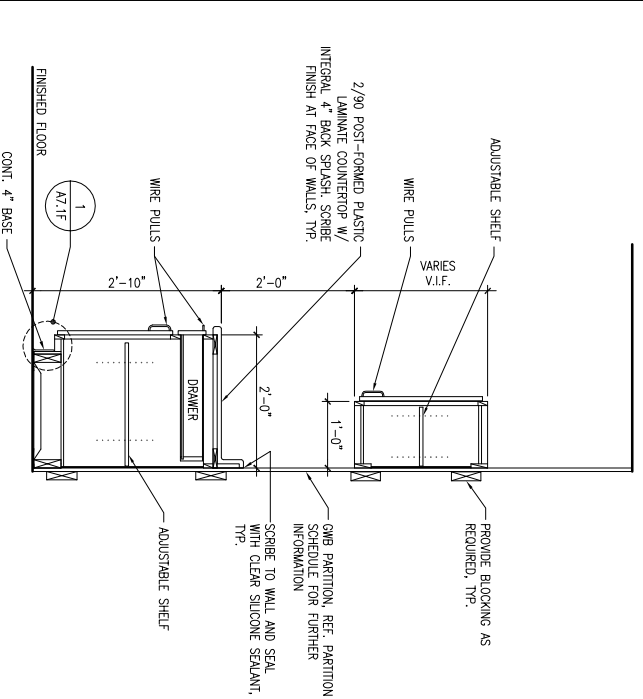
SCALE: 3/4" = 1'-0"



11 SECTION @ DRAWER BASE CABINET

REFERENCED FROM:

SCALE: 3/4" = 1'-0"



12 SECTION @ BASE CABINET

REFERENCED FROM:

SCALE: 3/4" = 1'-0"

REVISIONS:	
Description:	Date:

Drawing Title:
**ENLARGED PLANS,
INTERIOR
ELEVATIONS, AND
DETAILS**

Scale: AS NOTED
Date: Progress 12/05/05
CWS Proj. No.: 04430.HRO

Drawing Number:

A4.2F

Owner:

**BAYSIDE
VENTURES, LLC**
50 PORTLAND PIER
SUITE 400
PORTLAND, MAINE
04101

**63 MARGINAL WAY
MULTI-TENANT
OFFICE BUILDING**
63 MARGINAL WAY
PORTLAND, MAINE
04101

454 Cumberland Avenue
Portland, ME 04101
Phone: (207) 774-4441
Fax: (207) 774-4016
www.CWSarch.com

**CWS
Architects**

