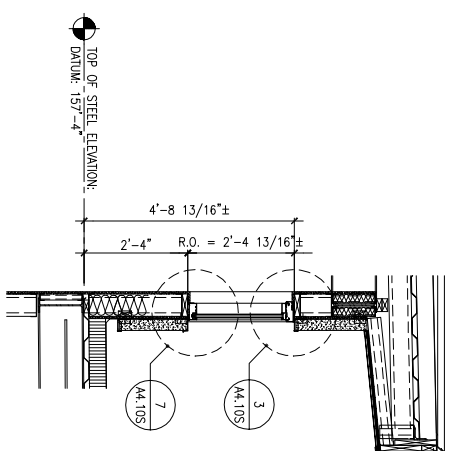
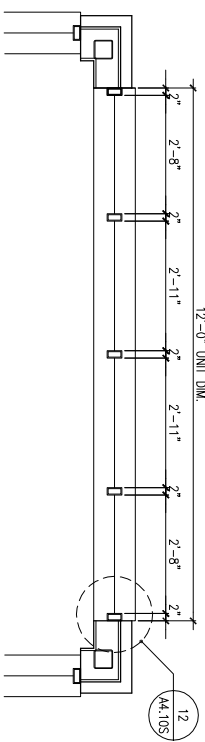


EXTERIOR ELEVATION

ALUM. STOREFRONT WINDOW



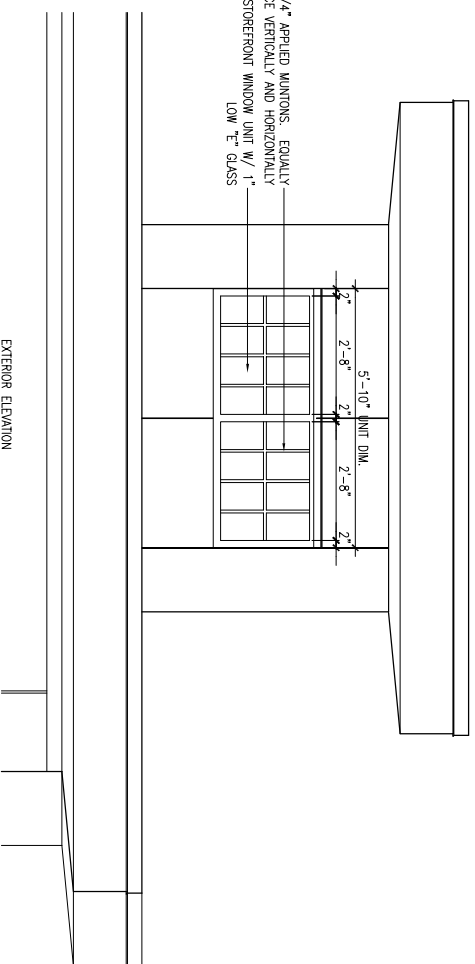
TOP OF STEEL ELEVATION:
DATELINE: 157'-4"



5 WINDOW TYP. "K" ELEVATIONS AND SECTIONS

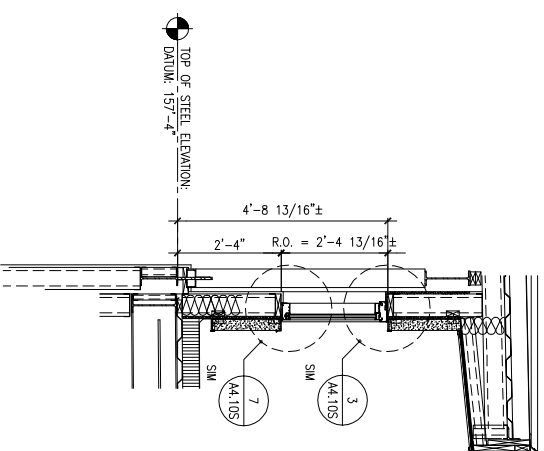
REFERENCED FROM:

SCALE: 1/2" = 1'-0"

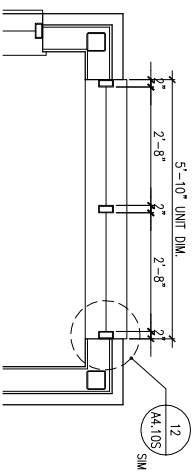


EXTERIOR ELEVATION

ALUM. STOREFRONT WINDOW



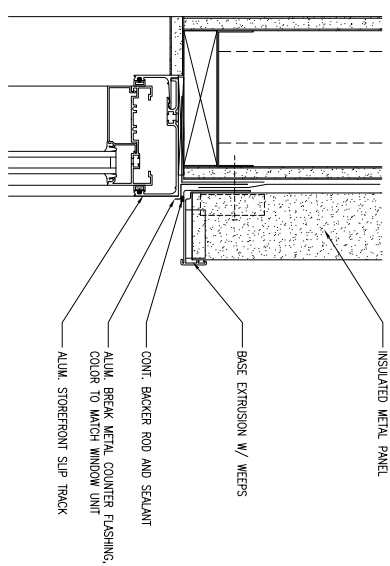
TOP OF STEEL ELEVATION:
DATELINE: 157'-4"



9 WINDOW TYP. "M" ELEVATIONS AND SECTIONS

REFERENCED FROM:

SCALE: 1/2" = 1'-0"

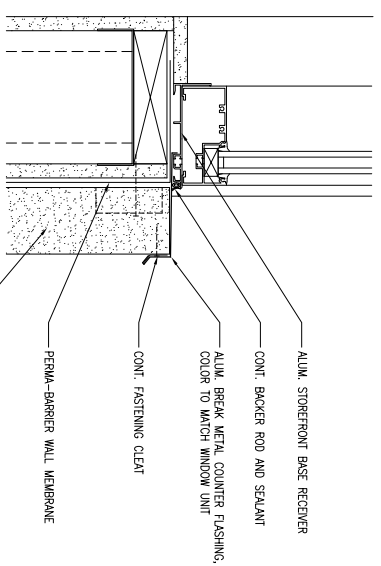


REF. 9/A4/2S FOR ADDITIONAL INFORMATION

3 WINDOW TYP. "K" HEAD DETAIL

REFERENCED FROM:

SCALE: 5" = 1'-0"

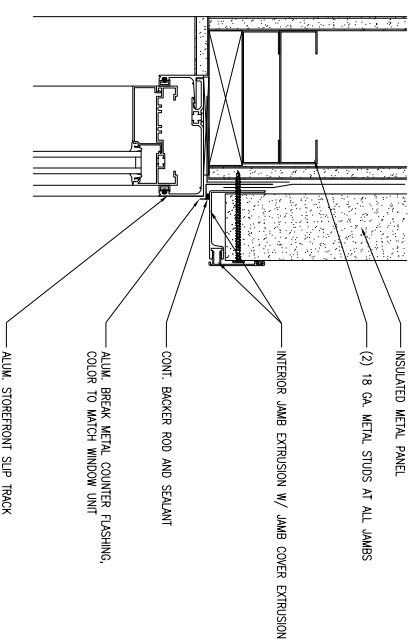


REF. 9/A4/2S FOR ADDITIONAL INFORMATION

7 WINDOW TYP. "K" SILL DETAIL

REFERENCED FROM:

SCALE: 5" = 1'-0"



REF. 9/A4/2S FOR ADDITIONAL INFORMATION

12 WINDOW TYP. "K" JAMB DETAIL

REFERENCED FROM:

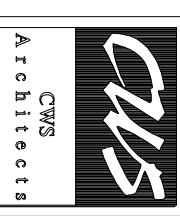
SCALE: 5" = 1'-0"

REVISIONS:	
Description:	Date:

Owner:
BAYSIDE VENTURES, LLC
50 PORTLAND PIER
SUITE 400
PORTLAND, MAINE
04101

63 MARGINAL WAY
MULTI-TENANT
OFFICE BUILDING
63 MARGINAL WAY
PORTLAND, MAINE
04101

454 Carleton Avenue
Portland, ME 04101
Phone: (207) 774-4441
Fax: (207) 774-4016
www.CW5arch.com



Drawing Title:
WINDOW ELEVATIONS & DETAILS
Scale: AS NOTED
Date: Progress 12/05/05
CW5 Proj. No.: 04430.HMO

Drawing Number:
A4.10S