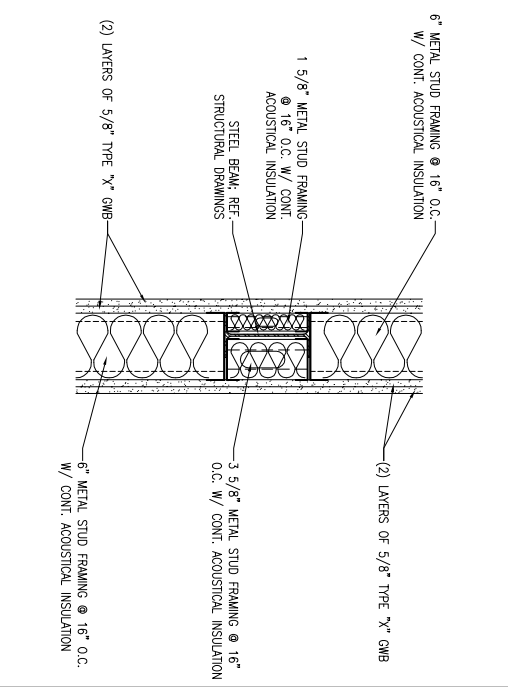
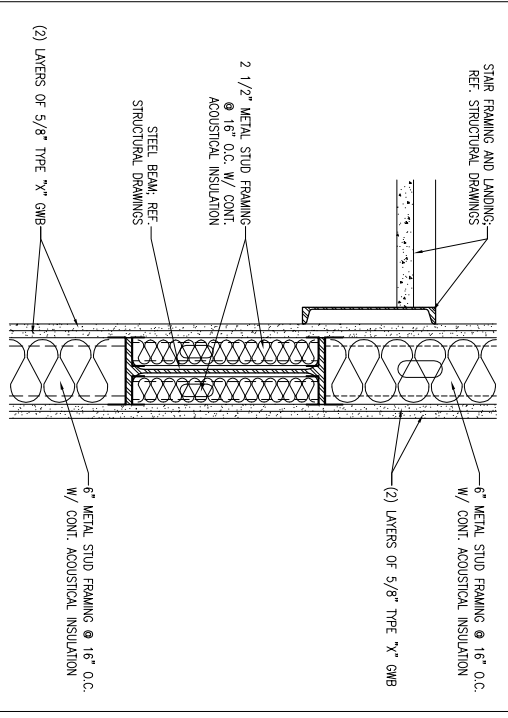


1 NOT USED
REFERENCED FROM:
SCALE:

2 NOT USED
REFERENCED FROM:
SCALE:

3 SHAFT WALL DETAIL
REFERENCED FROM:
SCALE: 1/2" = 1'-0"

4 SHAFT WALL DETAIL
REFERENCED FROM:
SCALE: 1/2" = 1'-0"

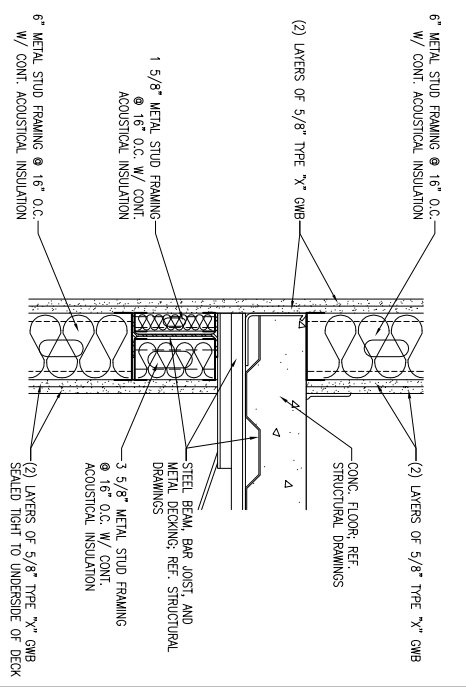
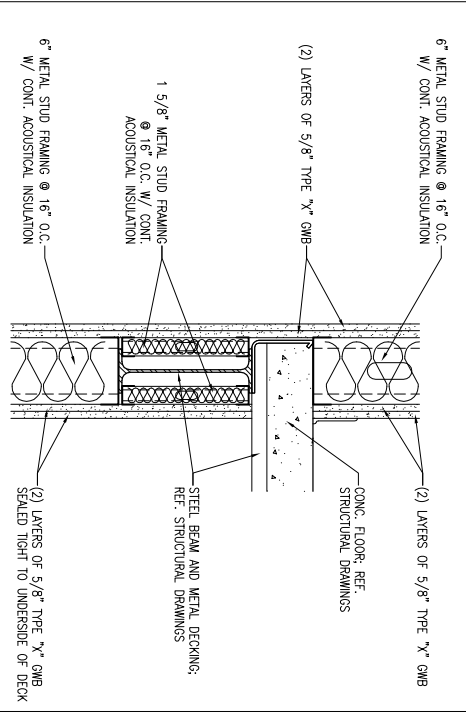


5 NOT USED
REFERENCED FROM:
SCALE:

6 NOT USED
REFERENCED FROM:
SCALE:

7 SHAFT WALL DETAIL
REFERENCED FROM:
SCALE: 1/2" = 1'-0"

8 SHAFT WALL DETAIL
REFERENCED FROM:
SCALE: 1/2" = 1'-0"



9 NOT USED
REFERENCED FROM:
SCALE:

10 NOT USED
REFERENCED FROM:
SCALE:

11 SHAFT WALL DETAIL
REFERENCED FROM:
SCALE: 1/2" = 1'-0"

12 SHAFT WALL DETAIL
REFERENCED FROM:
SCALE: 1/2" = 1'-0"

CWS Architects
494 Cumberland Avenue
Portland, ME 04101
Phone: (207) 774-4441
Fax: (207) 774-4016
www.CWSarch.com

**63 MARGINAL WAY
MULTI-TENANT
OFFICE BUILDING**
63 MARGINAL WAY
PORTLAND, MAINE
04101

BAYSIDE VENTURES, LLC
50 PORTLAND PIER
SUITE 400
PORTLAND, MAINE
04101

REVISIONS	
Description	Date

Drawing Title:
MISC. WALL DETAILS

Scale: 1/2" = 1'-0"

Date: Progress 12/09/09

CWS Proj. No.: 04430.hmo

Drawing Number:
A1.155