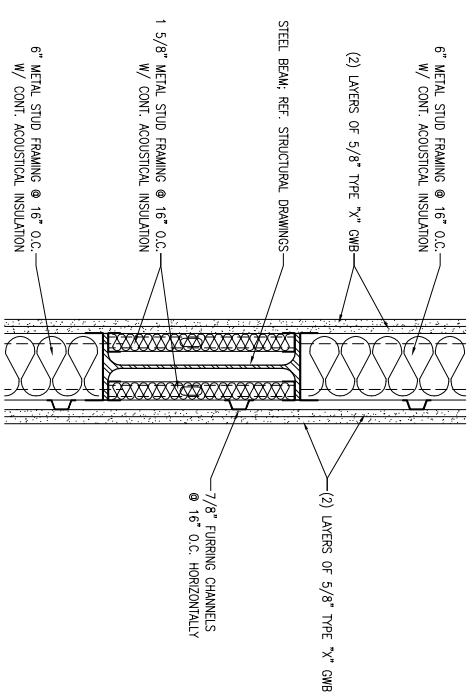
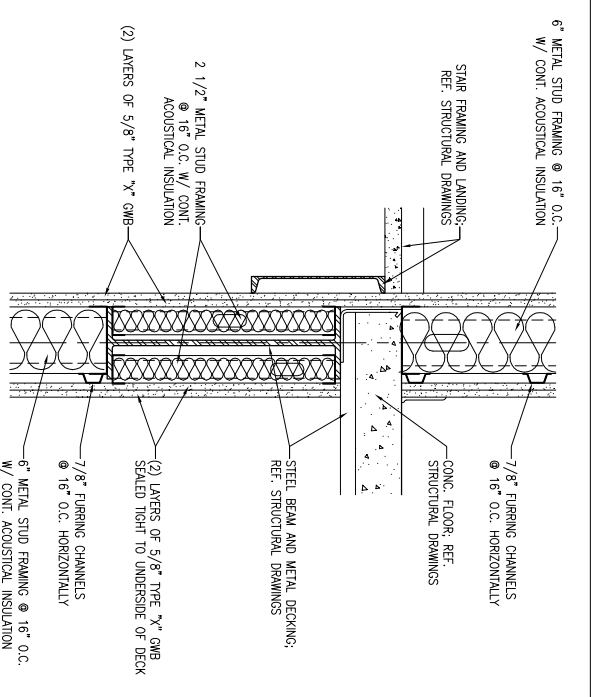


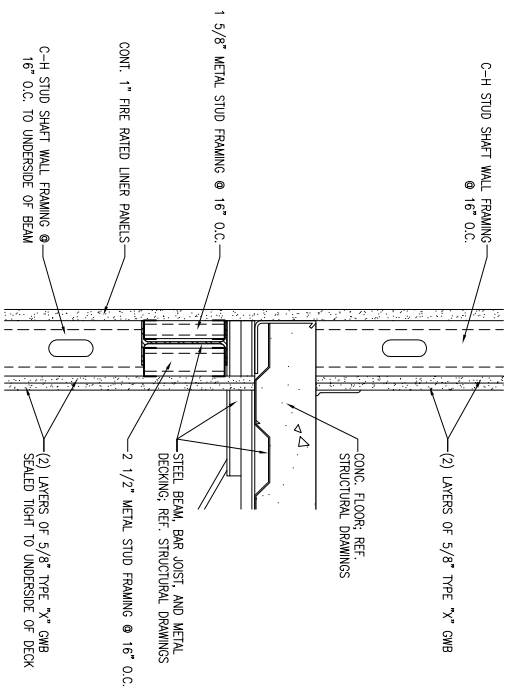
**1** SHAFT WALL DETAIL  
 REFERENCED FROM:  
 SCALE: 1/2" = 1'-0"



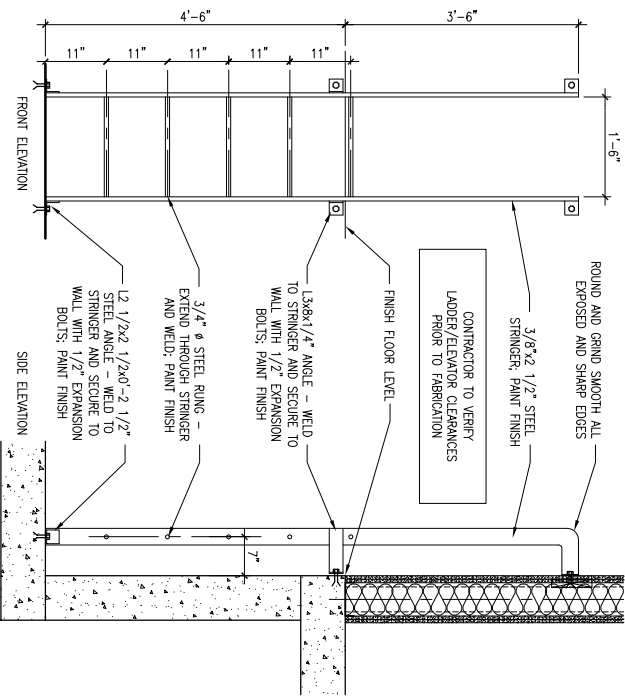
**5** SHAFT WALL DETAIL  
 REFERENCED FROM:  
 SCALE: 1/2" = 1'-0"



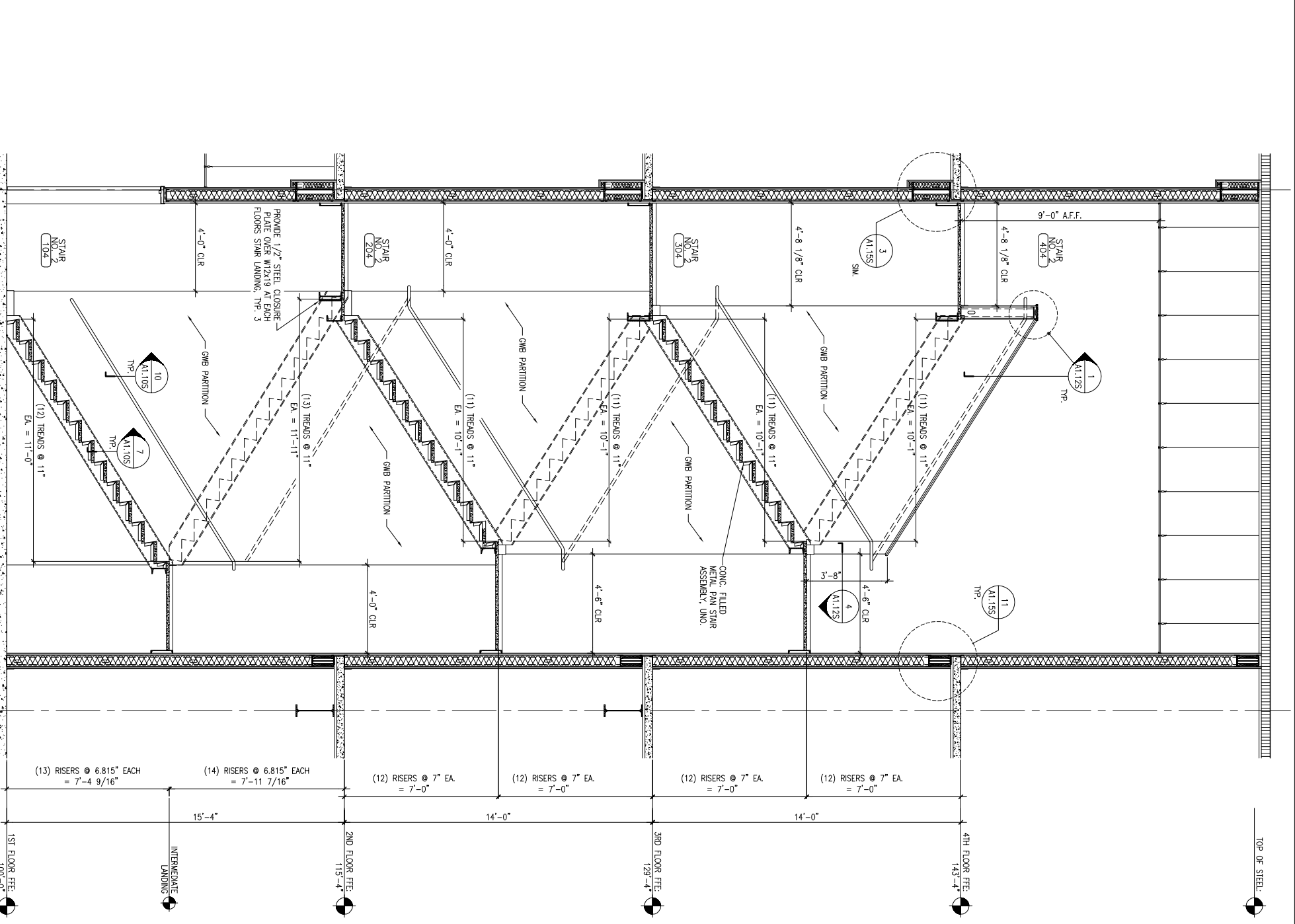
**2** SHAFT WALL DETAIL  
 REFERENCED FROM:  
 SCALE: 1/2" = 1'-0"



**6** SHAFT WALL DETAIL  
 REFERENCED FROM:  
 SCALE: 1/2" = 1'-0"



**10** ELEVATOR PIT LADDER DETAILS  
 REFERENCED FROM:  
 SCALE: 3/4" = 1'-0"



**11** SECTION @ STAIR NO. 2  
 REFERENCED FROM:  
 SCALE: 3/8" = 1'-0"

REVISIONS	
Description	Date

Owner:  
**BAYSIDE VENTURES, LLC**  
 50 PORTLAND PIER  
 SUITE 400  
 PORTLAND, MAINE  
 04101

**63 MARGINAL WAY**  
**MULTI-TENANT**  
**OFFICE BUILDING**  
 63 MARGINAL WAY  
 PORTLAND, MAINE  
 04101

454 Cumberland Avenue  
 Portland, ME 04101  
 Phone: (207) 774-4441  
 Fax: (207) 774-4016  
 www.CWSarch.com

**CWS Architects**

Drawing Title:  
**STAIR NO. 2 SECTION AND DETAILS**  
 Scale: AS NOTED  
 Date: Progress 12/05/05  
 CWS Proj. No.: 04430.hmo

Drawing Number:  
**A1.13S**