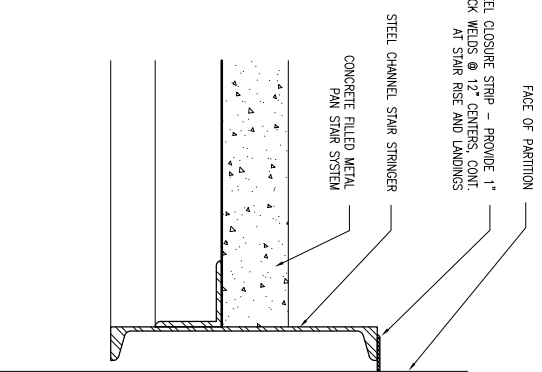


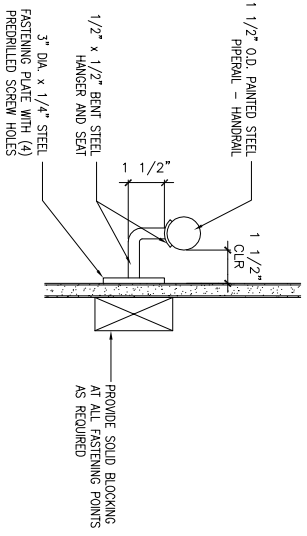
1 BASE OF STAIR DETAIL

SCALE: 3/8" = 1'-0"



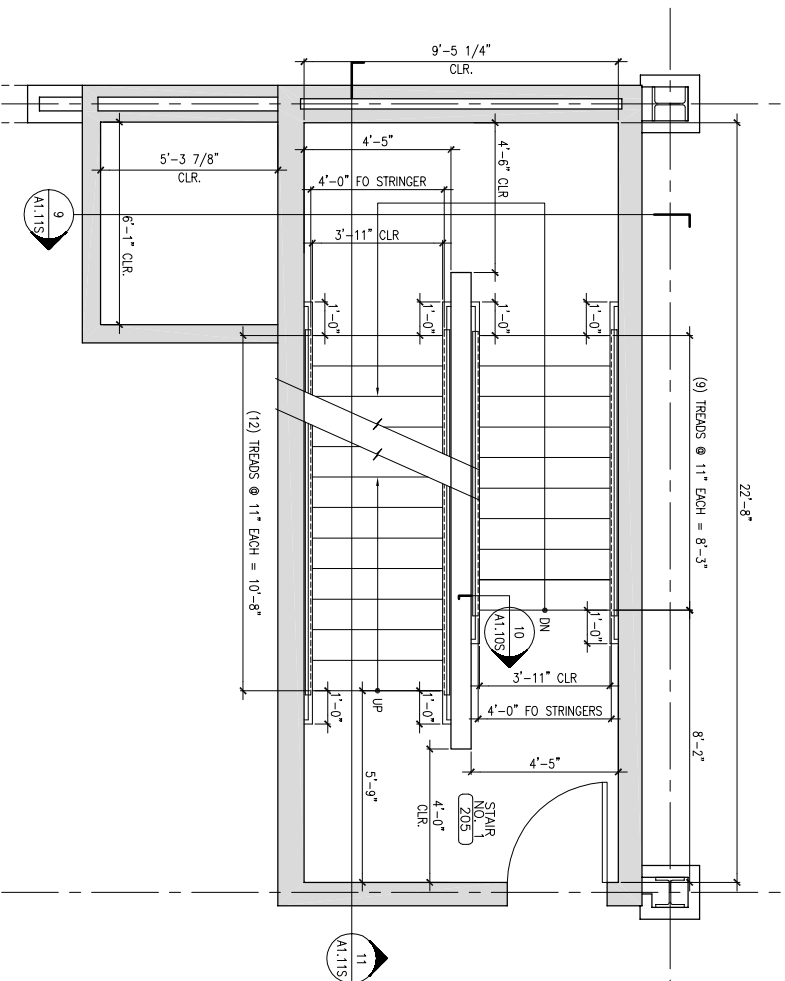
7 TYP. EDGE OF STAIR STRINGER DETAIL

SCALE: 3/8" = 1'-0"



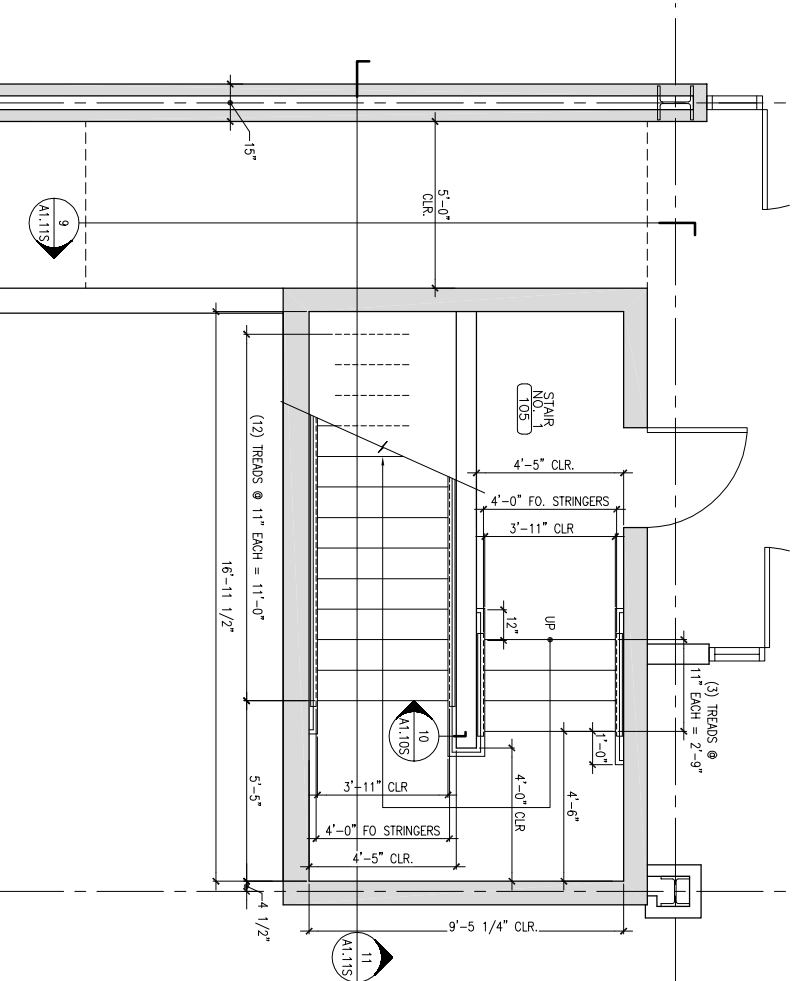
10 TYP. HANDRAIL DETAIL

SCALE: 3/8" = 1'-0"



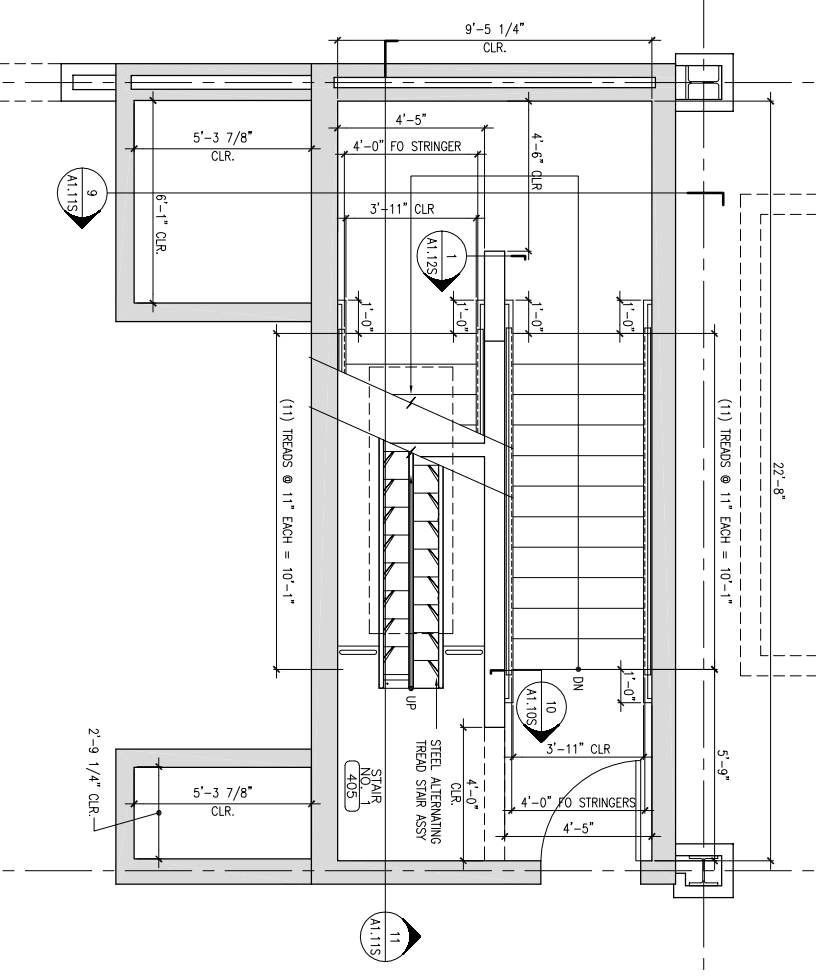
5 ENLARGED PLAN @ STAIR NO. 1 - SECOND FLOOR

SCALE: 3/8" = 1'-0"



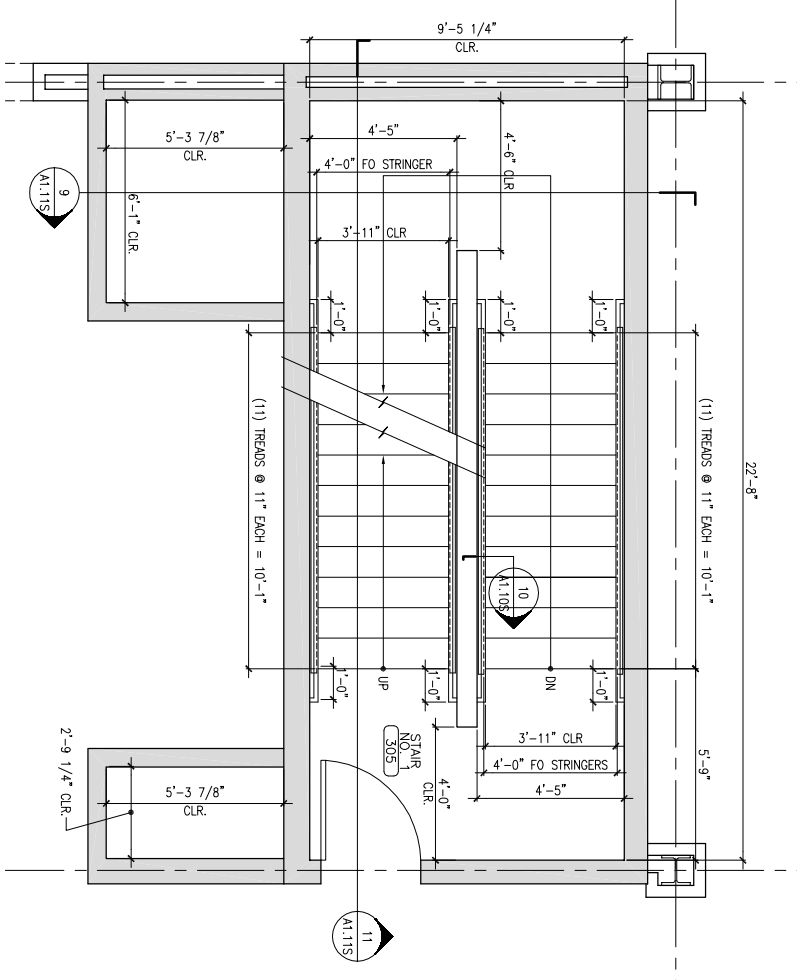
11 ENLARGED PLAN @ STAIR NO. 1 - FIRST FLOOR

SCALE: 3/8" = 1'-0"



6 ENLARGED PLAN @ STAIR NO. 1 - FOURTH FLOOR

SCALE: 3/8" = 1'-0"



12 ENLARGED PLAN @ STAIR NO. 1 - THIRD FLOOR

SCALE: 3/8" = 1'-0"



454 Cumberland Avenue
Portland, ME 04101
Phone: (207) 774-4441
Fax: (207) 774-4016
www.CWSarch.com

63 MARGINAL WAY
MULTI-TENANT
OFFICE BUILDING
PORTLAND, MAINE
04101

BAYSIDE VENTURES, LLC
50 PORTLAND PIER
SUITE 400
PORTLAND, MAINE
04101

REVISIONS:	
Description:	Date:

Drawing Title:
STAIR NO. 1
ENLARGED PLANS
AND DETAILS

Scale: AS NOTED
Date: Progress 12/05/05
CWS Proj. No.: 04430.hmo

A1.10S

Drawing Number:

ISSUED FOR PRICING 12/05/2005