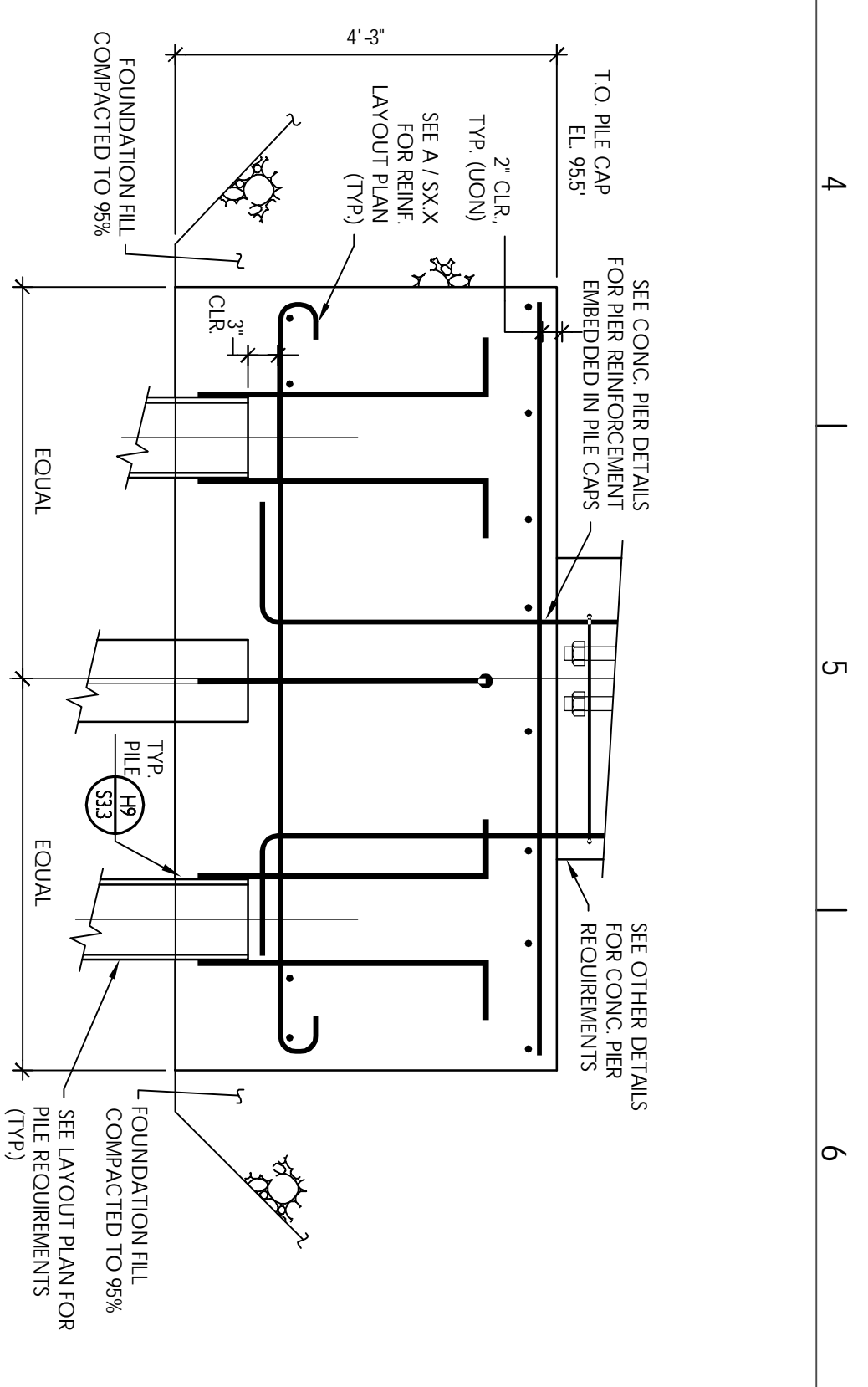
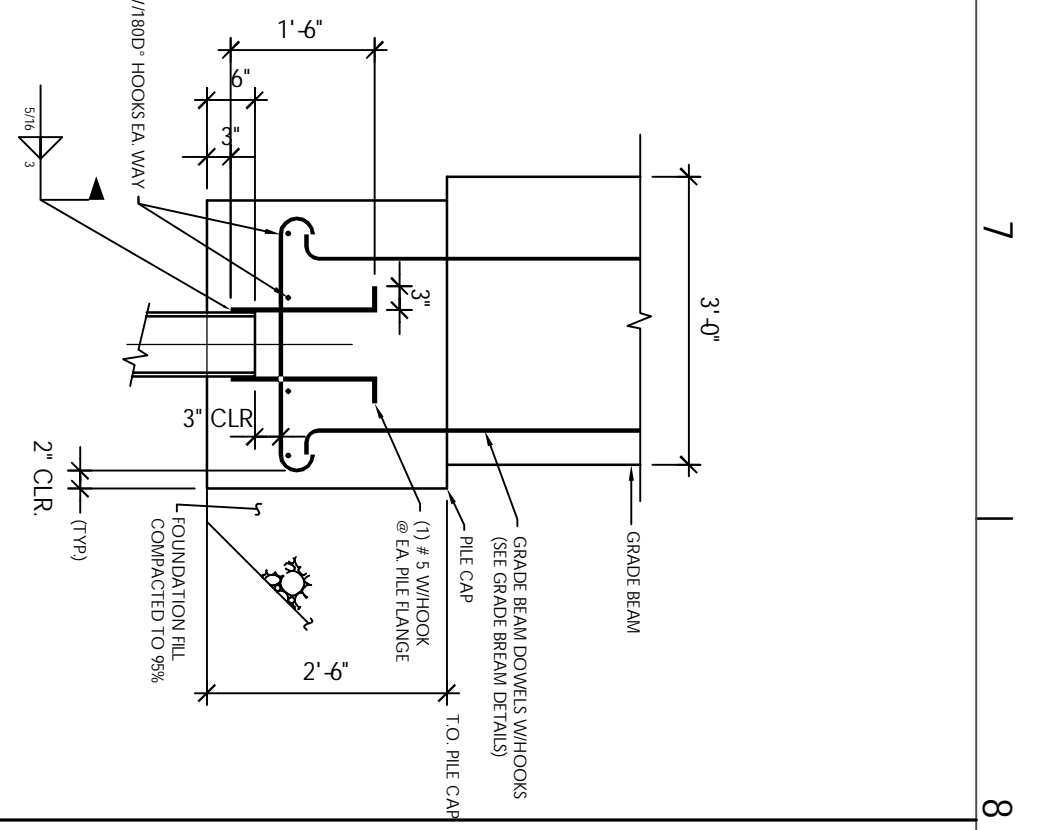


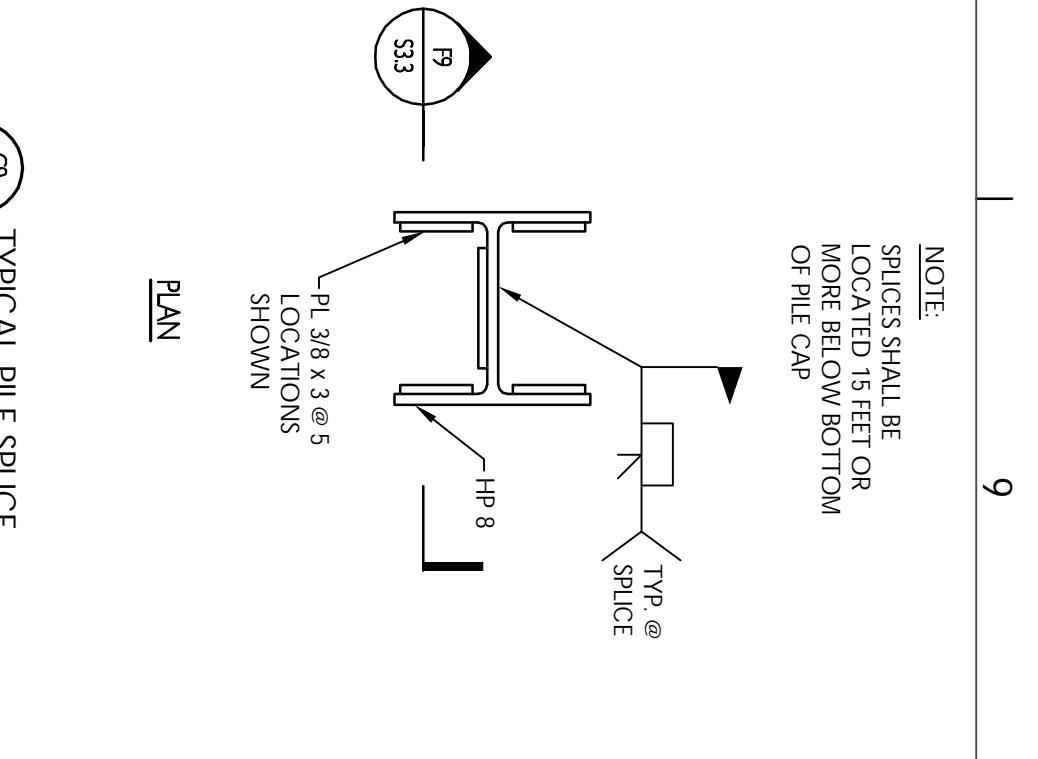
SECTION @ TYPE A
PILE CAP
S33 NTS



SECTION @ TYPE B
PILE CAP
S33 NTS



SECTION TYPE E PILE CAP
S33 NTS

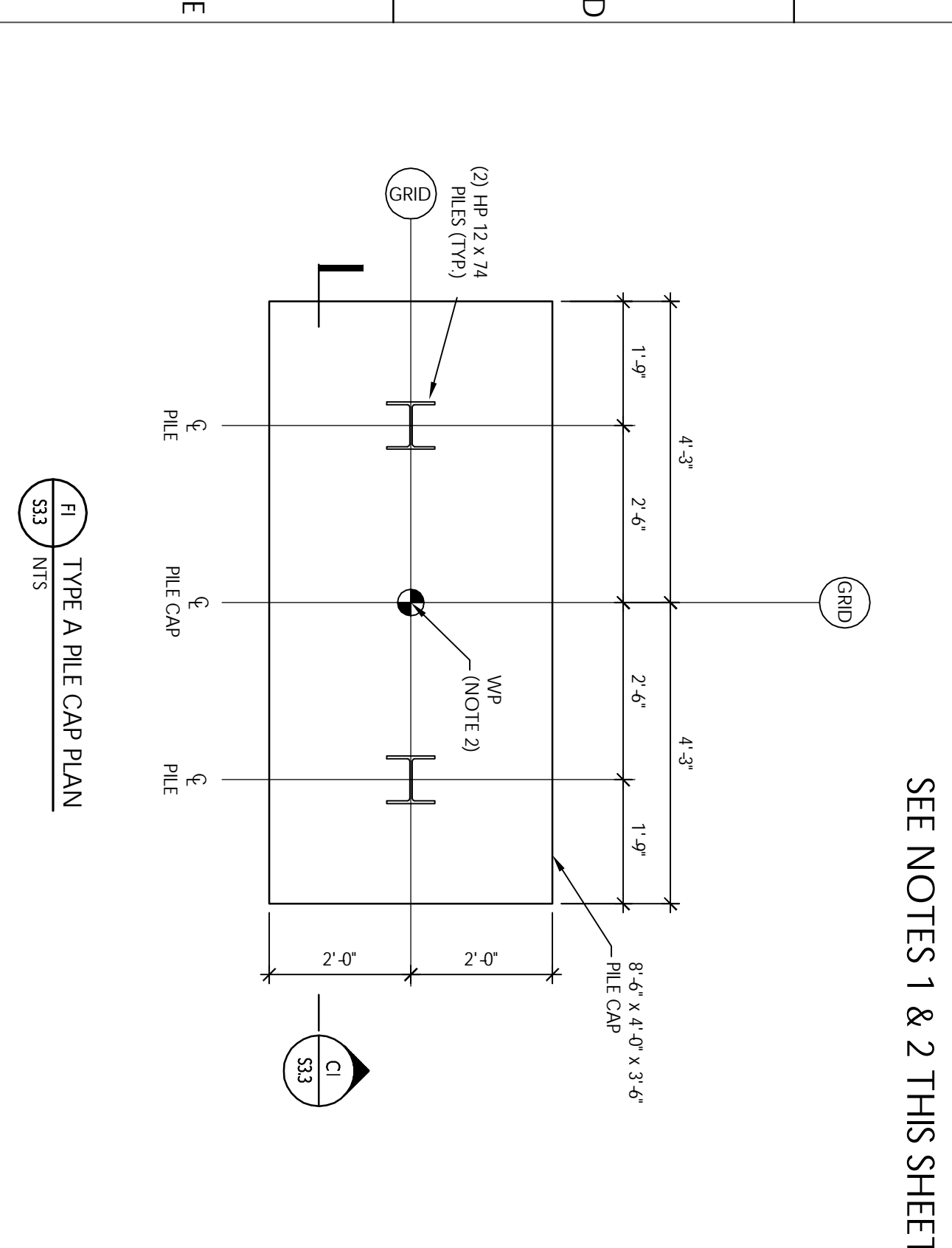


TYPICAL PILE SPLICE
S33 NTS

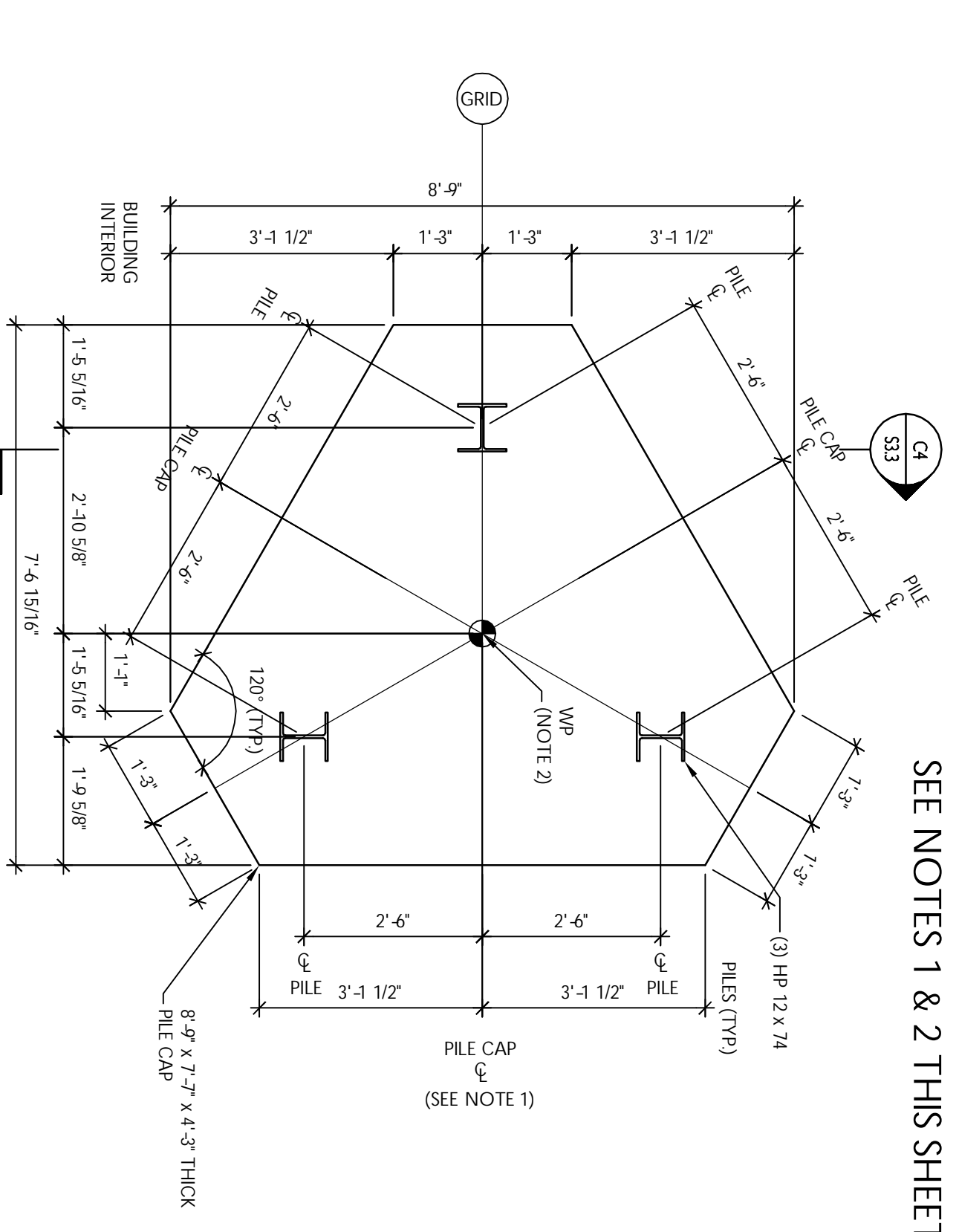
**PRELIMINARY
NOT FOR CONSTRUCTION**

UNDER NO CIRCUMSTANCES SHALL THIS DRAWING BE USED TO DEVELOP SHOP DRAWINGS OR FABRICATE NEW MATERIALS.

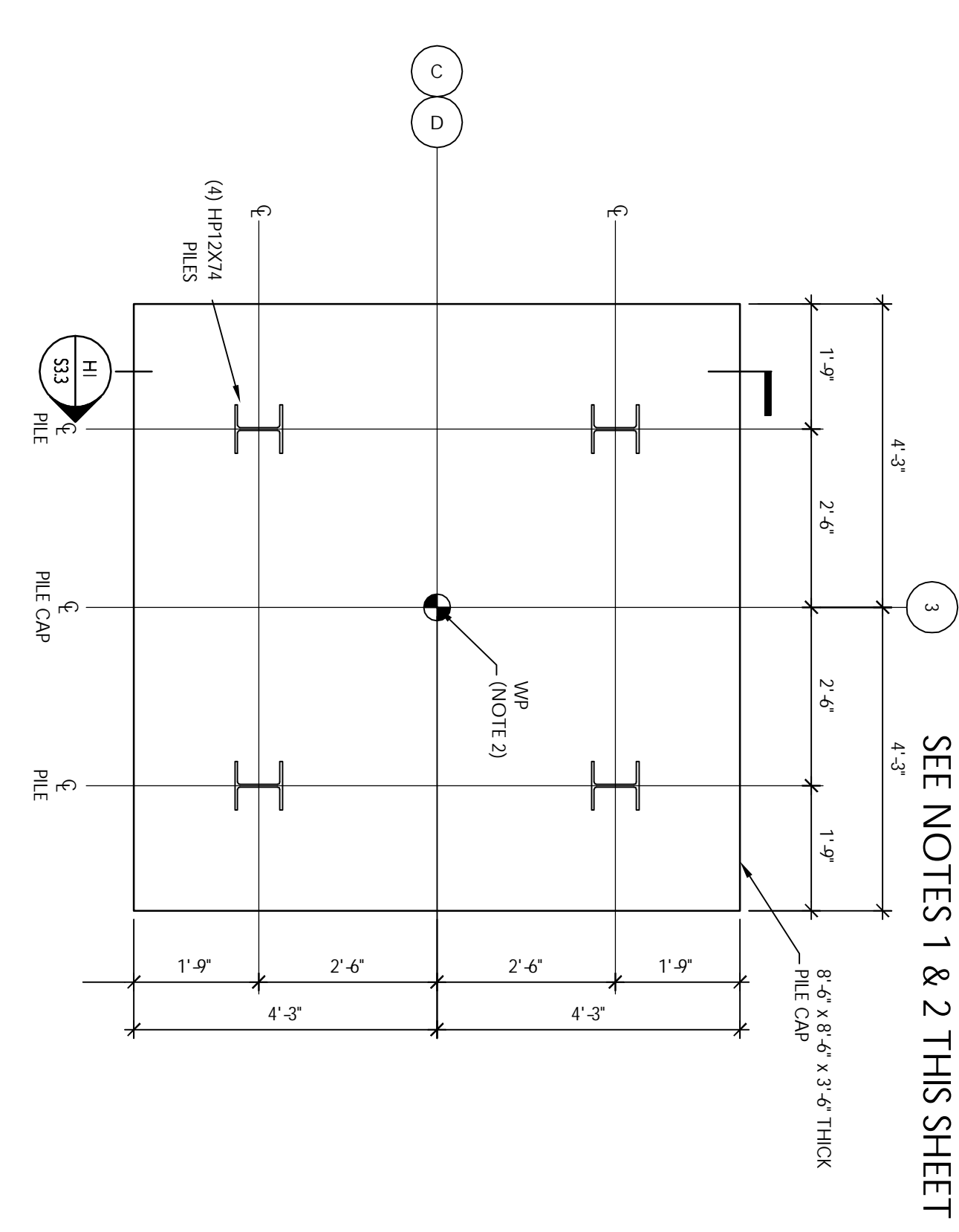
- NOTES:**
- See Foundation grade beams for grade beam & pier requirements on pile cap.
 - Align pile cap center-line with gridlines. (See pile cap layout plan for cap orientation).



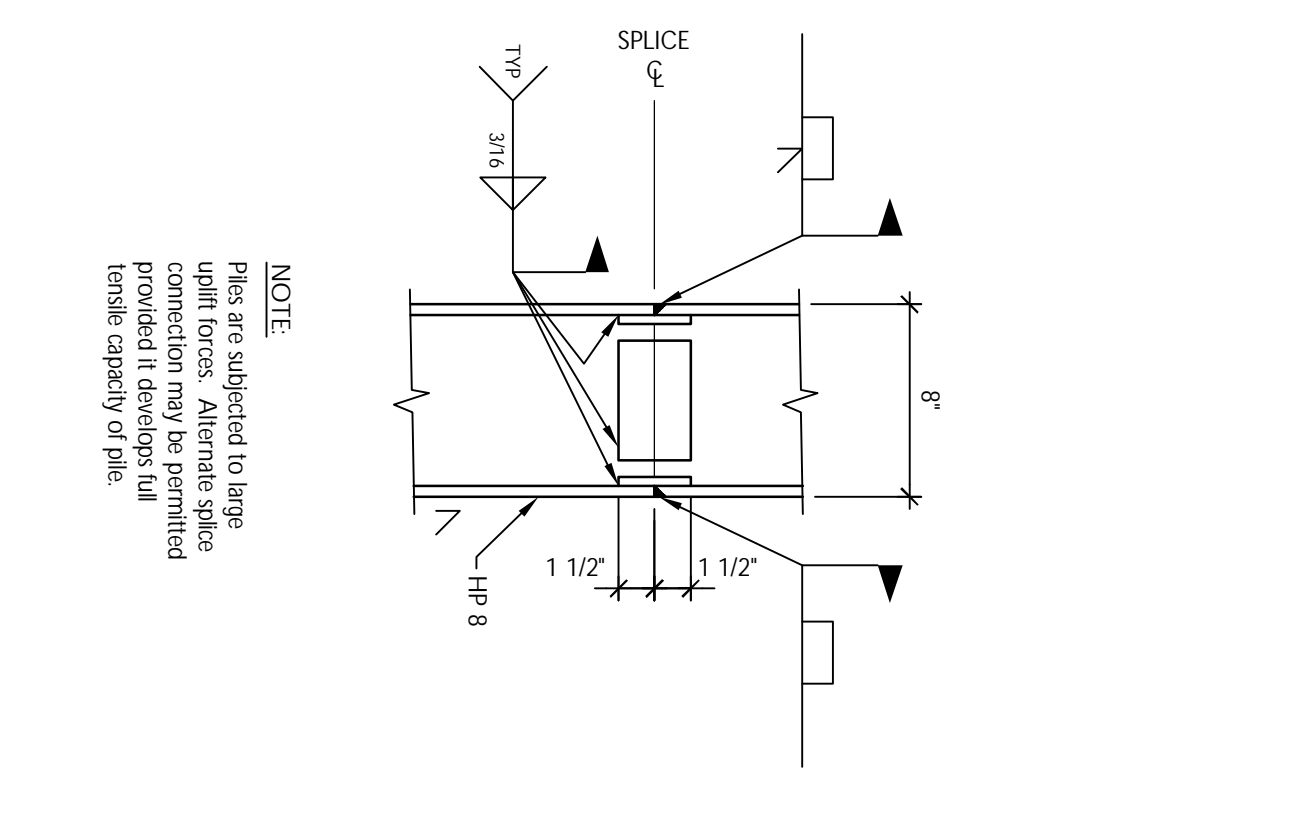
TYPE A PILE CAP PLAN
S33 NTS



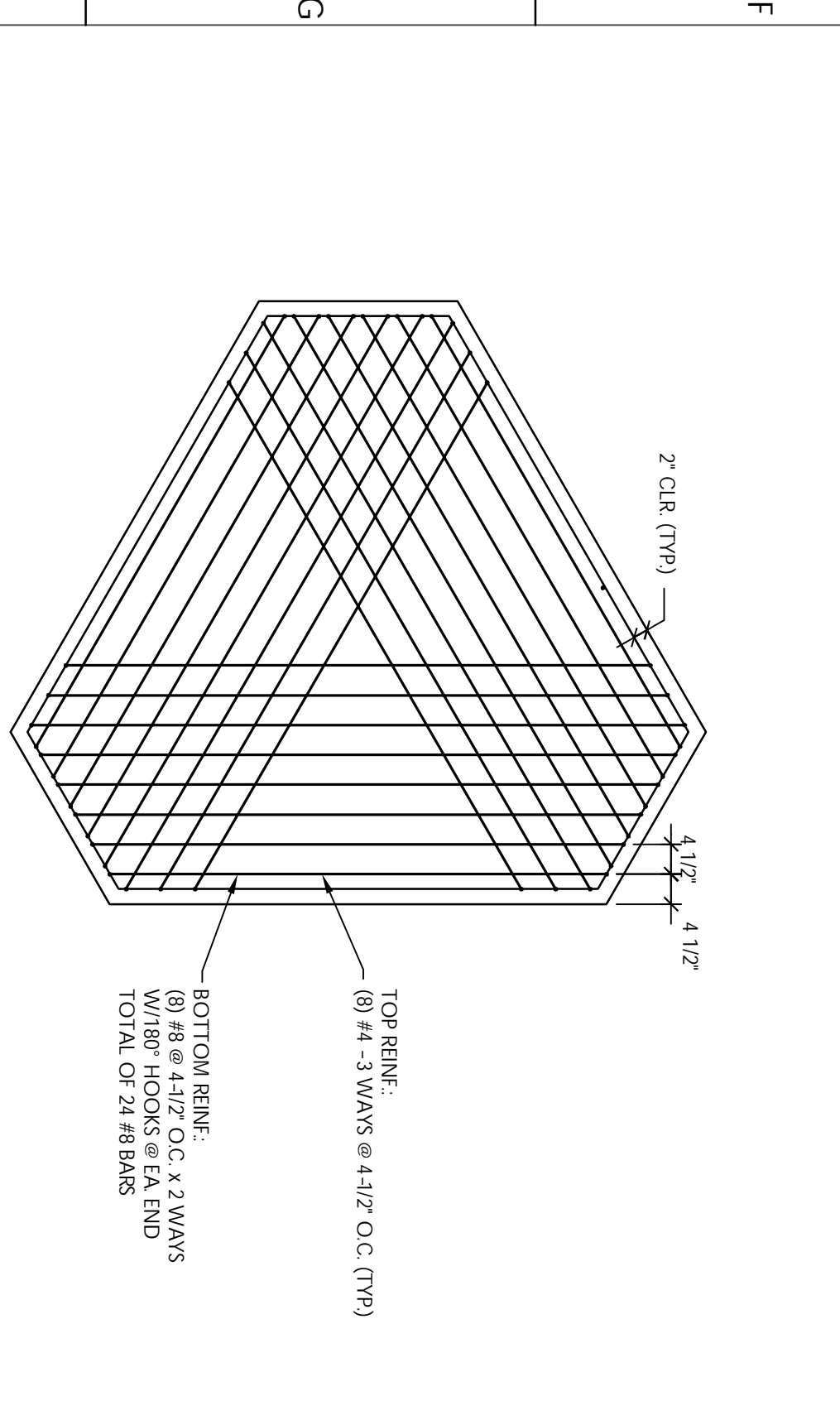
TYPE B PILE CAP PLAN
S33 NTS



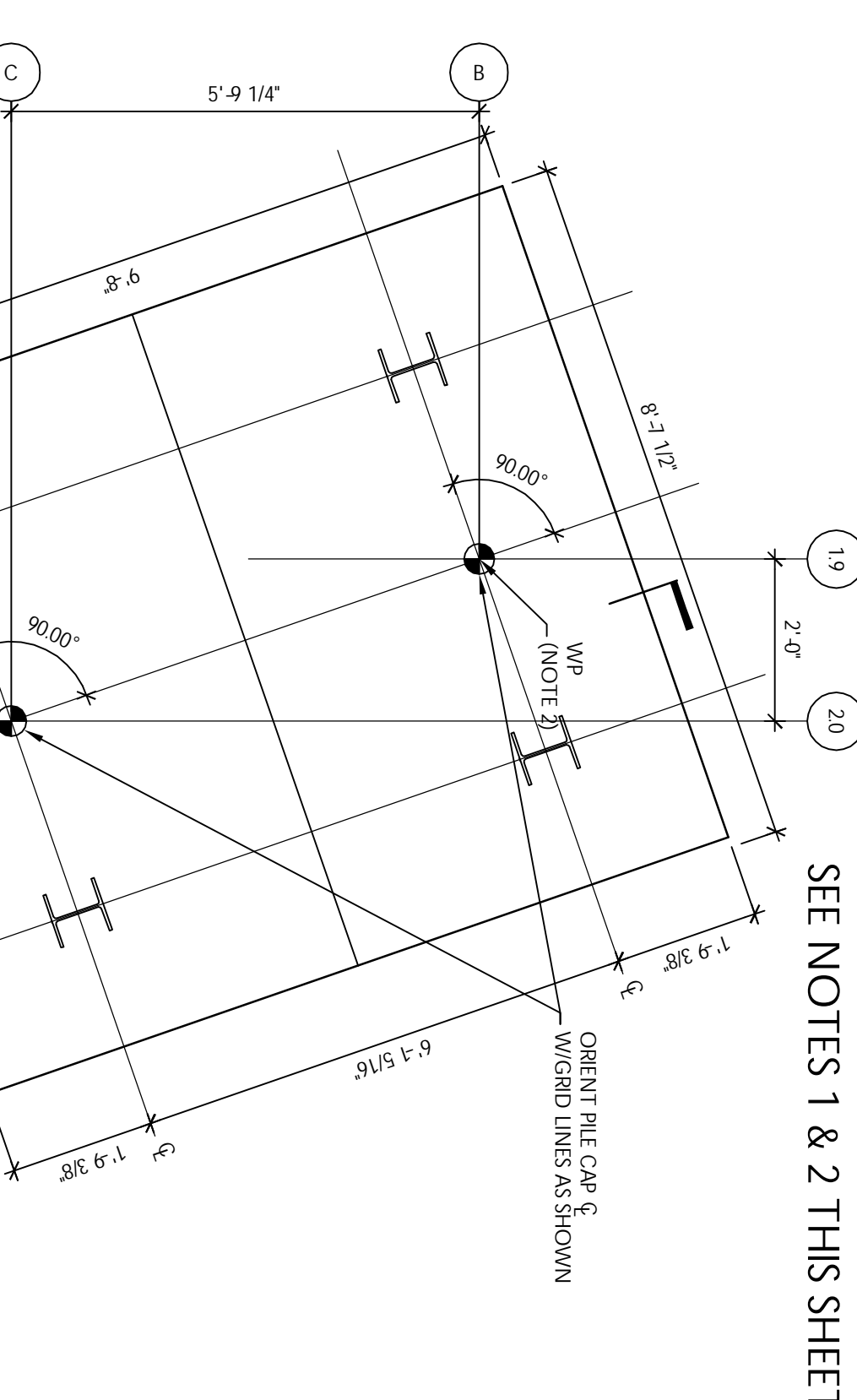
TYPE C PILE CAP PLAN
S33 NTS



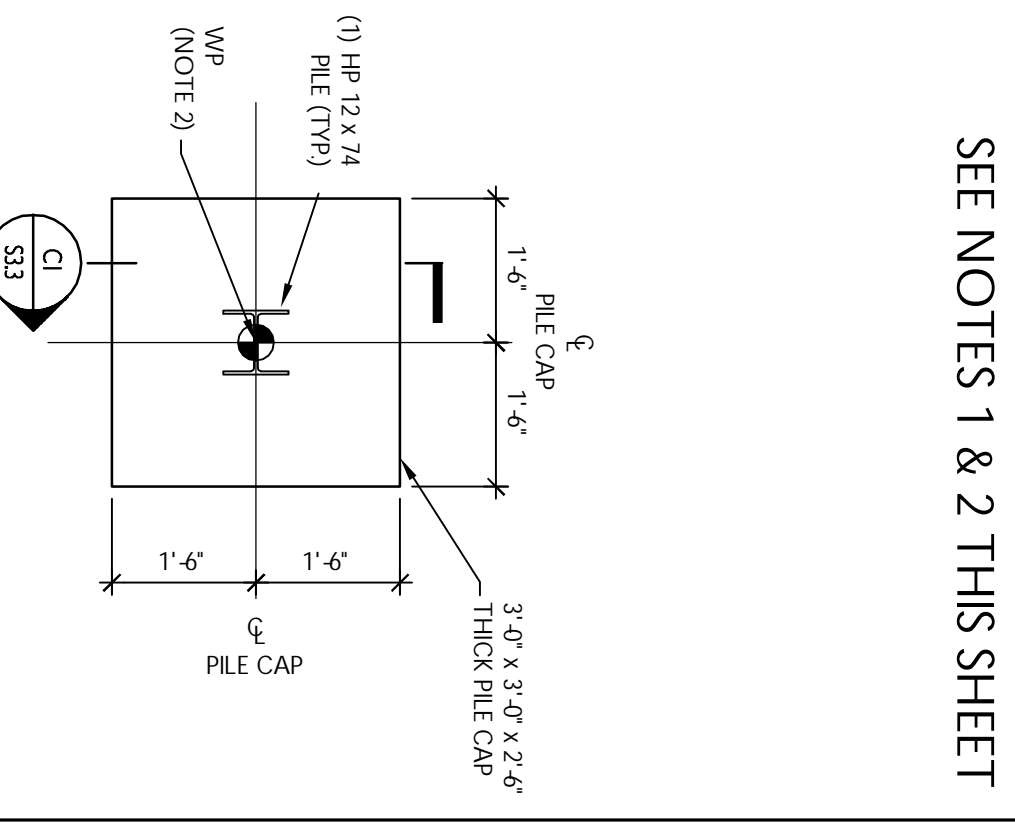
SECTION
S33 NTS



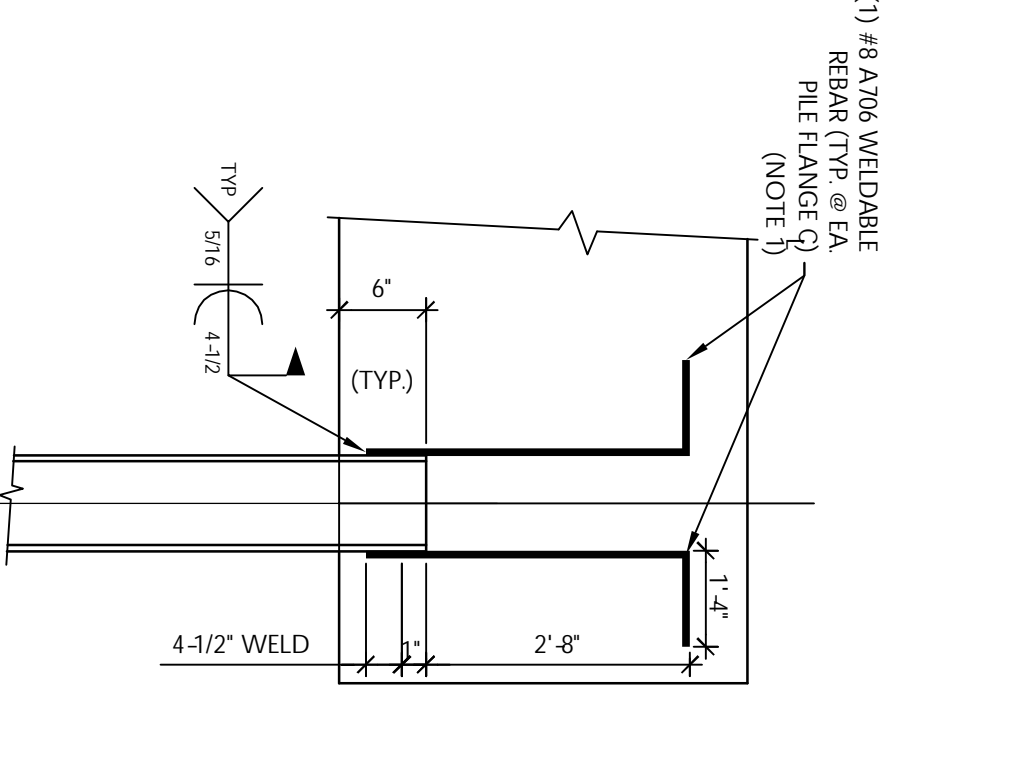
TYPE B
REINFORCEMENT LAYOUT PLAN
S33 NTS



TYPE D PILE CAP PLAN
S33 NTS



TYPE E PILE CAP PLAN
S33 NTS



TYPICAL PILE TO PILE
CAP DETAIL
S33 NTS

NOTE:

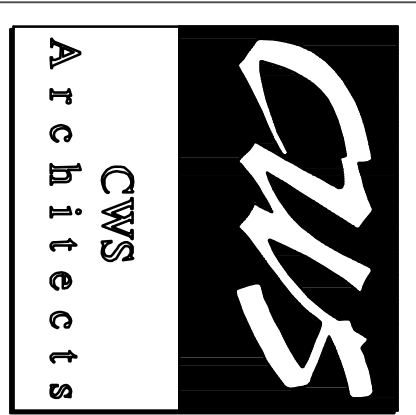
#8 REBAR IS REQUIRED @ ALL PILES IN PILE CAPS @ CROSSTID, 1TD, 2BA, 4A, 3C, 3D, 3E, 4E, 5E, 9D2. THE #8 SHALL BE REPLACED WITH A #5 A706 WELDABLE REBAR AT OTHER PILE LOCATIONS.

BAYSIDE HOLDINGS, LLC
50 PORTLAND PIER
SUITE 400
PORTLAND, MAINE
04101

MULTI-TENANT OFFICE BUILDING
MARGINAL WAY
PORTLAND, MAINE
04101



434 Cumberland Avenue
Portland, ME 04101
Phone: (207) 774-4441
Fax: (207) 774-4016
www.CWSArch.com



REVISIONS:	
Description:	Date:
Issued for Permit Only	11/11/05
CAD Filename:	
CWS/Marginal Way/Piles	

Drawing Title:
PILE CAP DETAILS

Scale: As Noted
Date: 10/25/05
PSE Proj. No.: 127-05

Drawing Number:
S3.3