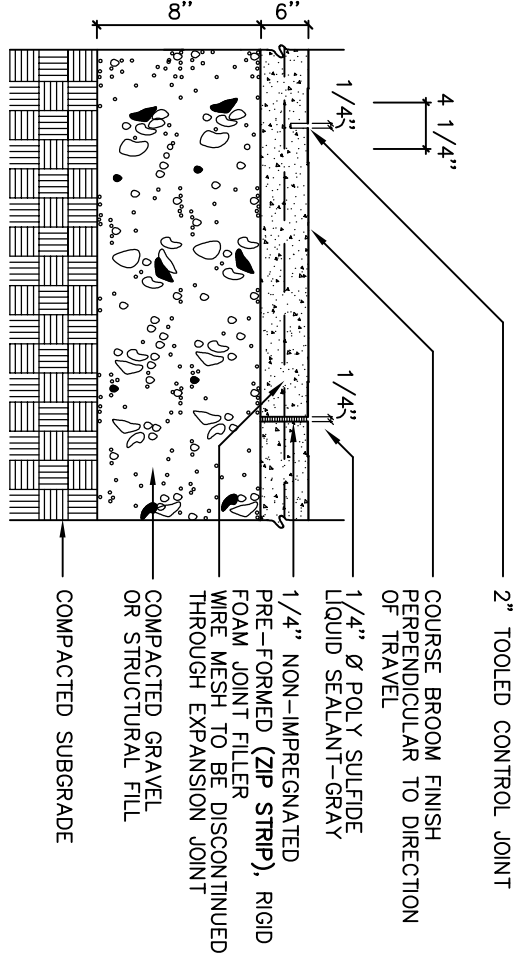
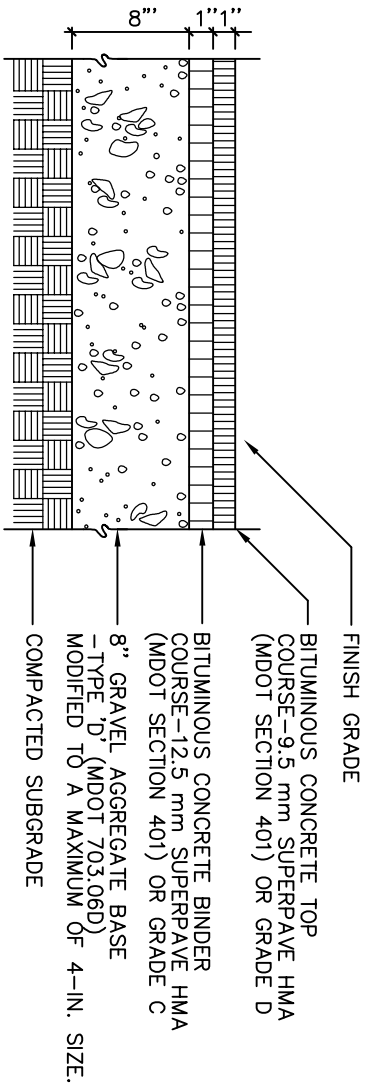


1 BITUMINOUS PAVEMENT - ROADS & PARKING
NOT TO SCALE

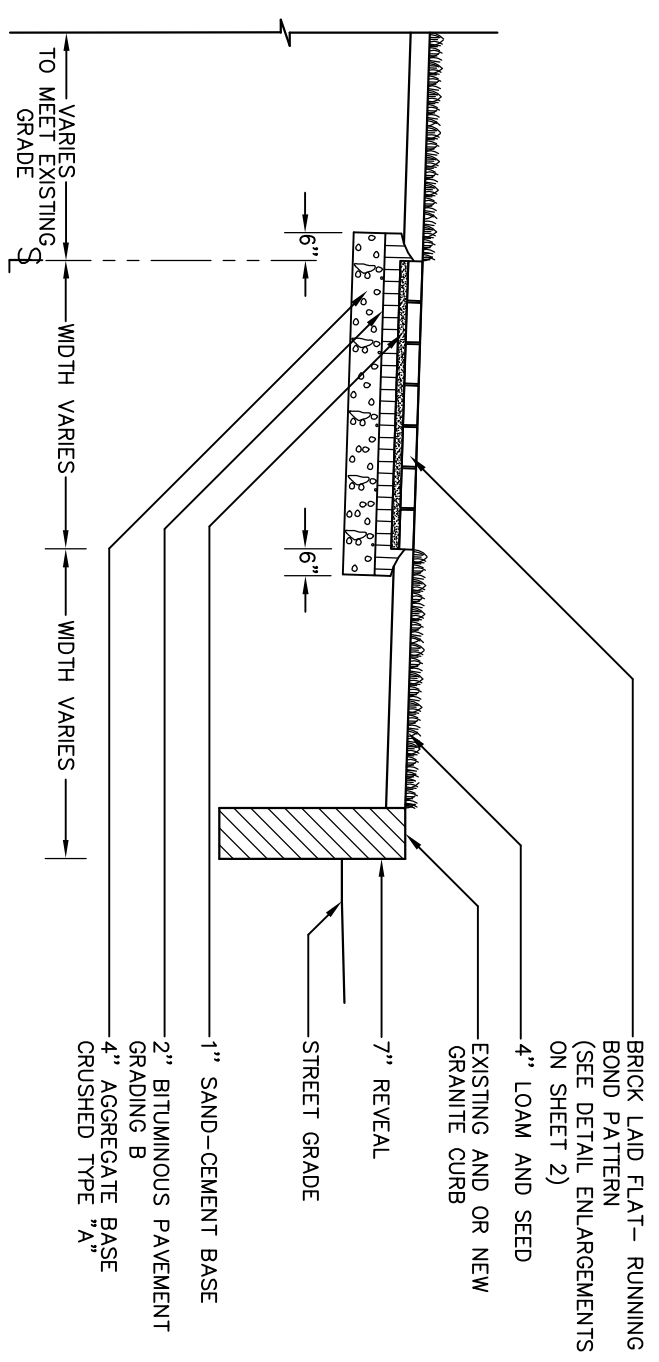
NOTE:
CONCRETE WALK SHALL CONFORM TO STANDARDS AND SPECIFICATIONS OF PLACE CONCRETE FROM APPROVED DESIGN.



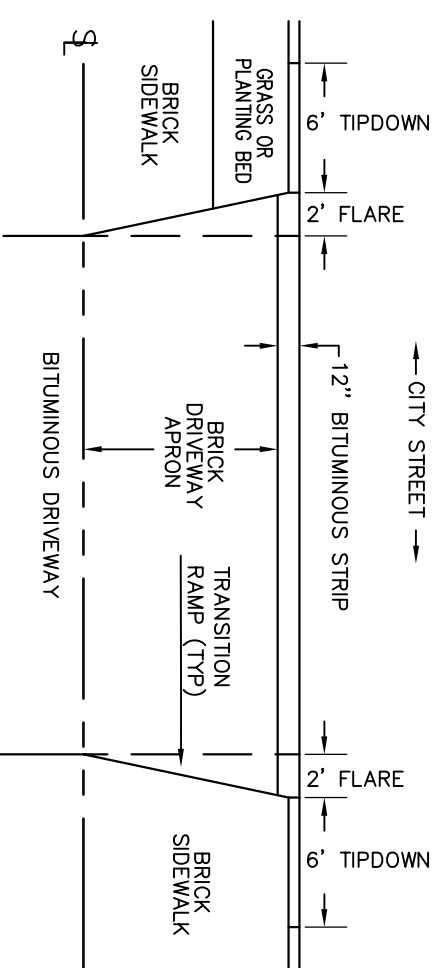
2 CONCRETE WALK
NOT TO SCALE



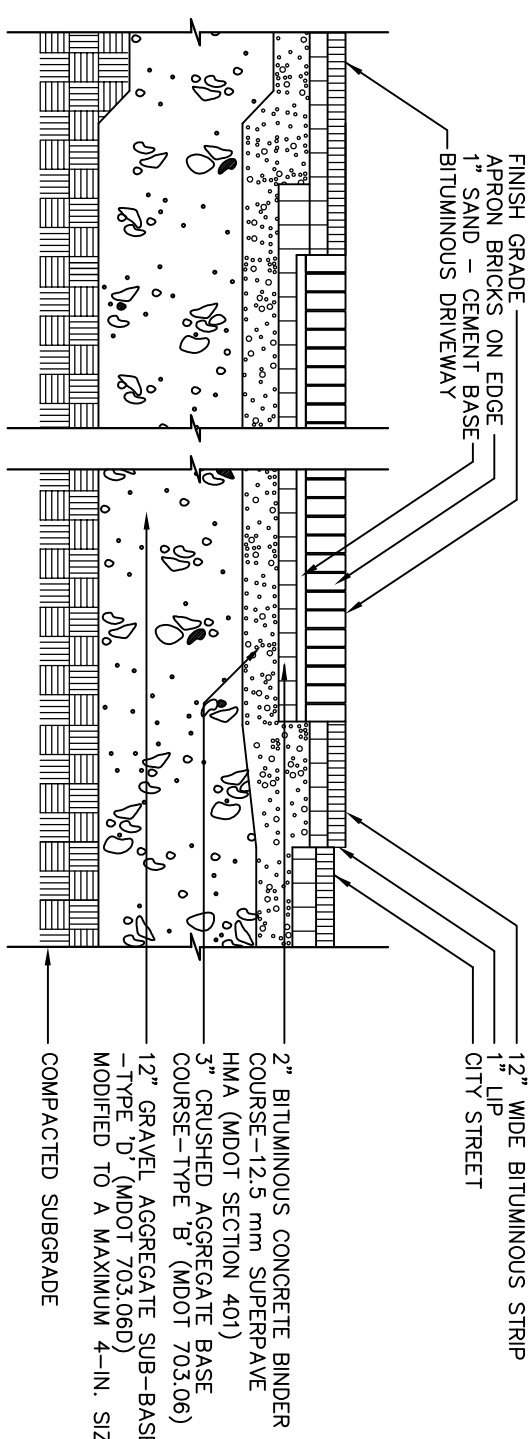
3 BITUMINOUS SIDEWALK
NOT TO SCALE



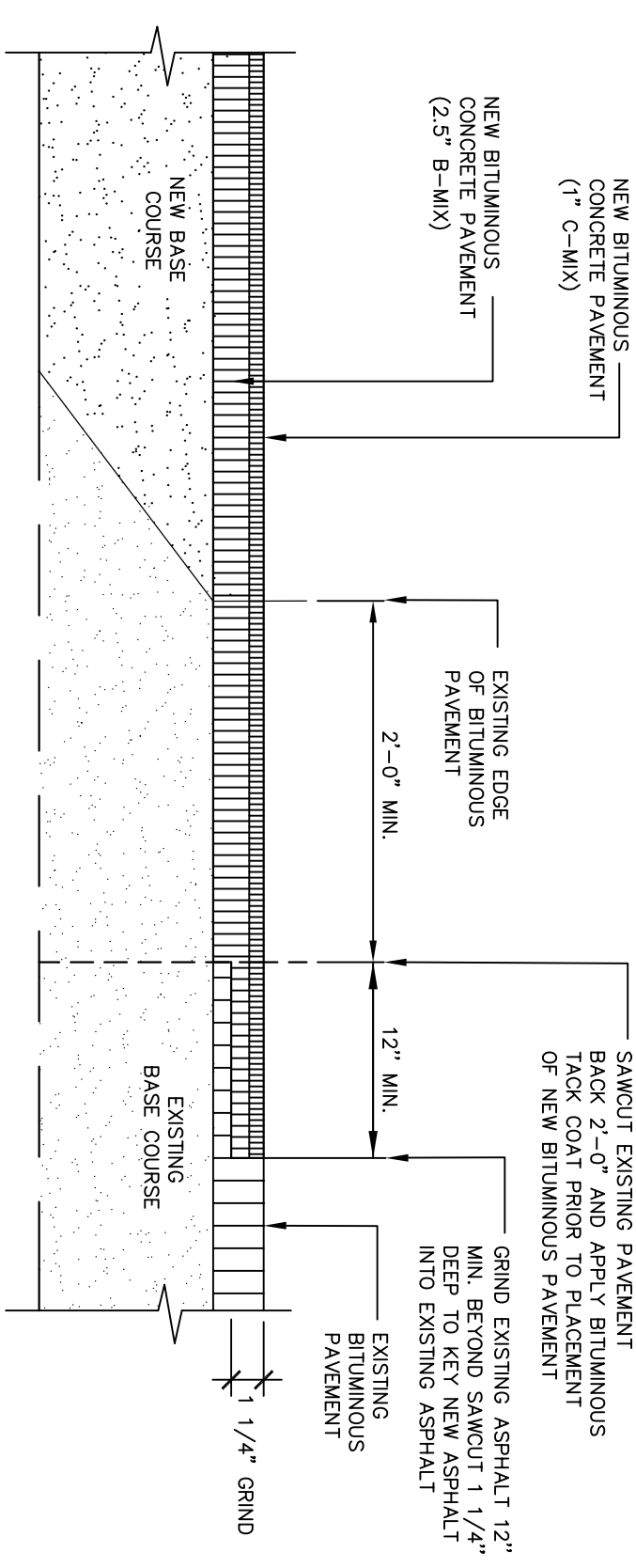
4 BRICK SIDEWALK WITH GRANITE CURB
NOT TO SCALE



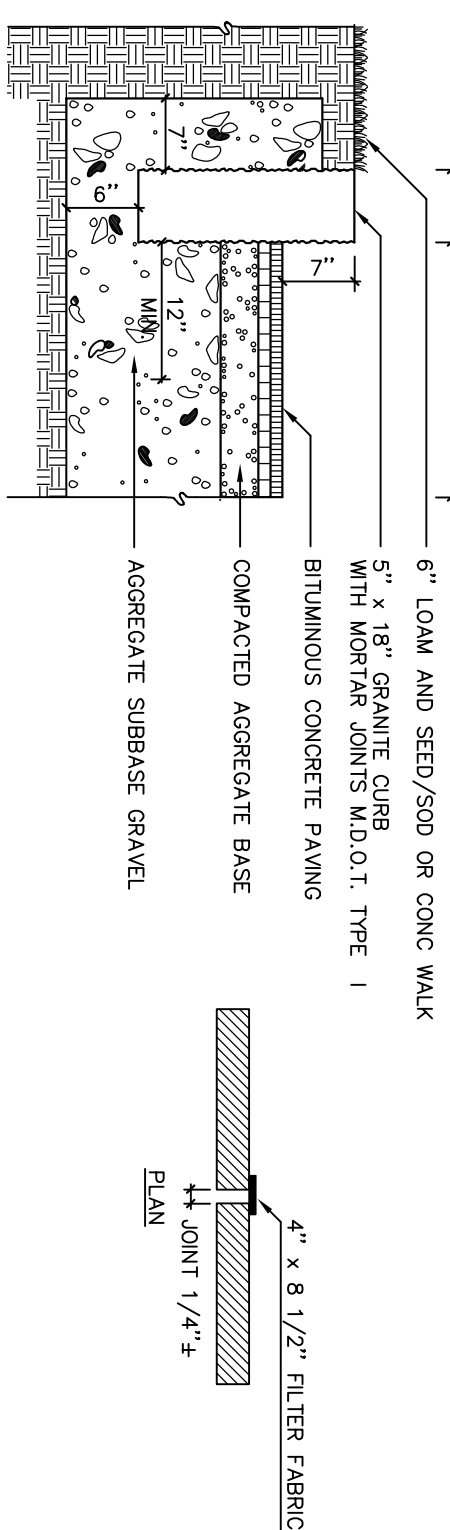
5 BRICK SIDEWALK + DRIVEWAY CONSTRUCTION
NOT TO SCALE



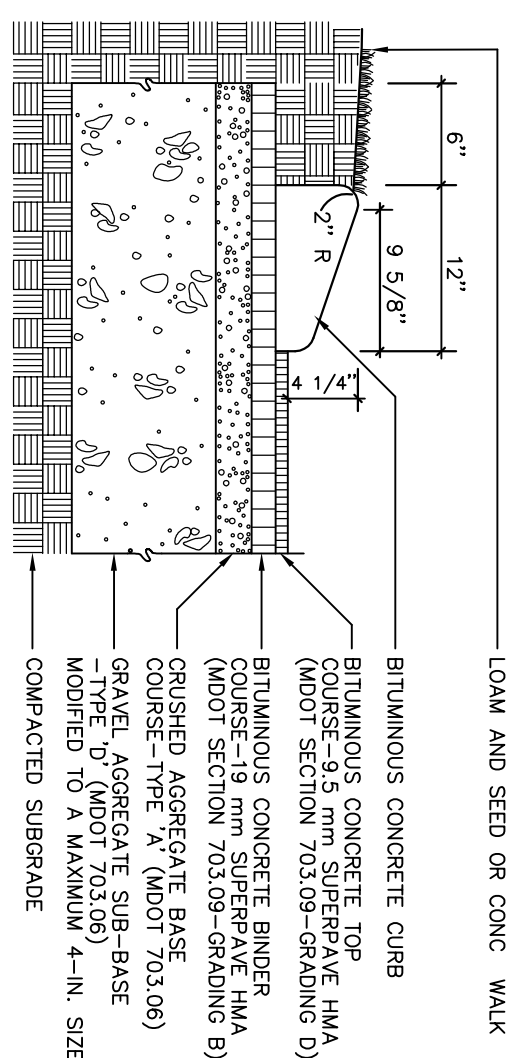
6 BRICK DRIVEWAY APRON
NOT TO SCALE



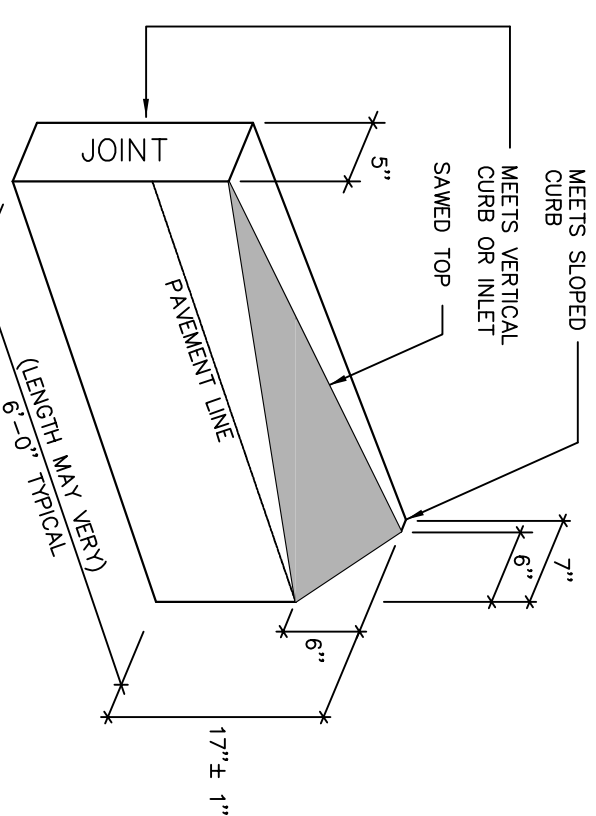
7 PAVEMENT SAWCUT DETAIL
NOT TO SCALE



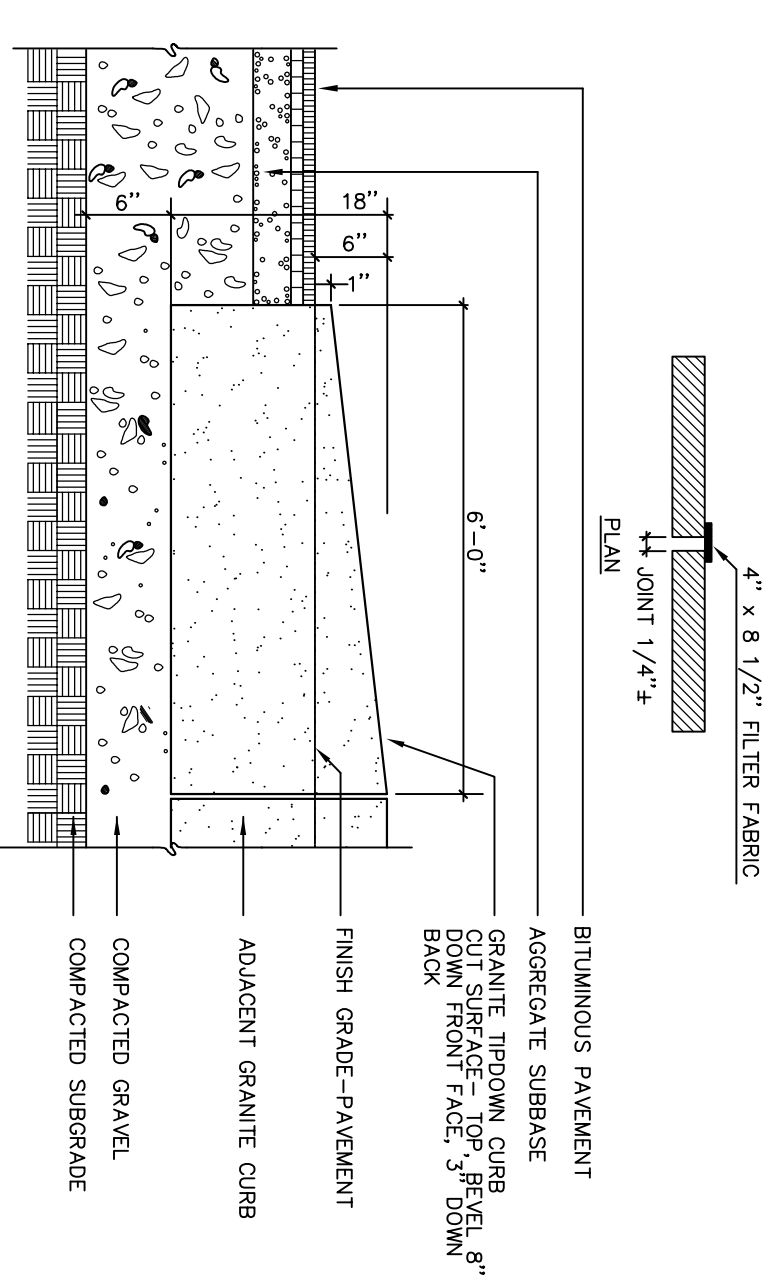
8 VERTICAL GRANITE CURB
NOT TO SCALE



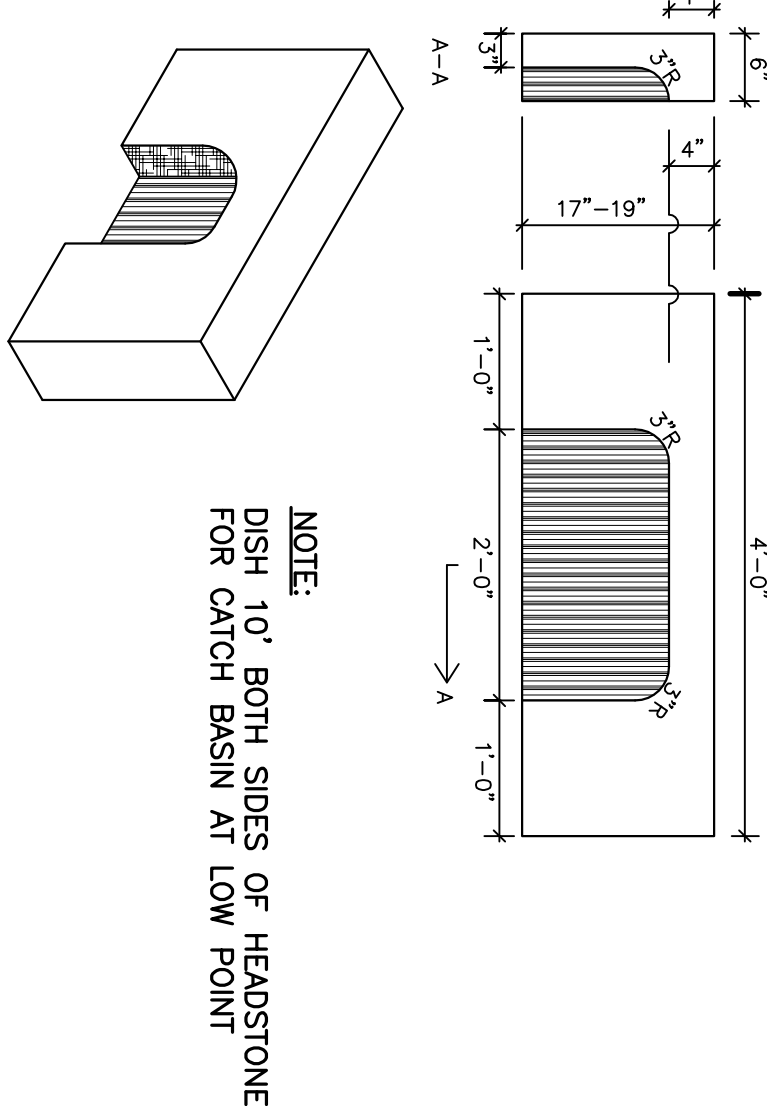
9 CAPE COD BITUMINOUS CURB
NOT TO SCALE



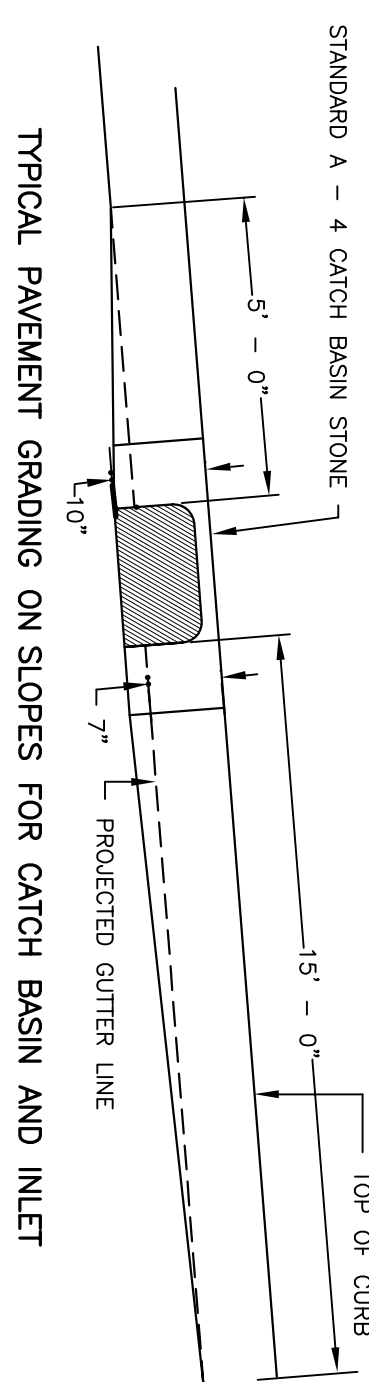
10 TRANSITIONAL CURB END
NOT TO SCALE



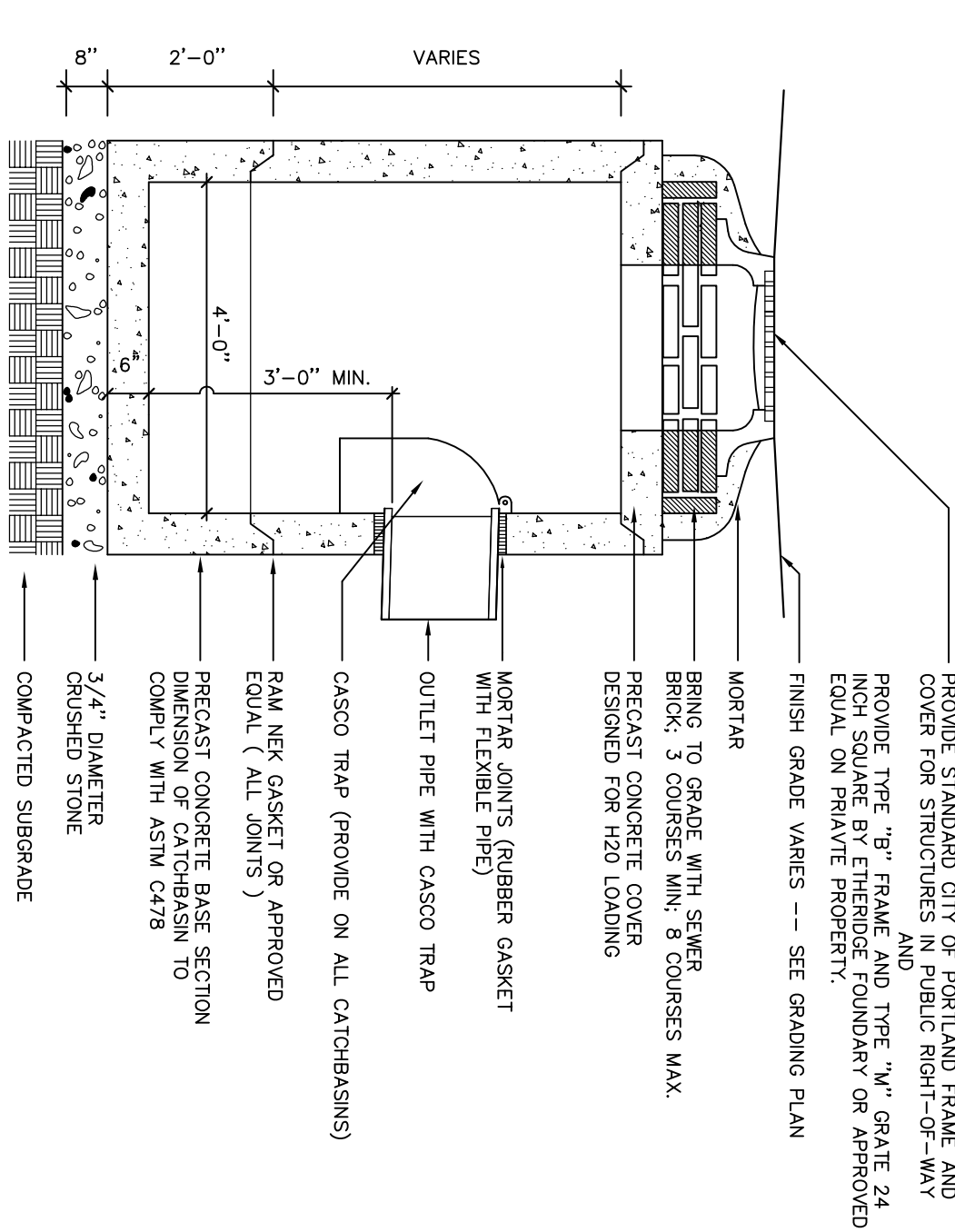
11 GRANITE TIP-DOWN CURB
NOT TO SCALE



NOTE:
DISH 10\"/>



12 GRANITE INLET STONE
NOT TO SCALE



13 PRECAST CONCRETE CATCHBASIN
NOT TO SCALE

PROVIDE STANDARD CITY OF PORTLAND FRAME AND COVER FOR STRUCTURES IN PUBLIC RIGHT-OF-WAY. PROVIDE TYPE "B" FRAME AND TYPE "M" GATE 24 INCH SQUARE BY ETHERIDGE FOUNDARY OR APPROVED EQUAL OR PRIVATE PROPRIETARY. FINISH GRADE VARIES - SEE GRADING PLAN.

MORTAR:
BRING TO GRADE WITH SEWER BRICK 3 COURSES MIN. 8 COURSES MAX. PRECAST CONCRETE COVER DESIGNED FOR 120 LBS/LIN.

MORTAR JOINTS (RUBBER GASKET WITH FLEXIBLE TIPS)
OUTLET PIPE WITH CASCO TRAP

CASCO TRAP (PROVIDE ON ALL CATCHBASINS)
RAM NEK GASKET OR APPROVED EQUAL (ALL JOINTS)
PRECAST CONCRETE BASE SECTION DIMENSION OF CATCHBASIN TO COMPLY WITH ASTM C419

3/4\"/>

NOTE: STRUCTURES SHALL CONFORM TO THE CITY OF PORTLAND TECHNICAL AND DESIGN STANDARDS AND GUIDELINES, LATEST EDITION.

Prepared For:
APPLICANT:
BAYSIDE VENTURES, LLC
50 Portland Pier, Suite 400
Portland, Maine 04101

Prepared By:
MITCHELL & ASSOCIATES
Landscape Architects
70 Center Street
Portland, Maine 04101
Tel: (207) 774-4427

MULTI-TENANT OFFICE BUILDING

63 Marginal Way Portland, Maine

Date: JUNE 30, 2005

Revisions:
AUG 3 2005: ENGINEER REVIEW
AUG 30 2005: STAFF REVIEW
SEPT 29 2005: STAFF REVIEW
OCT 13 2005: STAFF REVIEW
NOV 16 2005: CONDITIONS OF APPROVAL

Reproduction or reuse of this drawing without the expressed written consent of Mitchell & Associates is prohibited.

SITE DETAILS

Scale:

North:

Sheet No.: 5

ISSUED FOR PERMITTING
11/11/2005