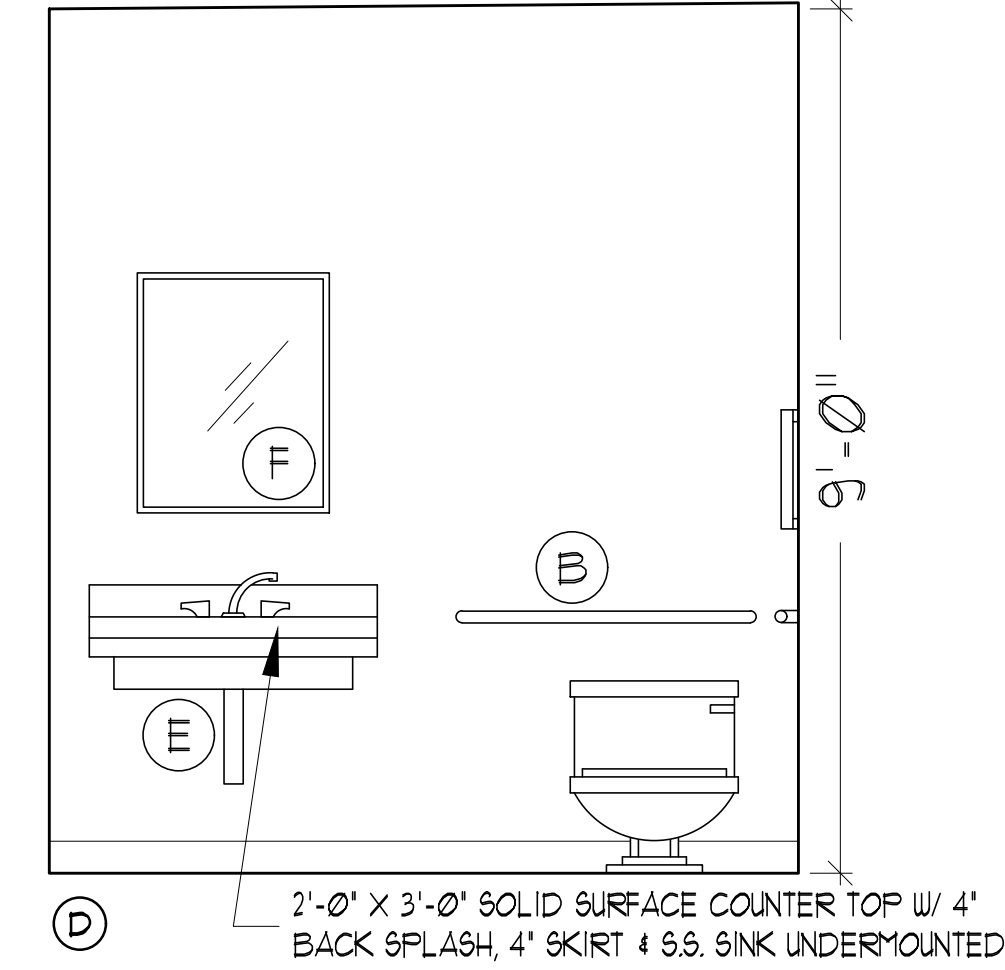
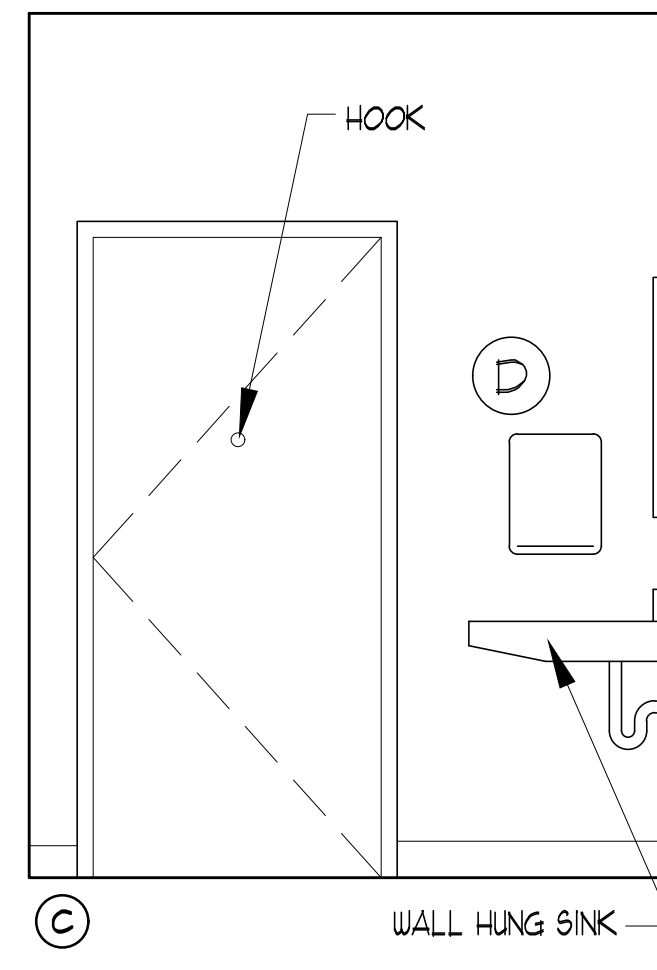
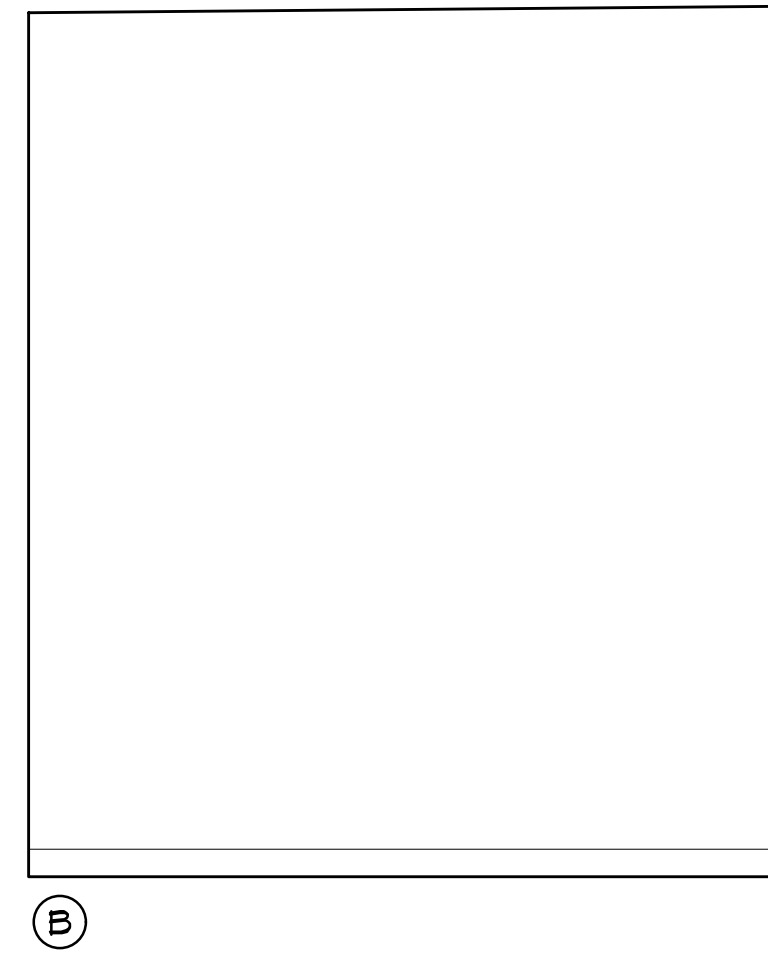
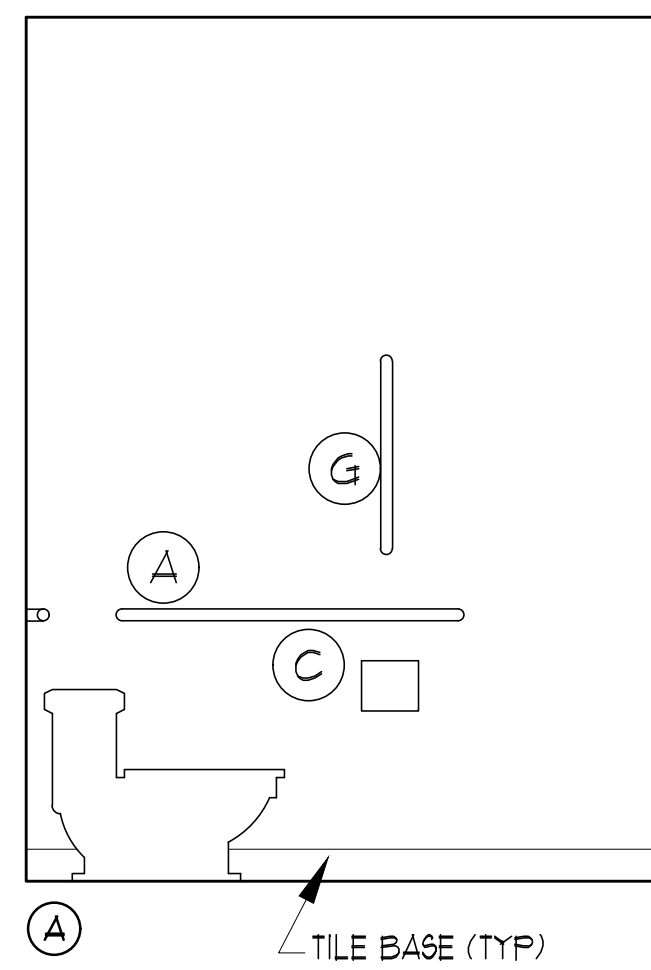
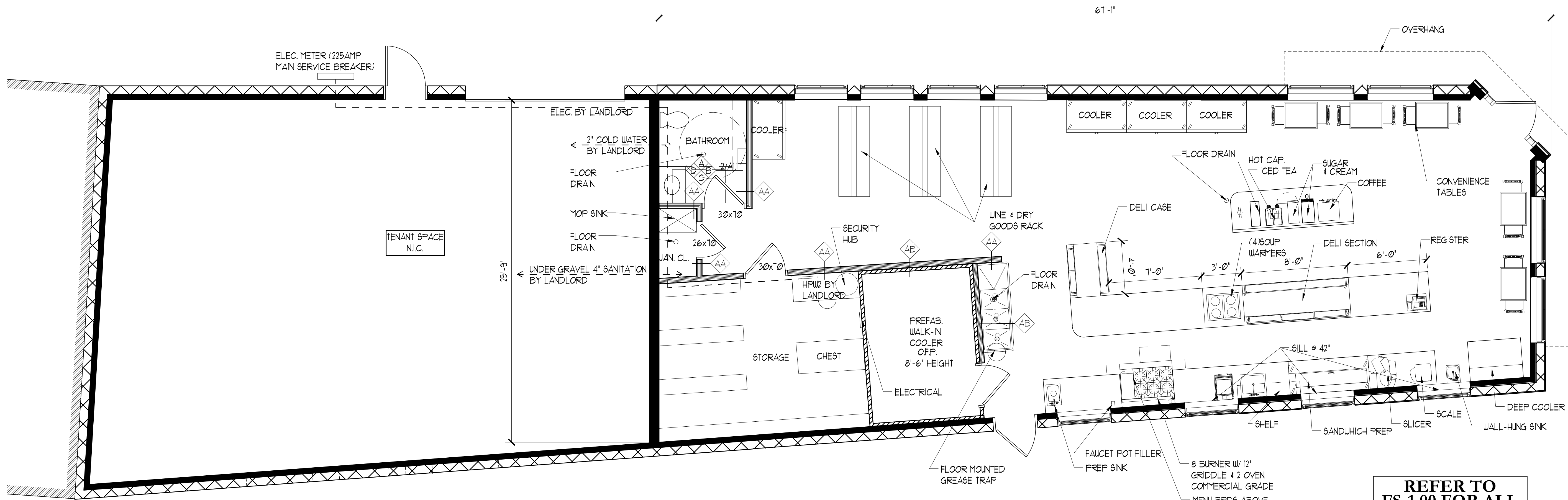


3/8" MTL STUD @ 16" O.C. AA
3/8" MTL STUD @ 16" O.C. (GWB ON NON-COOLER SIDE) AB

BATHROOM ACCESSORIES SCHEDULE			
NUMBER	ITEM	MOUNTING HEIGHT	NOTES
(A)	3'-6" 1/2" DIA GRAB BAR	CL @ 2'-10" AFF	---
(B)	3'-0" 1/2" DIA GRAB BAR	CL @ 2'-10" AFF	---
(C)	TOILET PAPER DISPENSER	CL @ 20" AFF	FBO/BC
(D)	PAPER TOWEL DISPENSER	TOUELS @ 42" AFF	FBO/BC
(E)	LAV. GAIRD	---	---
(F)	24" x 36" MIRROR	BOTTOM @ 40" AFF	---
(G)	2'-4" 1/2" DIA GRAB BAR	BOT @ 3'-6" AFF	90°



2 INTERIOR BATHROOM ELEVATIONS
SCALE: 1/2" = 1'-0"

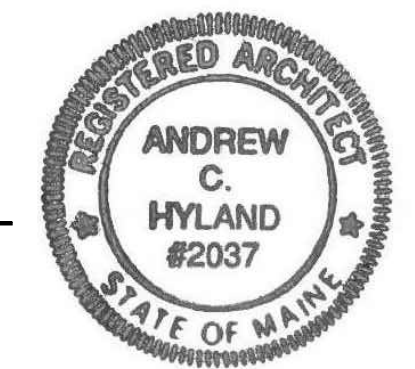


REFER TO FS-1.00 FOR ALL FOOD SERVICE EQUIPMENT

1 FLOOR PLAN - FIRST FLOOR
SCALE: 1/4" = 1'-0"



65 NEWBURY STREET
PORTLAND, ME 04101
207.761.9000



Consultants:

PERMIT SET

LEAVITT & SONS
Portland, Maine

DATE	DESCRIPTION

Date Issued March 1st, 2017
Project Number 16203
Drawing Scale AS NOTED

SHEET NAME
**FLOOR PLAN/
INTERIOR
ELEVATION**

Drawn By CR
Checked By ACH
A 1.1