

Prepared For:
**NORTHLAND
 MANAGEMENT
 CORP.**
 17 South Street, 3rd Floor
 Portland, ME 04101

Consultant:
**ARCHETYPE
 architects**
 48 Union Wharf Portland, Maine 04101
 (207) 772-6022 ARCHETYPE@ARCHETYPEPA.COM

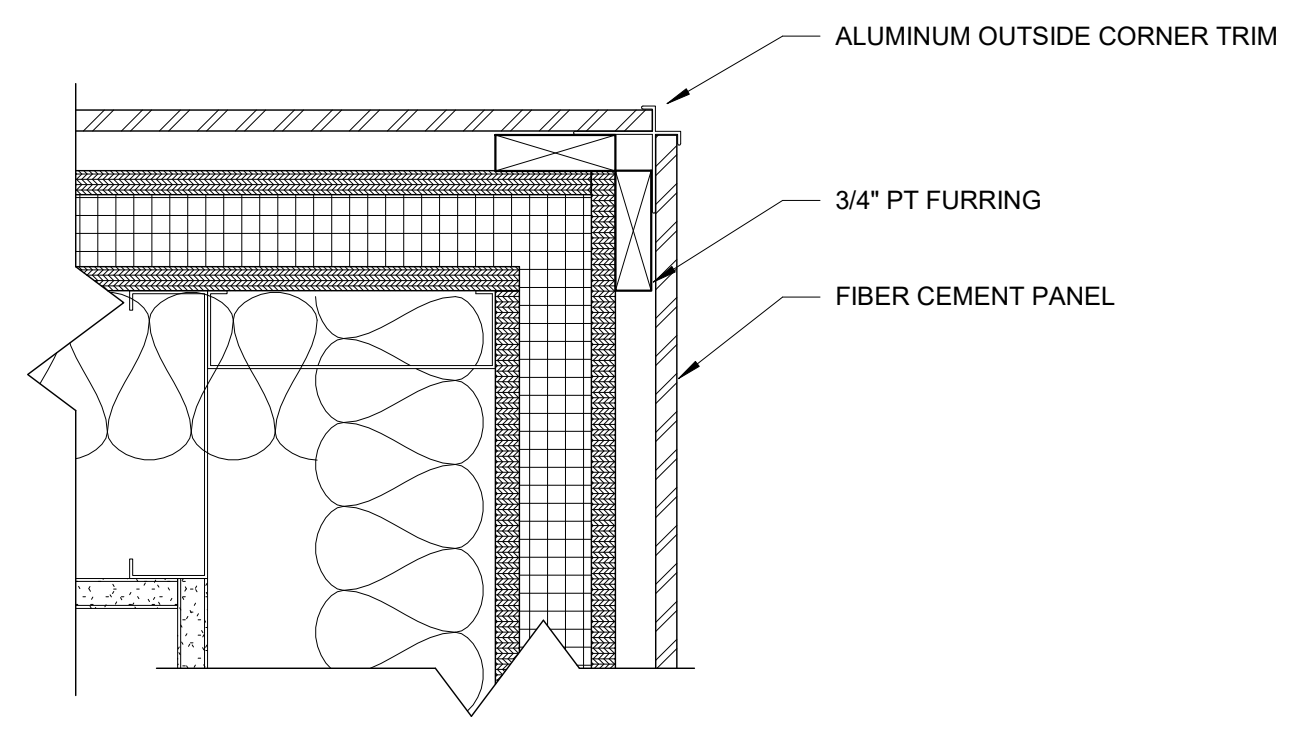
Project:
200 KENNEBEC

Revisions:
 1 | 10/12/16 | SHELL REDESIGN

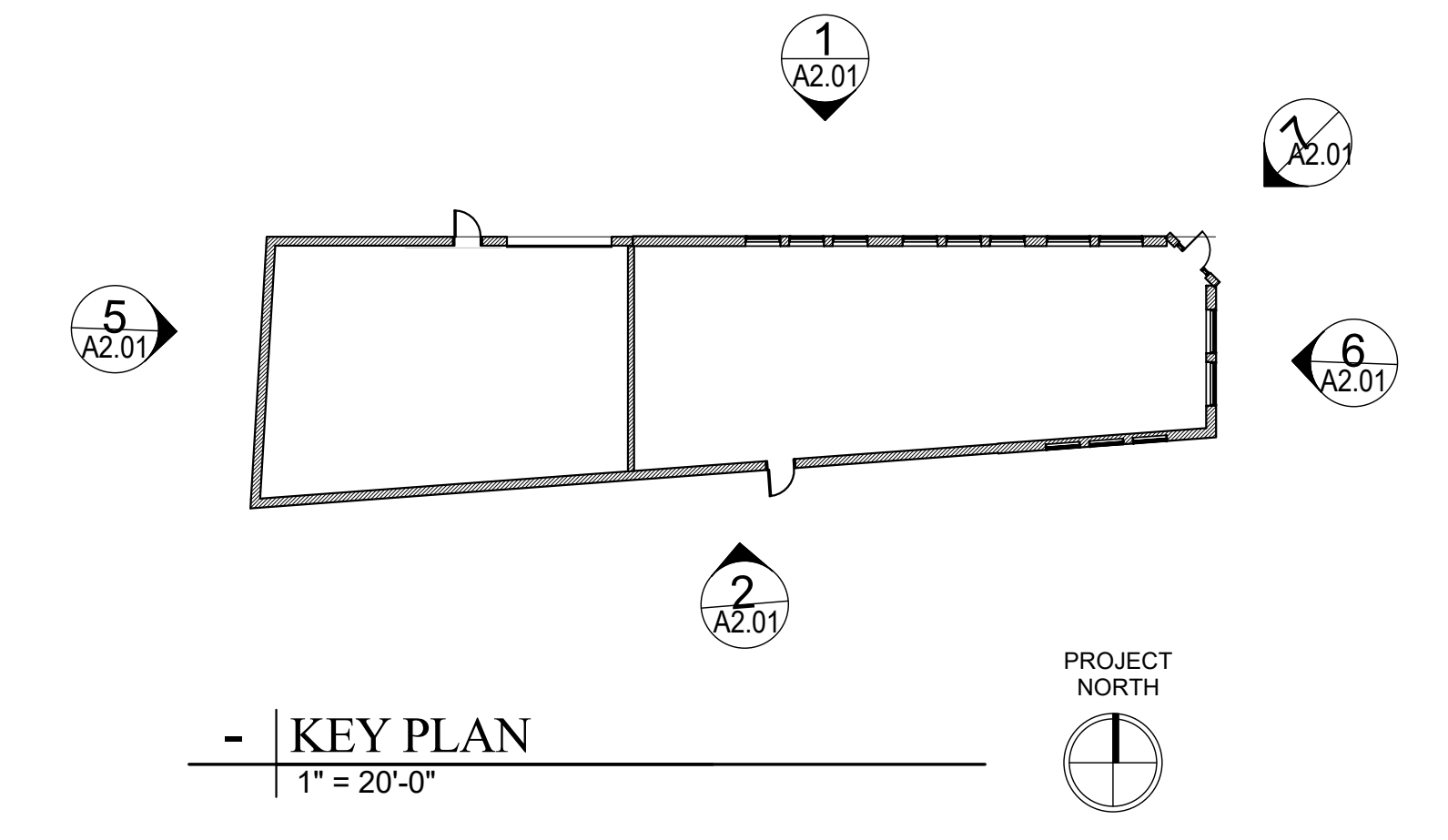
Scale:
 As indicated

Date:
 12/29/2015

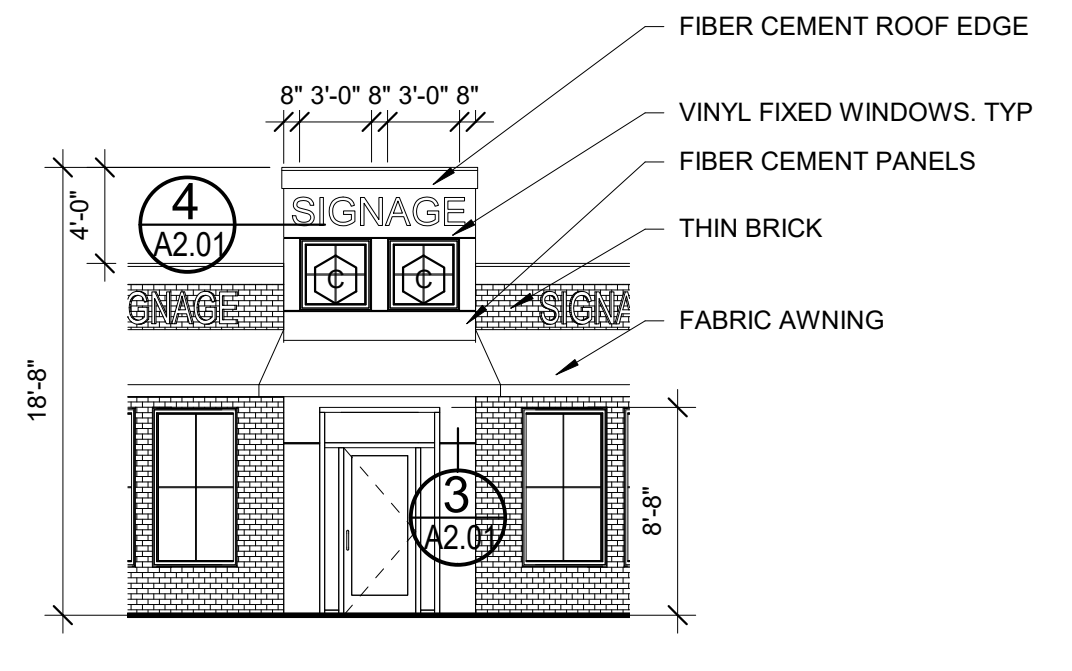
ELEVATIONS



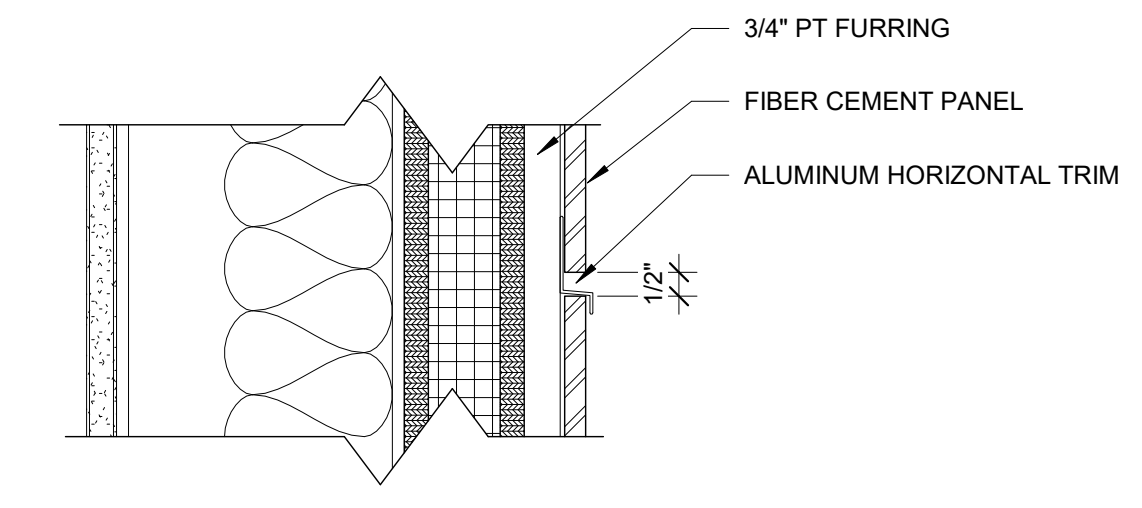
4 | TYPICAL FIBER CEMENT OUTSIDE CORNER DETAIL
 3" = 1'-0"



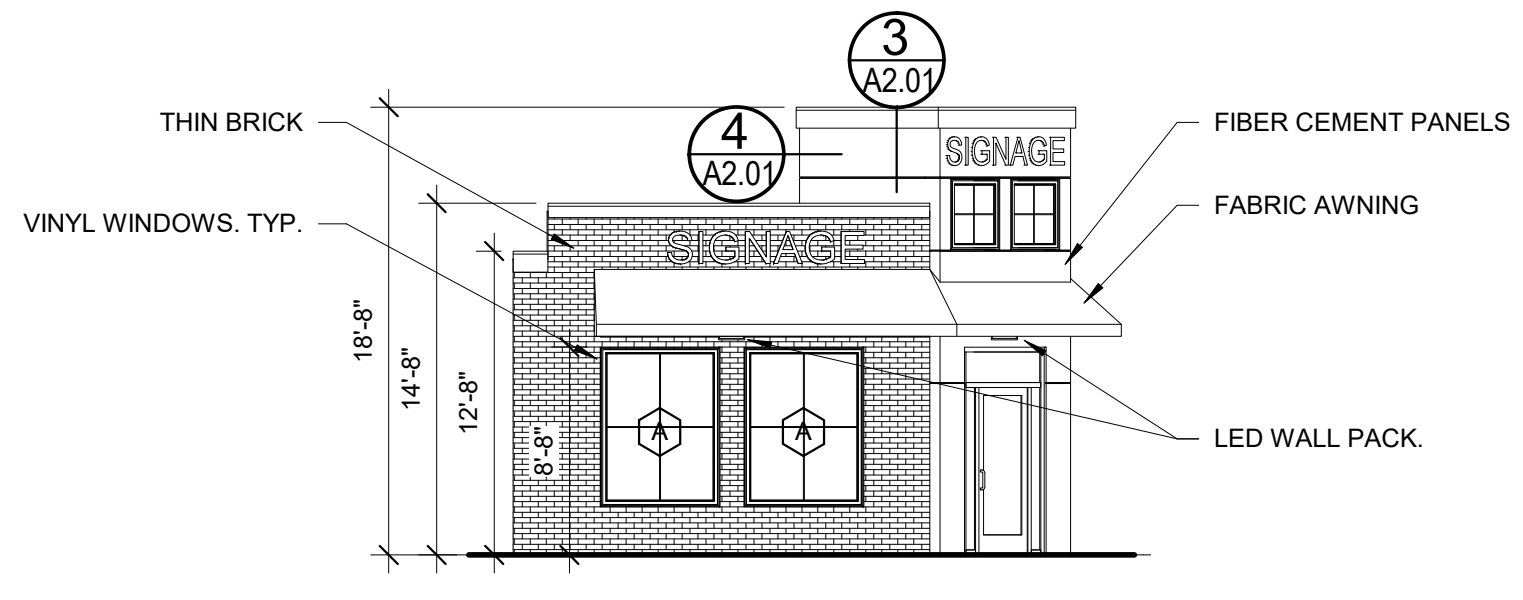
KEY PLAN
 1" = 20'-0"



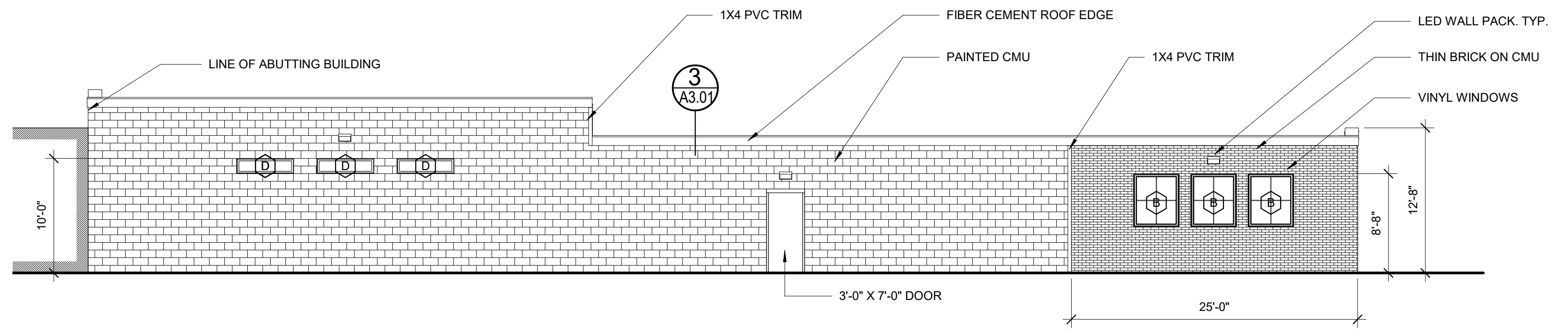
7 | ENTRANCE ELEVATION
 1/8" = 1'-0"



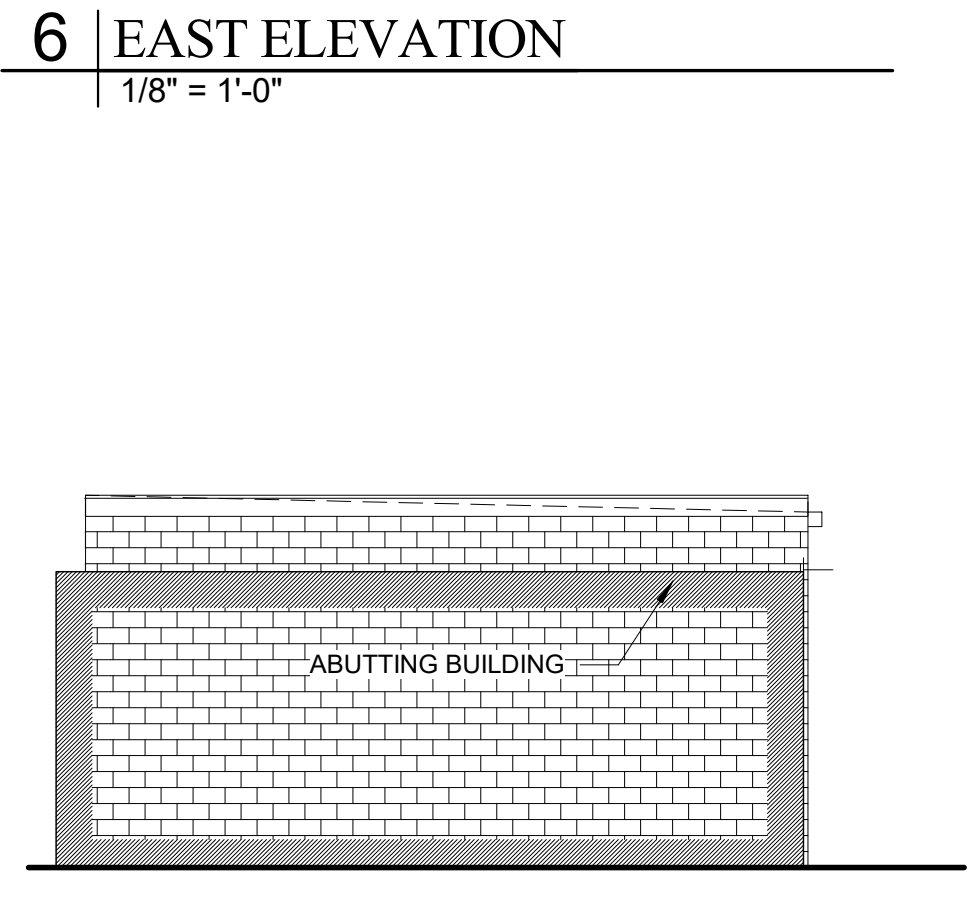
3 | TYPICAL FIBER CEMENT HORIZONTAL JOINT DETAIL
 3" = 1'-0"



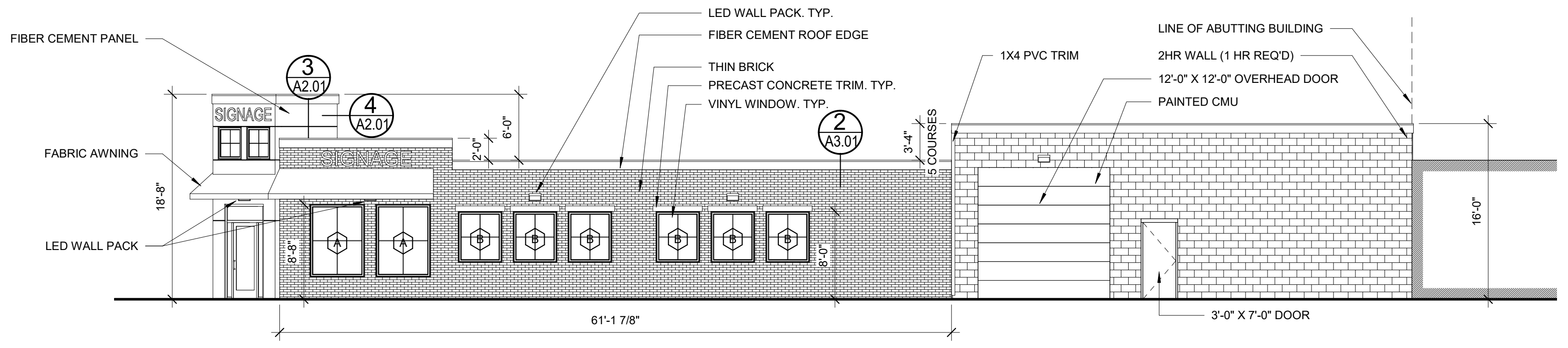
6 | EAST ELEVATION
 1/8" = 1'-0"



2 | SOUTH ELEVATION
 1/8" = 1'-0"



5 | WEST ELEVATION
 1/8" = 1'-0"



1 | NORTH ELEVATION
 1/8" = 1'-0"