

Prepared For:
**NORTHLAND
 MANAGEMENT
 CORP.**
 17 South Street, 3rd Floor
 Portland, ME 04101

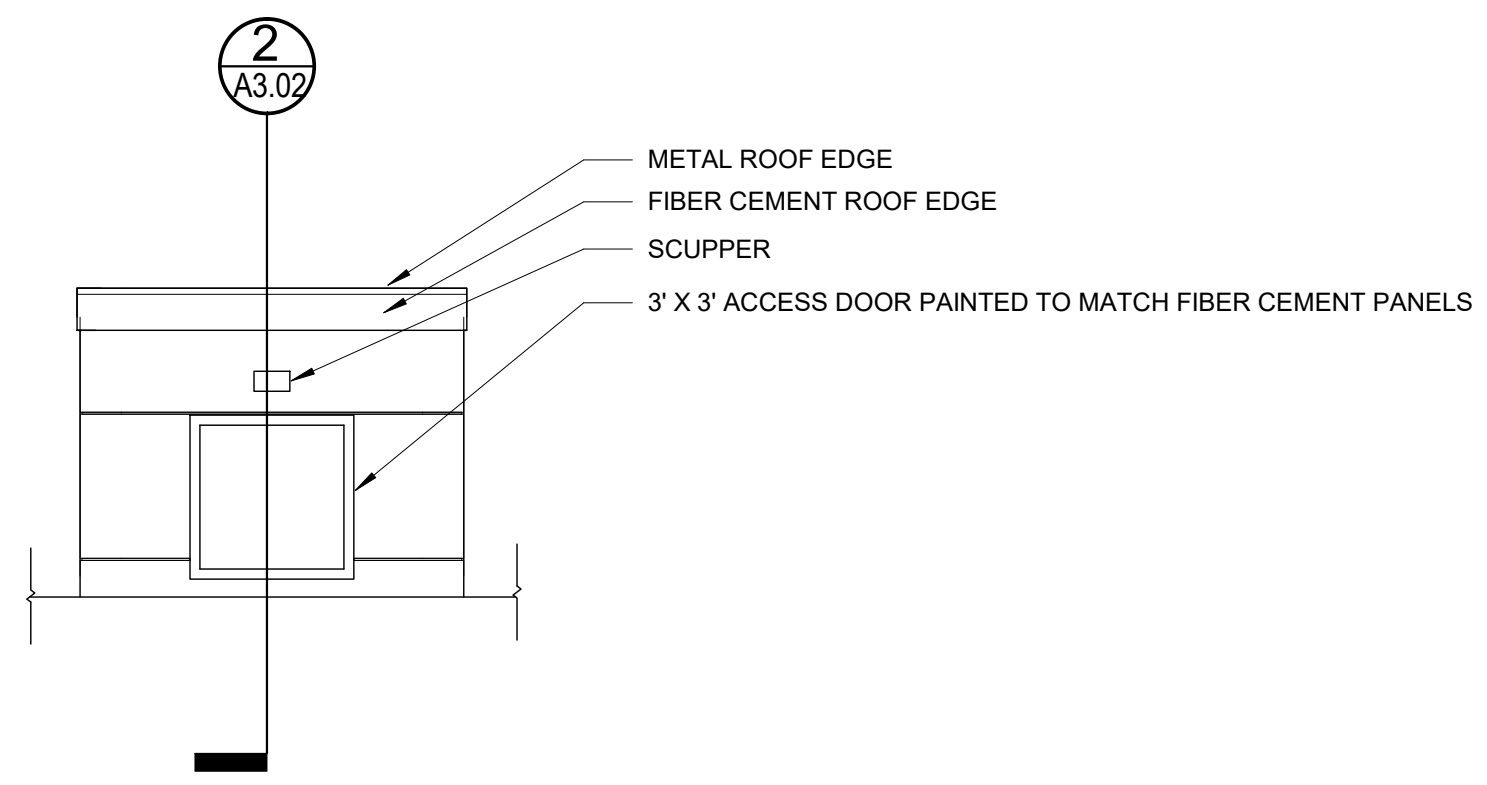
Consultant:
**ARCHETYPE
 architects**
 48 Union Wharf Portland, Maine 04101
 (207) 772-6022 ARCHETYPE@ARCHETYPEPA.COM

Project:
200 KENNEBEC

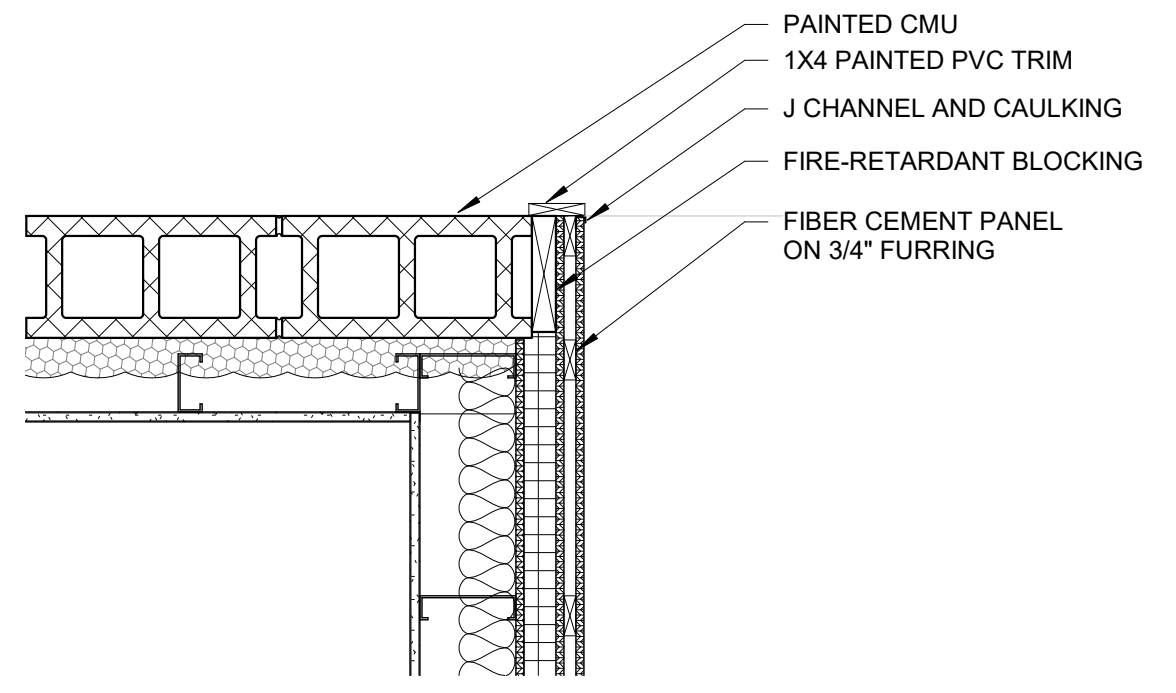
Revisions:
 1 | 10/12/16 | SHELL REDESIGN

Date:
 12/29/2015
 Scale:
 As indicated
**FLOOR AND ROOF
 PLAN**

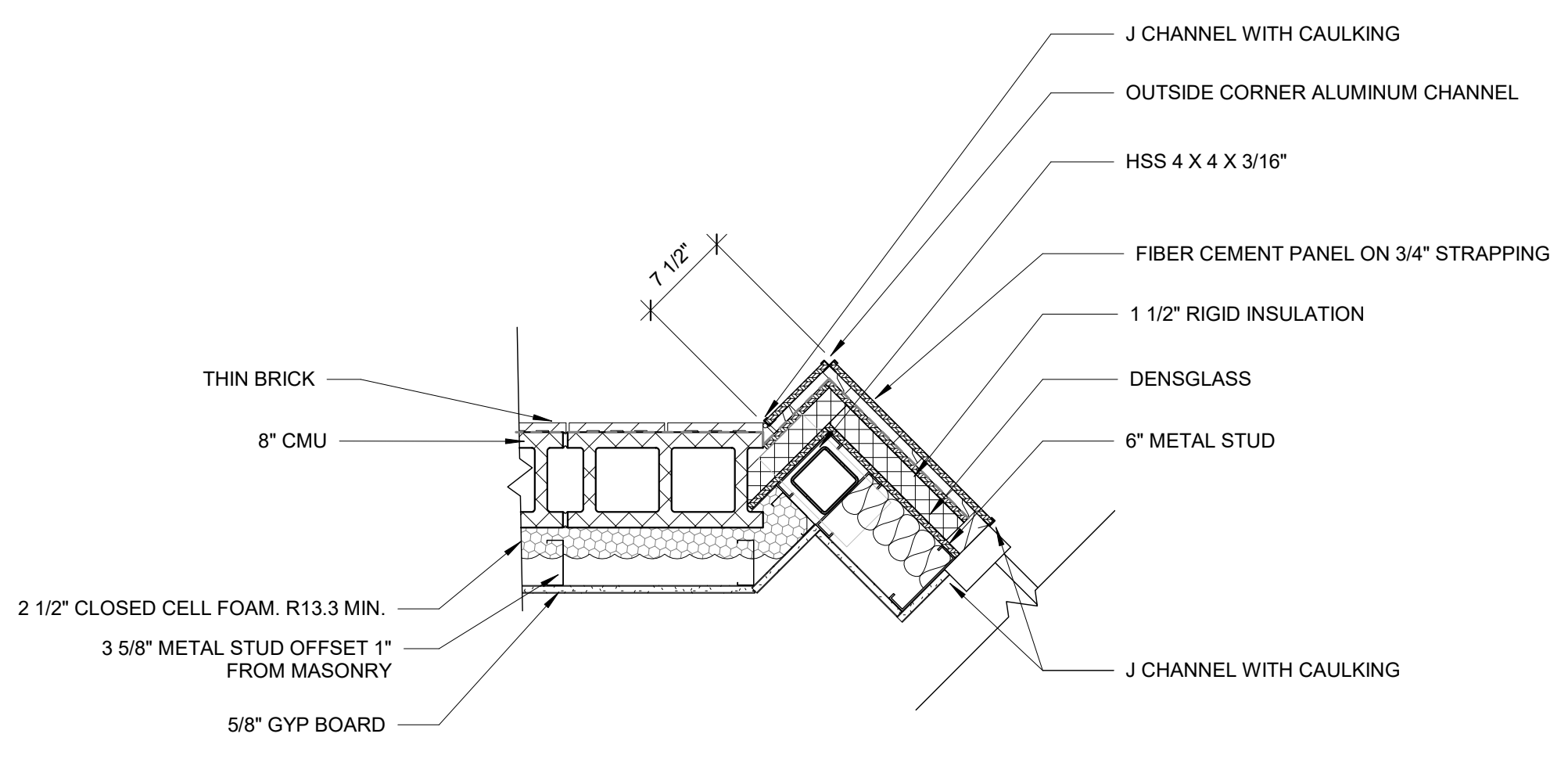
A1.01



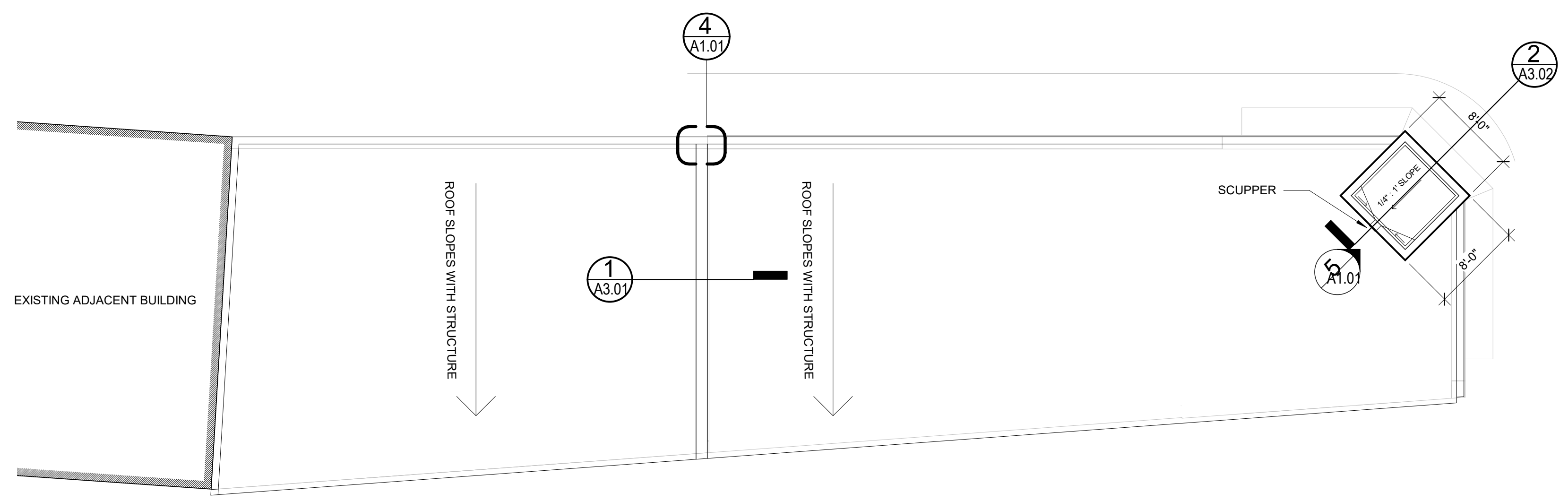
5 | ACCESS PANEL AT REAR OF ENTRY TOWER
 1/4" = 1'-0"



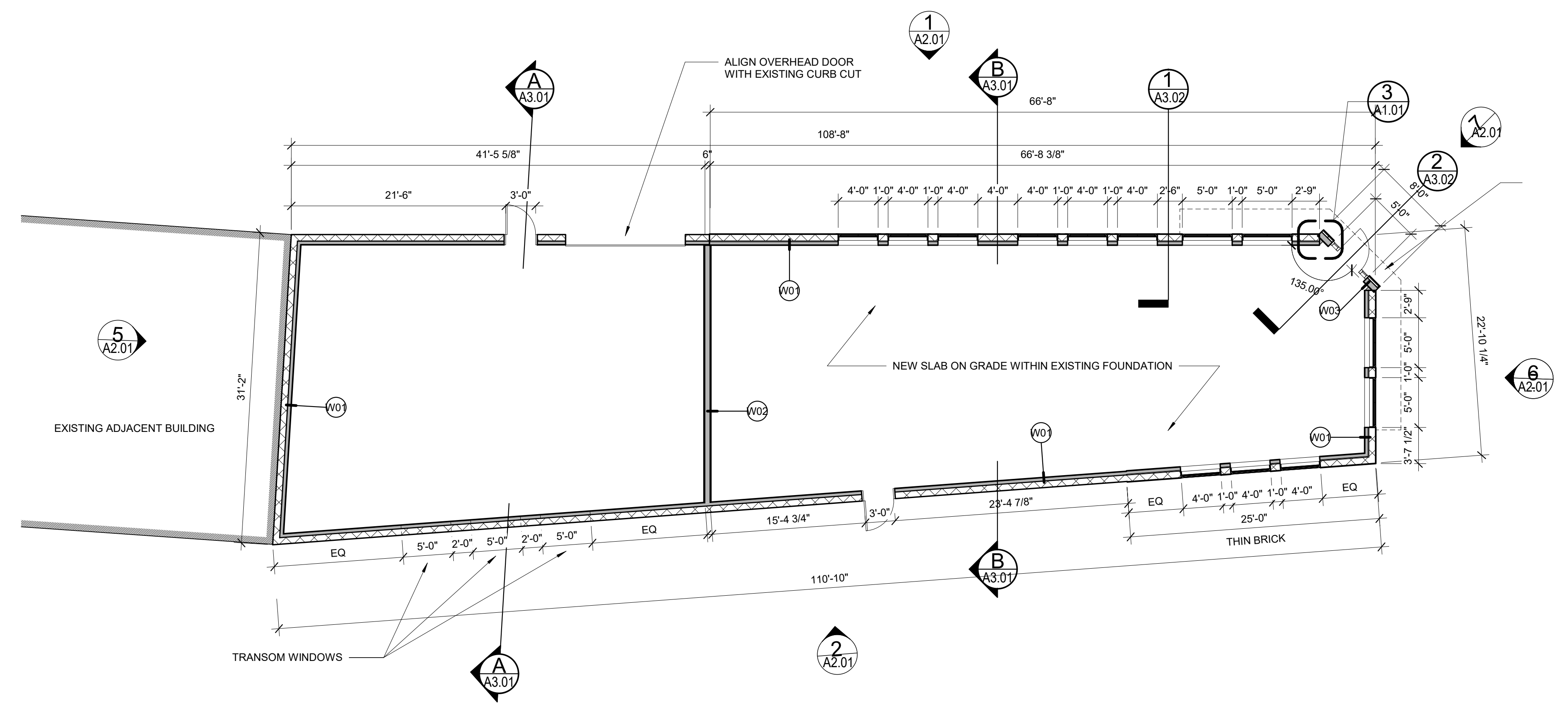
4 | FC PANEL AT CMU CORNER
 1" = 1'-0"



3 | ENTRY CORNER DETAIL PLAN
 1" = 1'-0"



2 | WAREHOUSE ROOF PLAN
 1/8" = 1'-0"



1 | WAREHOUSE PLAN
 1/8" = 1'-0"

