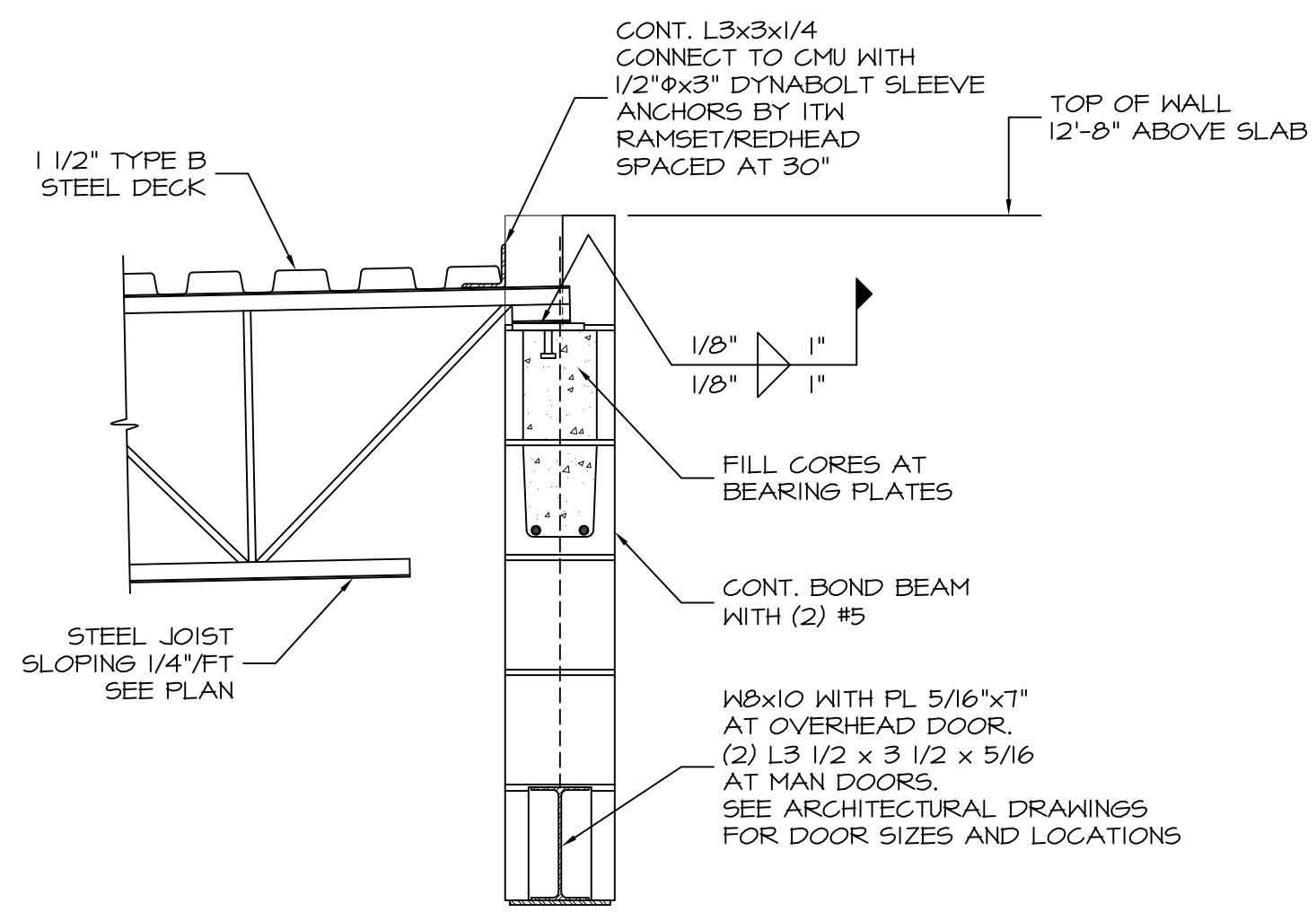


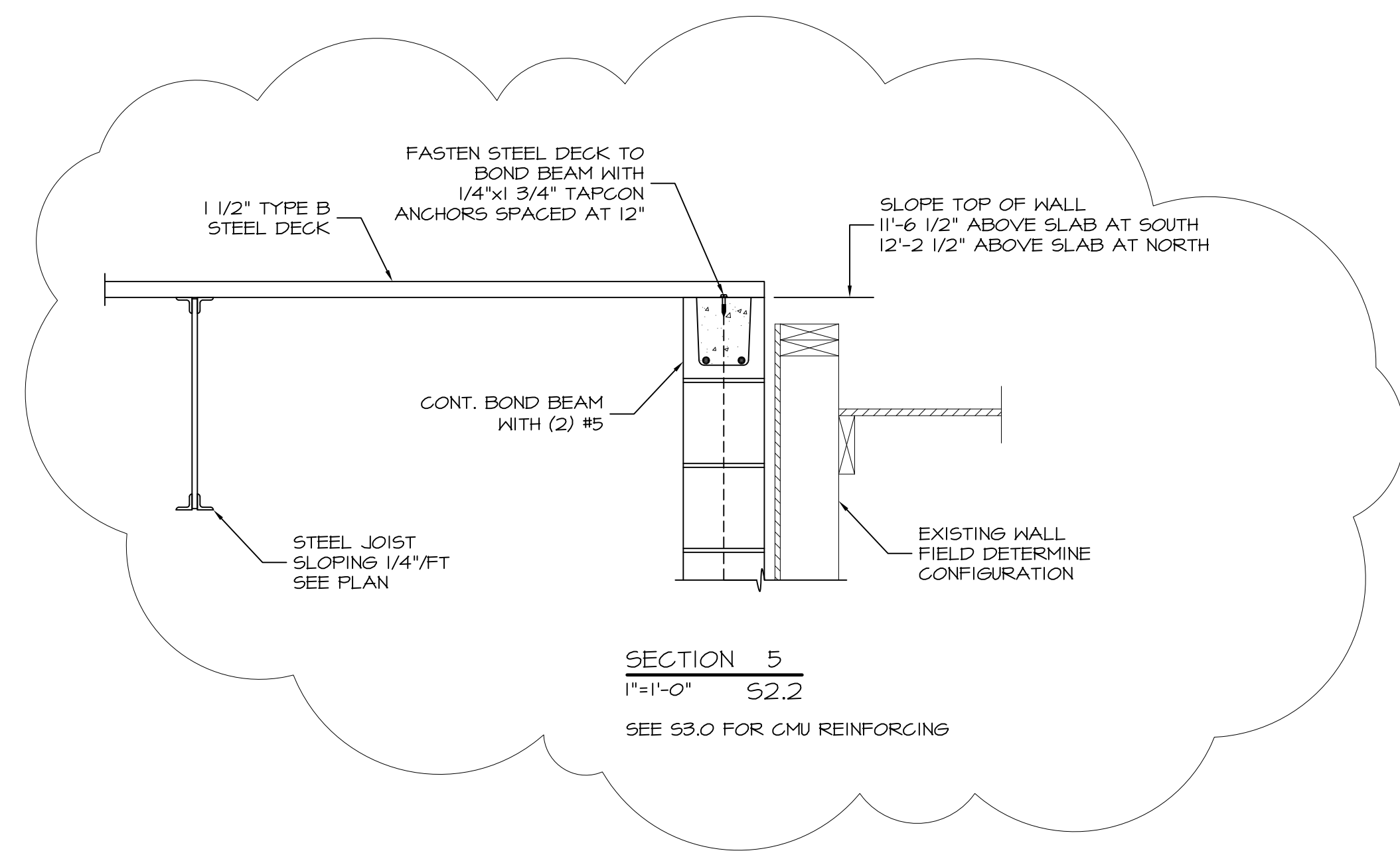
SECTION 3
1"=1'-0" S2.2

SEE S3.0 FOR CMU REINFORCING



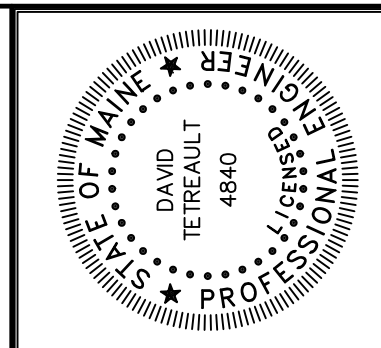
SECTION 4
1"=1'-0" S2.2

SEE S3.0 FOR CMU REINFORCING



SECTION 5
1"=1'-0" S2.2

SEE S3.0 FOR CMU REINFORCING



Prepared For:
Northland Enterprises, LLC
ONE CITY CENTER
PORTLAND, MAINE

Structural Engineer:
STRUCTURAL DESIGN CONSULTING
22 Oakmont Drive
Old Orchard Beach, ME 04064-1121
Tel: 207-934-8638
Fax: 207-934-8639

Architect:
ARCHITECTYPE architects
48 Union Wharf Portland, Maine 04101
(207) 772-6022 Fax (207) 772-4056

Project:
CENTURY TIRE
815 MARGINAL WAY
PORTLAND, MAINE

Revisions:	Issued for Construction	Date
Rev 1	07/17/15	05/08/15

Date: 16 Mar 15
Scale: As Noted

FRAMING SECTIONS

S4.2