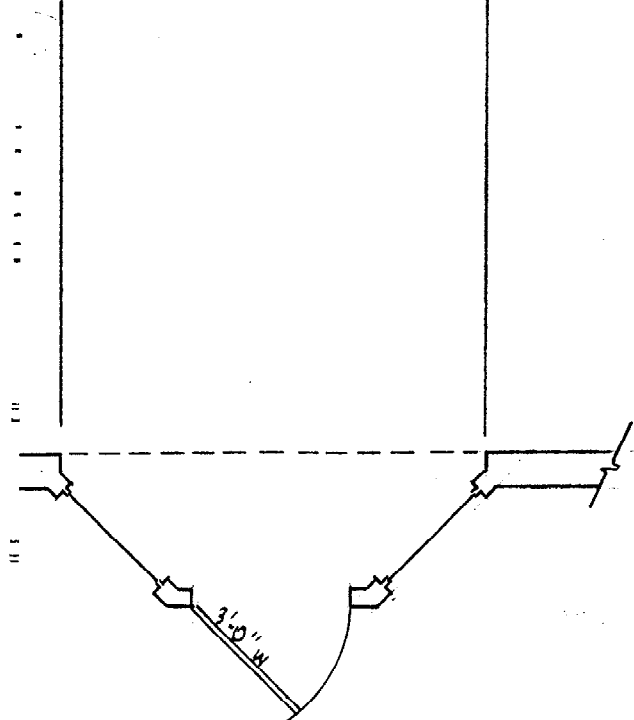


NEW SIGNAGE  
 RAISED LETTERS ON  
 METAL BACKGROUND

BZ Zone

80 x 1.5 =

Adhesive Fastening  
 metal sheeting fastened  
 w/ Anchors



PLAN OF ENTRANCE

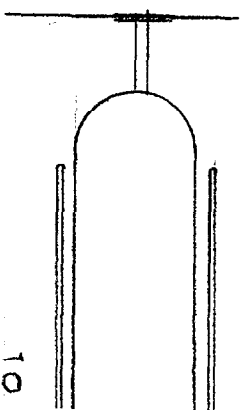
D STREET DINER

E. SCALE 1/4" = 1'-0"

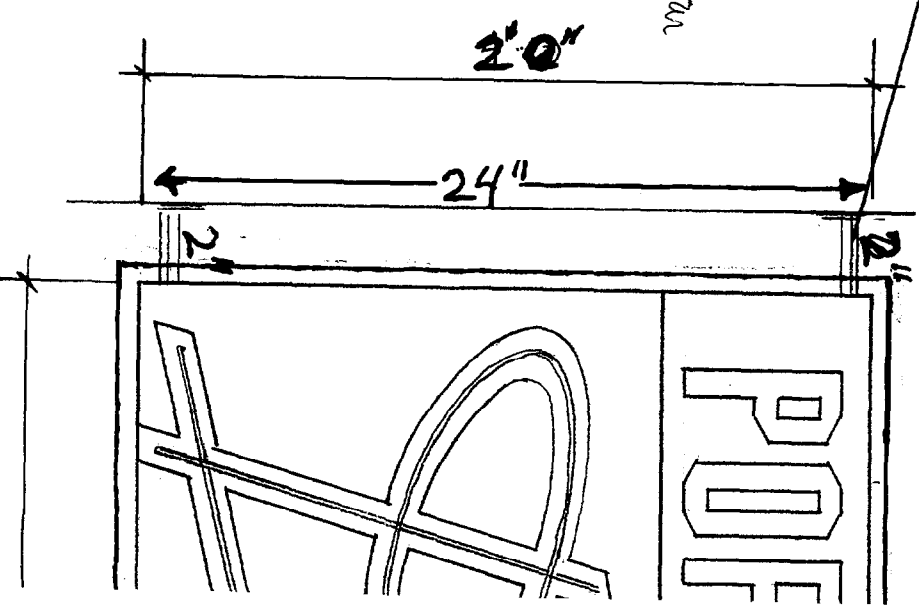
MARCH 7, 2004

BRACKET ATTACHED TO BLD

Pre-Fab Angle  
Bracket  
Bolted to brickwork  
w/ guide wires

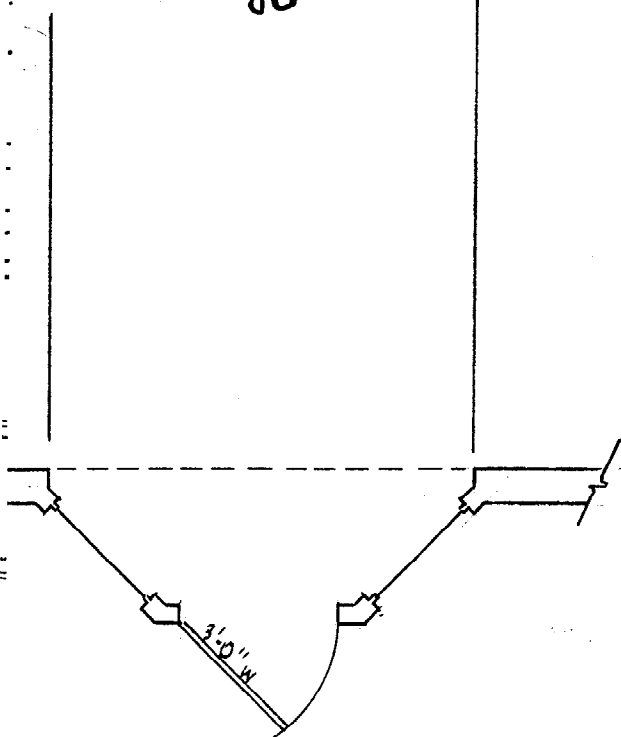
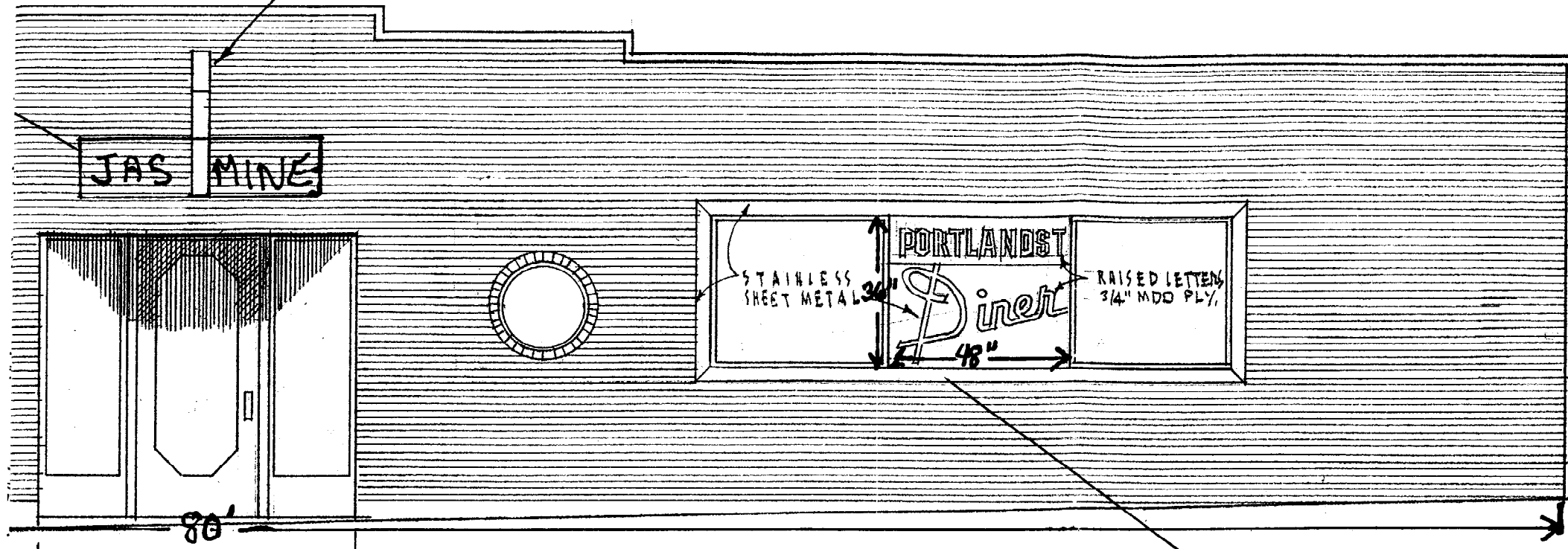


10



former "JASMINE" 24" x 36"

Attached to BLD.  
with Hanging Bracket



PLAN OF ENTRANCE

STREET DINER

E. SCALE 1/4" = 1'-0"

MARCH 7, 2004

BZ Zone

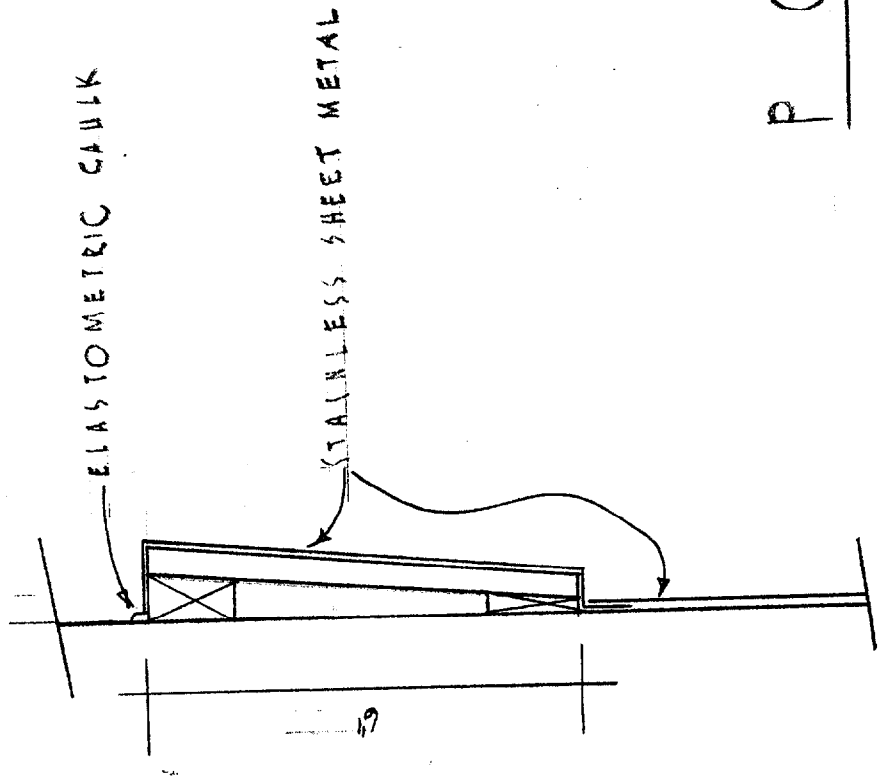
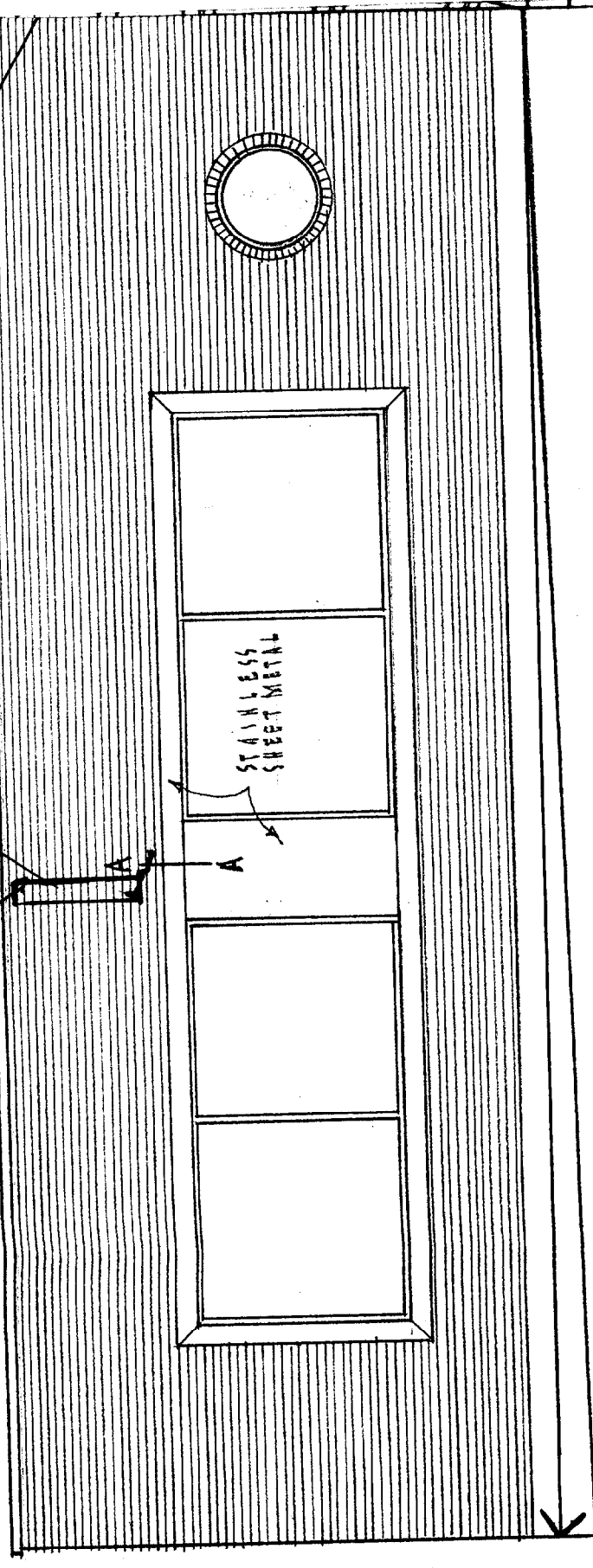
80 x 1.5 =

New Signage  
RAISED letters ON  
METAL Background

Adhesive Fastening  
metal sheeting Fastened  
w/ Anchors

FORMER SIGN LOCATION  
16" x 72"

removed



SECTION A-A

P O R T L A N D

40 PORTLAND ST. PORTLAND, ME