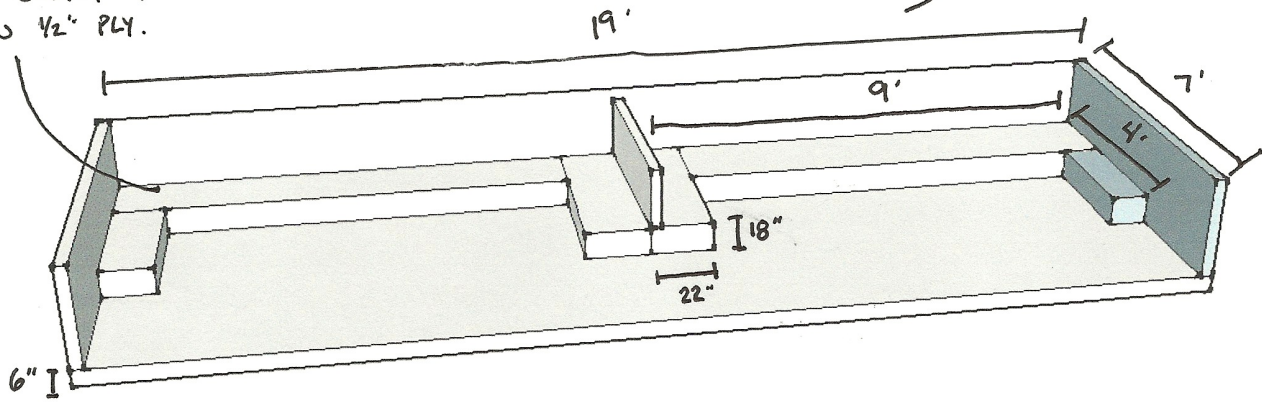


RAISED "SNUG"  
SEATING AREA

TOTAL SQ FT = 133

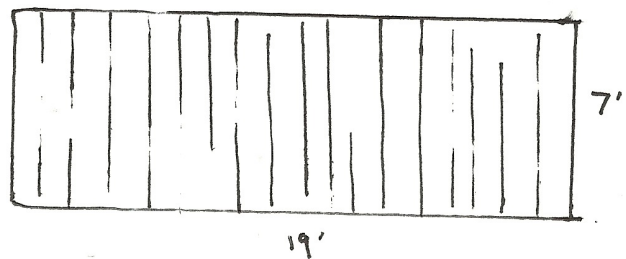
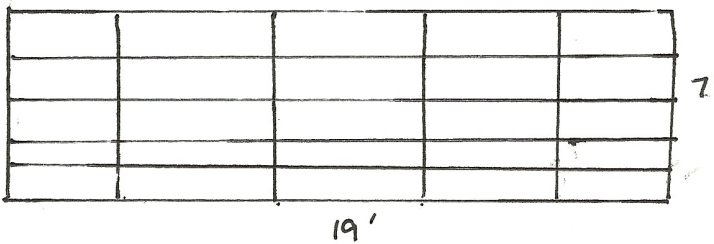
BENCH SEATING 22" WIDE, 18" HIGH  
FRAMED IN 2x4  
SUPPORTED EVERY 4'  
WRAPPED IN 1/2" PLY.

BACK WALL TO BE ATTACHED  
TO EXISTING CONCRETE WALL

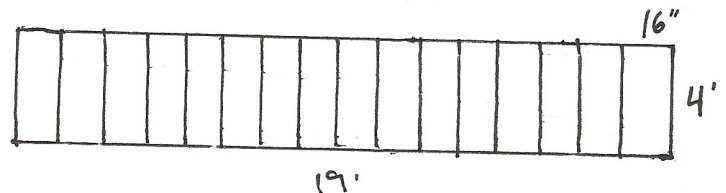
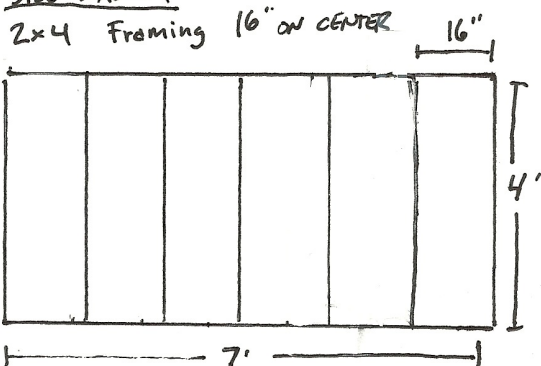


FLOOR: 2x4 16" ON CENTER 4' BLOCKING

FLOOR: FLOORING IS 3/4" THICK PLANKS.



SIDE WALLS:  
2x4 Framing 16" ON CENTER



BACK WALL

2x4 FRAMING 16" ON CENTER  
SIDE + BACK WALLS COVERED IN 1/2" PLY