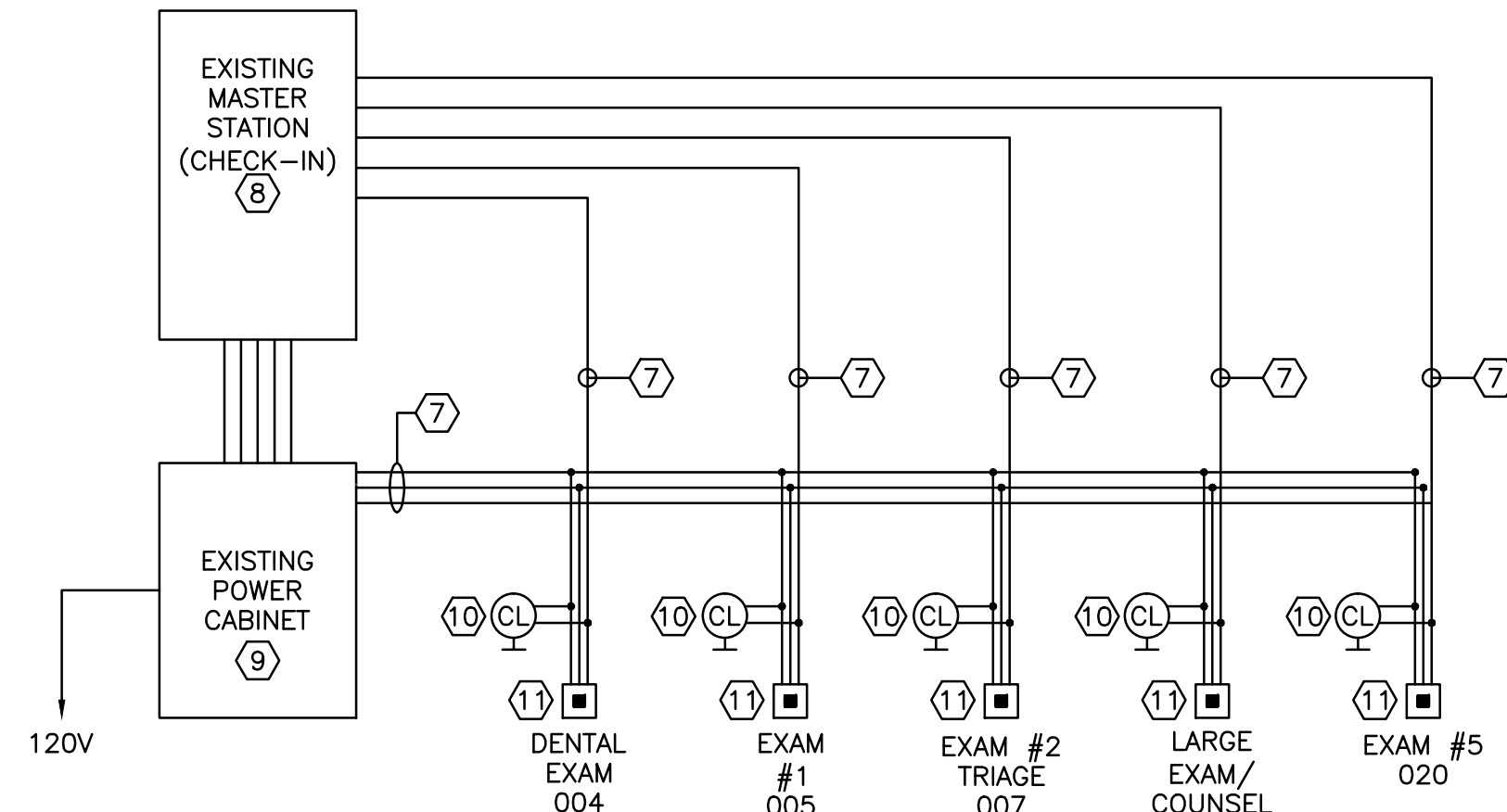


1 ELECTRICAL POWER & SYSTEMS PLAN
SCALE: 1/4"=1'



2 NURSE CALL RISER
SCALE: NOT TO SCALE

DIRECTORY	KVA LOAD			CKT #	BKR AMPS	PHASE	BKR AMPS	CKT #	KVA LOAD			DIRECTORY		
	A	B	C						A	B	C			
SPARE	*			1	20	A		2	5.0			ROOFTOP CONDENSER CU-3		
DENTAL EXAM RECEPTS		*		3	20	B	50	4		5.0				
DENTAL CHAIR 1			*	5	20	C		6			5.0			
DENTAL CHAIR 2	*			7	20	A		8	0.4			AIR HANDLER 3		
STAFF ROOM		*		9	20	B	20	10		0.4				
SPARE			*	11	20	C	30	12			2.3	ROOFTOP CONDENSER CU-10		
DENTAL ROOMS	*			13	20	A		14	2.3					
DENTAL EQUIP PROC. RECEPTS	0.8			15	20	B	20	16		0.4		AIR HANDLER #10		
CHECK-IN RECEPTS			*	17	20	C	20	18			0.5	EXISTING EMERGENCY LTS		
LARGE EXAM/COUNSEL RECEPTS	0.8			19	20	A	20	20	0.8			TELEPHONE PANEL		
COUNSEL, TOILET		*		21	20	B	20	22		1.5		CORRIDOR LTS		
WAITING AREA RECEPTS		*		23	20	C	20	24			1.0	CORRIDOR LTS		
CHECK-IN RECEPTS	1.4			25	20	A	20/20	26	1.2			XRAY RECEPTS		
EXISTING CIRCUIT		*		27	20	B	20	28		1.2		XRAY RECEPTS		
EXISTING CIRCUIT		*		29	20	C	20	30		*		XRAY PANOGRAPH		
PANEL P1	3.5			31		A		32	2.3					
		3.5		33	60	B	30	34		2.3		WATER HEATER		
			4.1	35		C	20	36		*		DENTAL AIR COMPRESSOR		
BATHROOM	*			37	20	A	20	38	*			DENTAL VACUUM		
EXAM #1 RECEPTS	0.8			39	20	B	20	40		*		SPARE		
DENTAL EXAM RECEPTS		*		41	20	C	20	42		*		SPARE		
SUBTOTAL	###	###	###						###	###	###	SUBTOTAL		
VOLTAGE: 208Y/120V PHASE: 3				POLES: 4				TOTAL KVA A-PHASE				###	PANEL	P
MAIN LUGS ONLY				BUS AMPS: 200A				TOTAL KVA B-PHASE				###		
MOUNTING: RECESSED								TOTAL KVA C-PHASE				###	LOCATION	CORRIDOR 012
SHORT CIRCUIT RATING: 10KAIC								TOTAL KVA				###		
NOTES: FOR ANY NEW BREAKERS REQUIRED, MATCH MANUFACTURER PART TYPE AND KAIC RATING TO EXISTING BREAKERS IN PANEL.														

DIRECTORY	KVA LOAD			CKT #	BKR AMPS	PHASE	BKR AMPS	CKT #	KVA LOAD			DIRECTORY		
	A	B	C						A	B	C			
SPARE	*			1	20	A		2	0.4			ERV-1		
STAFF TEAM ROOM RECEPTS		1.2		3	20	B	15	4		0.4		ERV MODS		
STAFF TEAM ROOM RECEPTS			1.4	5	20	C	20	6			0.1			
CHECK-IN COPIER	1.0			7	20	A		8	0.9			ENTRANCE ELECTRIC BASEBOARD HEAT		
CARD ACCESS PANEL		1.0		9	20	B	15	10		0.9				
UNDERCOUNTER REFRIGERATOR			1.0	11	20	C	20	12			1.0	CLINICAL LAB RECEPTS		
UNDERCOUNTER REFRIGERATOR	1.0			13	20	A	20	14	0.2			PHLEBOTOMY ALCOVE RECEPTS		
UNDERCOUNTER REFRIGERATOR		1.0		15	20	B	20	16		*		SPARE		
EXAM #2 (TRIAGE) RECEPTS			0.8	17	20	C	20	18		0.8		EXAM #5 (ISOL) RECEPTS		
CORRIDOR SCALE RECEPT	0.2			19	20	A	20	20	0.8			MED ROOM RECEPTS		
SPARE		*		21	20	B	20	22		*		SPARE		
SPARE			*	23	20	C	20	24		*		SPARE		
SUBTOTAL	2.2	3.2	3.2						2.3	1.3	1.9			
VOLTAGE: 208Y/120V PHASE: 3				POLES: 4				TOTAL KVA A-PHASE				4.5	PANEL	P1
MAIN LUGS ONLY				BUS AMPS: 100A				TOTAL KVA B-PHASE				4.5		
MOUNTING: SURFACE								TOTAL KVA C-PHASE				5.1	LOCATION	DATA CLOSET
SHORT CIRCUIT RATING: 10KAIC								TOTAL KVA				14.1		
NOTES:														

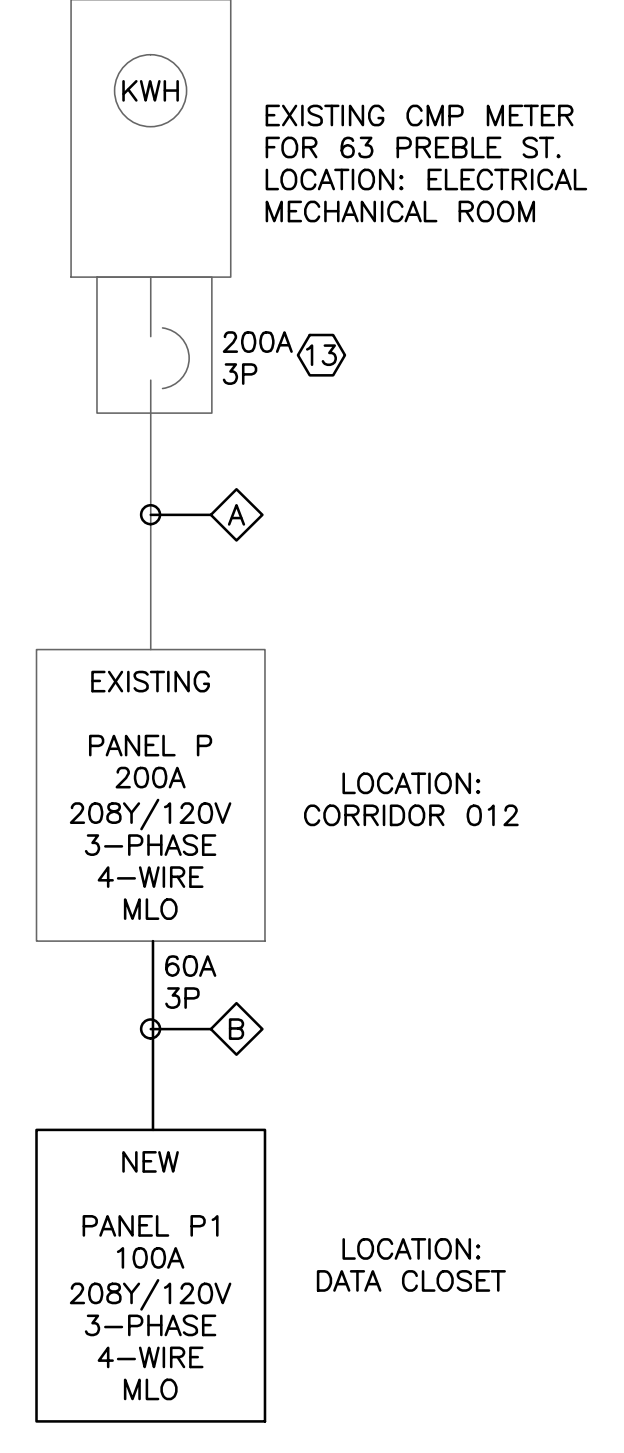
3 PANEL SCHEDULES
SCALE: NOT TO SCALE

- NOTES:
- SEE E.0 FOR LEGEND, ABBREVIATIONS AND GENERAL NOTES.
 - 20 AMP DUPLEX AND QUAD HOSPITAL GRADE RECEPTACLES REQUIRED FOR ALL EXAM ROOMS, LABS, TREATMENTS ROOMS AND PROCESSING ROOMS.
 - 2" X 4" WORK BOX SHALL BE USED AT EACH VOICE AND DATA JACK LOCATION. STUB UP TO CEILING WITH 3/4" MINIMUM EMT CONDUIT. DEVICES AND INSTALLATION SHALL BE BY OWNER'S I.T. PROVIDER. VOICE/DATA CABLES WILL BE TERMINATED IN DATA CLOSET OFF THE STAFF LOUNGE.
 - ALL NEW CIRCUITS AND NEW PANEL ARE IN BOLD TYPE. EXISTING PANEL AND EXISTING CIRCUITS ARE IN REGULAR TYPE.

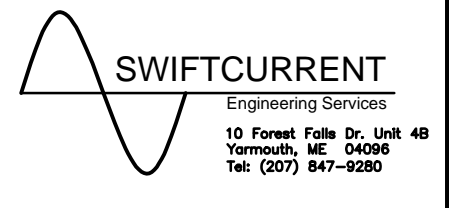
- KEYED NOTES:
- MOUNT 42" ABOVE FINISHED FLOOR.
 - MOUNT 6" ABOVE COUNTERTOP. COORDINATE WITH BACKSPASH.
 - CIRCUIT FOR MOTOR-OPERATED DAMPERS.
 - 15 AMP 2-POLE CIRCUIT FOR ENERGY RECOVERY UNIT. LOCATION ABOVE CEILING.
 - MOUNT QUAD POWER RECEPTACLES AND PHONE/DATA CONNECTOR BELOW COUNTERTOPS.
 - EXISTING DOMESTIC HOT WATER HEATER. REFER TO MANUFACTURERS WIRING DIAGRAM FOR CALL LIGHT AND CALL STATION WIRING DETAILS.
 - REFER TO MANUFACTURERS WIRING DIAGRAM FOR CALL LIGHT AND CALL STATION WIRING DETAILS.
 - EXISTING NURSE CALL MASTER STATION.
 - EXISTING NURSE STATION POWER SUPPLY.
 - NEW CALL LIGHT. MATCH WITH EXISTING MANUFACTURER AND PART NUMBER.
 - NEW EMERGENCY PULL CORD MATCH WITH EXISTING MANUFACTURER AND PART NUMBER.
 - FURNISH BOXES AND CONDUITS FOR CARD READER AND ELECTRIC LOCK/STRIKE. COORDINATE WITH DOOR HARDWARE. WIRE BACK TO DATA ROOM.
 - NEW 200A 3-POLE BREAKER. MATCH KAIC RATING TO THE EXISTING 150 AMP 3-POLE BREAKER.
 - UNDER COUNTER REFRIGERATOR RECEPTACLE.

WIRING SCHEDULE:

- 4#3/0AWG CU & #6GND, 2" C.
- 4#3AWG CU & #8GND, 1-1/4" C.



4 ONE-LINE DIAGRAM
SCALE: NOT TO SCALE



REV	DESCRIPTION	DATE

SEAL:
PROJECT NUMBER: 201708
DATE: 07/26/2017
ELECTRICAL POWER & SYSTEMS PLAN