



VENTLESS EXHAUST HOOD

OPERATORS MANUAL AND PARTS LIST REV. NOVEMBER 2015

HOODMART
172 REASER COURT
ELYRIA, OH 44035
PHONE: (800)-715-1014
FAX: (800)-716-1214

TABLE OF CONTENTS

LIMITED WARRANTY

- Subject to the terms and conditions of this Limited Warranty as herein stated, all Hoodmart equipment and parts purchased new from an authorized Hoodmart representative are warranted as to defects in material or workmanship for a period of 12 months from the date of installation, provided, however, that with regard to labor costs in connection with this warranty, see below. All installations must be made by a qualified installing agency in accordance with all applicable codes and/or regulations in the jurisdiction in which the unit is installed. Limited warranty coverage is extended to the original owner only and is void if the unit is resold.

- During the Limited Warranty period, Hoodmart will replace or recondition, at its factory, any part or parts of this unit which Hoodmart inspectors judge defective. Provided the unit has been subjected to normal use, has been properly installed, operated and serviced. The Limited Warranty does not cover cosmetic damage, and damage due to acts of God, accident, alteration, and negligence, abuse of the Hoodmart equipment or the use of unconventional repair methods. All parts replaced under this Limited Warranty carry only the remainder of the term of this Limited Warranty. Only an authorized Hoodmart representative may furnish limited Warranty service.

- Hoodmart reserves the right to change or improve its equipment and parts in any way without obligation to alter such equipment or parts previously manufactured.

- Repair or replacement as provided under this Limited Warranty is the exclusive solution. Hoodmart shall not be liable for any incidental or consequential damages for breach of any express or implied warranty on this product, except to the extent prohibited by applicable law. Any implied warranty of merchantability or fitness for a particular purpose on this product is limited in duration to the duration of this Limited Warranty.

- Used Hoodmart equipment or parts not purchased from an authorized Hoodmart representative do not carry warranties, express or implied.

SPECIFIC SAFETY PRECAUTIONS

For your safety, please observe the following safety precautions when operating or servicing your Hoodmart equipment. Read the following important safety information to avoid personal injury and/or damage to the equipment.

CAUTION/WARNING!

- Consult a qualified electrician to ensure all of the following guidelines:
 - All electrical specifications and codes are met.
 - Circuit breakers and wiring are of sufficient rating and gauge.
 - The unit must be properly grounded and all electrical specifications must be met during installation.
- Improper installation, adjustment, alteration, service or maintenance could result in death or serious injury, equipment/property damage, and will void the warranty.
- **DO NOT** use or store gasoline, other flammable liquids or vapors in the vicinity of this or any other appliance.
- Failure to comply with these **DANGER** notices may result in death or serious injury, equipment/property damage, and will void the warranty.

WARNING

- **DO NOT** operate the unit unless you understand the components and the intended use.
- The unit must remain in the upright position.
- Exercise care when removing the wooden crate from around the unit.
- Failure to comply with **WARNING** notices could result in death or serious injury and equipment/property damage and will void the warranty.

CAUTION

- The unit must be adequately and properly grounded. Improper grounding may result in electrical shock.
- Consult an electrician to ensure all electrical specifications have been met and the unit is properly grounded.
- The wiring diagrams contained in this manual should aid your electrician in the installation of your unit.
- Ensure the unit is positioned in a secure, safe location.

- The electronic components of the Control Panel are impact-sensitive.
- Exercise care around the Control Panel to maintain proper operation.
- **DO NOT** install the unit next to combustible walls and materials. Failure to maintain safe distances may result in fire.
- Turn off the unit and unplug the power cord before cleaning or performing maintenance.

DO NOT hose down the unit's interior, or exterior with water.

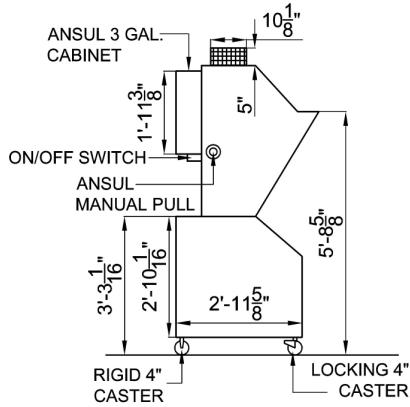
During cleaning of the unit:

- **DO NOT** steam clean.
- **DO NOT** use products containing chlorine.
- **DO NOT** use abrasive products, steel wool or scouring pads.
- **DO NOT** modify, alter or add attachments to this equipment!
- Failure to comply with these **CAUTION** notices may result in equipment/property damage and void the warranty.

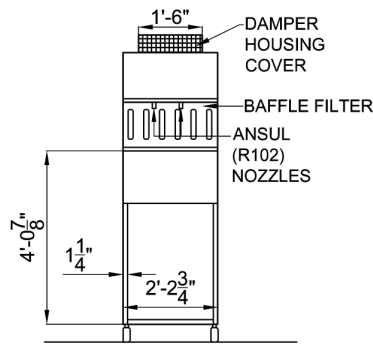
NOTE:

- If the crate is damaged upon receipt, **immediately** inspect the unit and notify the carrier of any damage to the unit.
- To aid the electrician, an electrical wiring diagram is contained in this manual. Refer to the wiring diagram during installation or servicing.
- Comply with all appropriate state and/or local health regulations regarding the cleaning and sanitation of equipment.

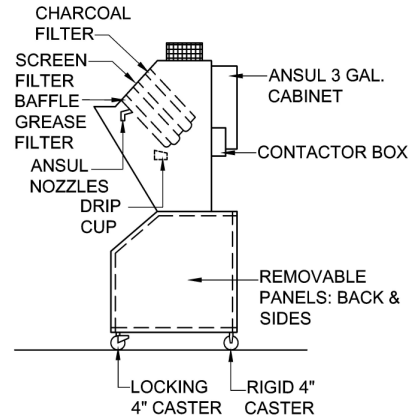
DIMENSIONS



LEFT SIDE ELEVATION VIEW



FRONT ELEVATION VIEW



RIGHT SIDE ELEVATION VIEW

MODEL AVH23

REGULATORY LISTINGS (CERTIFICATIONS):

The Ventless System shall be built in accordance to NFPA96; UL listed, and comply with UL710B Standards. Hoods shall be tested to comply with NSF Sanitation Mark.

Unit Weight: 565 lbs.

UNPACKING:

Your unit may arrive enclosed by a wooden crate. The Hood is secured to a wooden platform by means of high-tensile strength strapping.

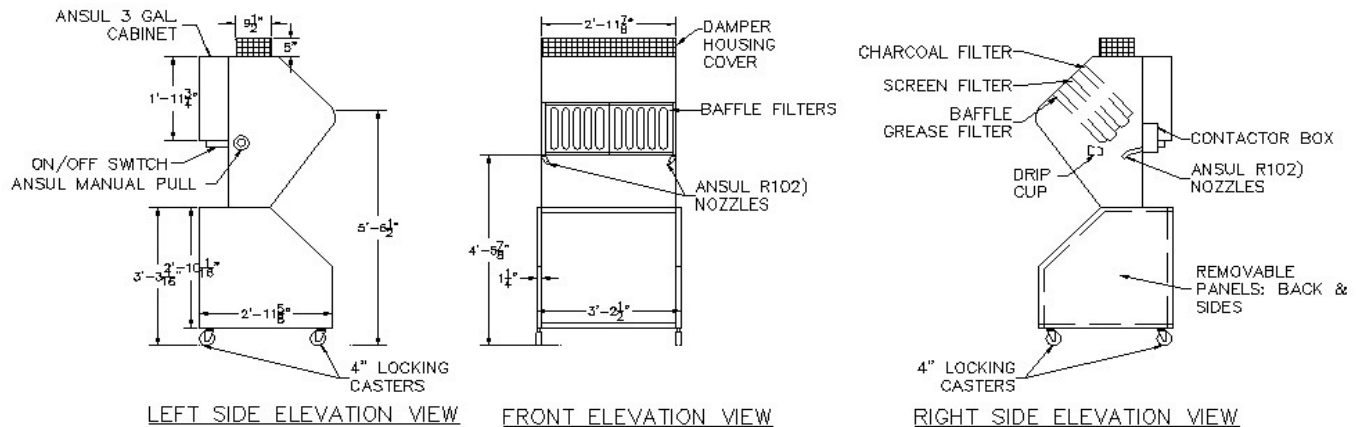
NOTE:

- If the crate is damaged, immediately inspect the unit and notify the carrier of any damage to the unit.
- Exercise care when lifting or moving the unit.
- Exercise care when removing the wooden crate from around the unit.

LOCATE AND IDENTIFY THE FOLLOWING COMPONENTS AFTER UNPACKING:

- Hood and Fire Suppression System
- Floor Stand and Contactor Box
- ANSULEX® Fire Suppressant, 1.5 Gallon
- Drip Cup
- Grease (baffle) Filter, Air (Mesh) Filter, Charcoal Filter

DIMENSIONS



MODEL AVH36

REGULATORY LISTINGS (CERTIFICATIONS):

The Ventless System shall be built in accordance to NFPA96; UL listed, and comply with UL710B Standards. Hoods shall be tested to comply with NSF Sanitation Mark.

Unit Weight: 735 lbs.

UNPACKING:

Your unit may arrive enclosed by a wooden crate. The Hood is secured to a wooden platform by means of high-tensile strength strapping.

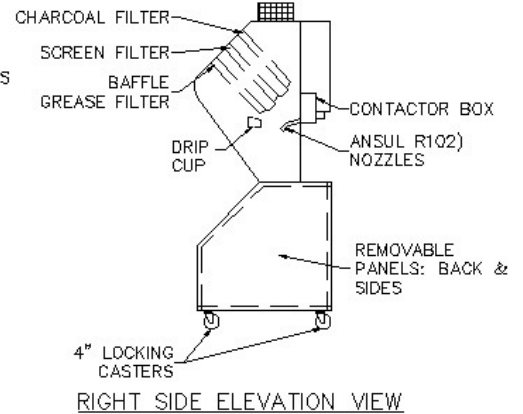
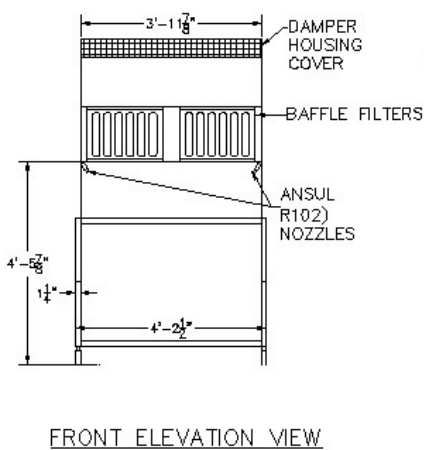
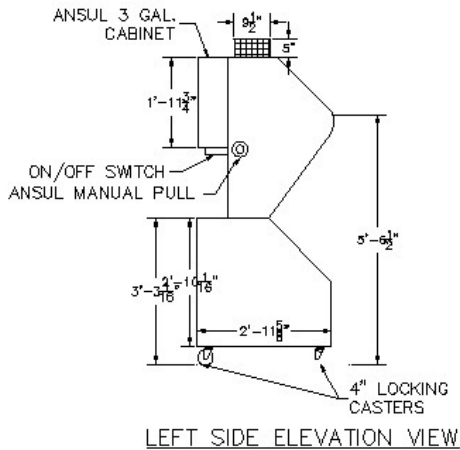
NOTE:

- If the crate is damaged, immediately inspect the unit and notify the carrier of any damage to the unit.
- Exercise care when lifting or moving the unit.
- Exercise care when removing the wooden crate from around the unit.

LOCATE AND IDENTIFY THE FOLLOWING COMPONENTS AFTER UNPACKING:

- Hood and Fire Suppression System
- Floor Stand and Contactor Box
- ANSULEX ® Fire Suppressant, 3.0 Gallon
- Drip Cup
- Grease (baffle) Filter, Air (Mesh) Filter, Charcoal Filter

DIMENSIONS



MODEL AVH48

REGULATORY LISTINGS (CERTIFICATIONS):

The Ventless System shall be built in accordance to NFPA96; UL listed, and comply with UL710B Standards. Hoods shall be tested to comply with NSF Sanitation Mark.

Unit Weight: 985 lbs.

UNPACKING:

Your unit may arrive enclosed by a wooden crate. The Hood is secured to a wooden platform by means of high-tensile strength strapping.

NOTE:

- If the crate is damaged, immediately inspect the unit and notify the carrier of any damage to the unit.
- Exercise care when lifting or moving the unit.
- Exercise care when removing the wooden crate from around the unit.

LOCATE AND IDENTIFY THE FOLLOWING COMPONENTS AFTER UNPACKING:

- Hood and Fire Suppression System
- Floor Stand and Contactor Box
- ANSULEX ® Fire Suppressant, 3.0 Gallon
- Drip Cup
- Grease (baffle) Filter, Air (Mesh) Filter, Charcoal Filter

ELECTRICAL REQUIREMENTS

- Consult a qualified electrician to ensure all electrical specifications have been met and that the unit is properly grounded.
- The unit must be adequately and properly grounded. Improper grounding may result in electrical shock. Always refer to your local electrical code to ensure proper grounding of this or any other electrical equipment. Always consult with an electrician or other qualified service person to ensure breakers and wiring are of sufficient rating and gauge for the equipment being operated.
- Improper installation, adjustment, alteration, service or maintenance could result in death or serious injury, equipment/property damage, and void the warranty.

Model #	Voltage	Hz	Phase	Amps
HMVH23	208-240	60	1-3	75

NOTE: 3 AMPS FOR HOOD

Model #	Voltage	Hz	Phase	Amps
HMVH36	208-240	60	1-3	75

NOTE: 4.5 AMPS FOR HOOD

Model #	Voltage	Hz	Phase	Amps
HMVH48	208-240	60	1-3	75

NOTE: 6 AMPS FOR HOOD

CONNECT HOOD POWER:

- Apply AC power to the Contactor box.
- The power requirement of the fryer will determine the input.
- Remove plug (if present) from the AC power cord of the fryer; connect the fryer power cord to the contactor output
- All connections should be made by a qualified electrician to ensure all electrical specifications have been met and comply with all local codes.

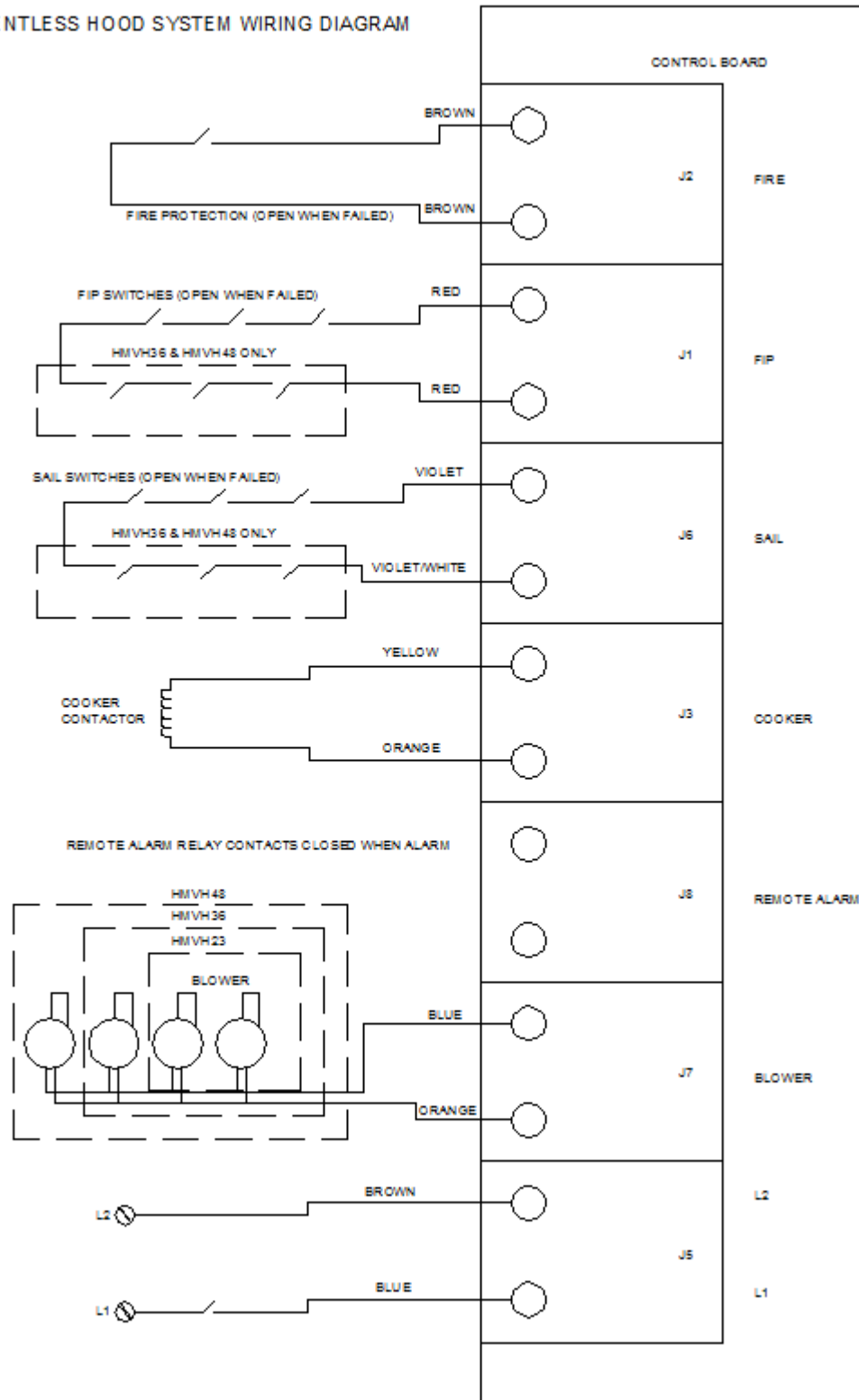
HOOD AND APPLIANCE INTERLOCK CONNECTION

This connection will cause the appliance below the hood to shut down if any of the following occurs:

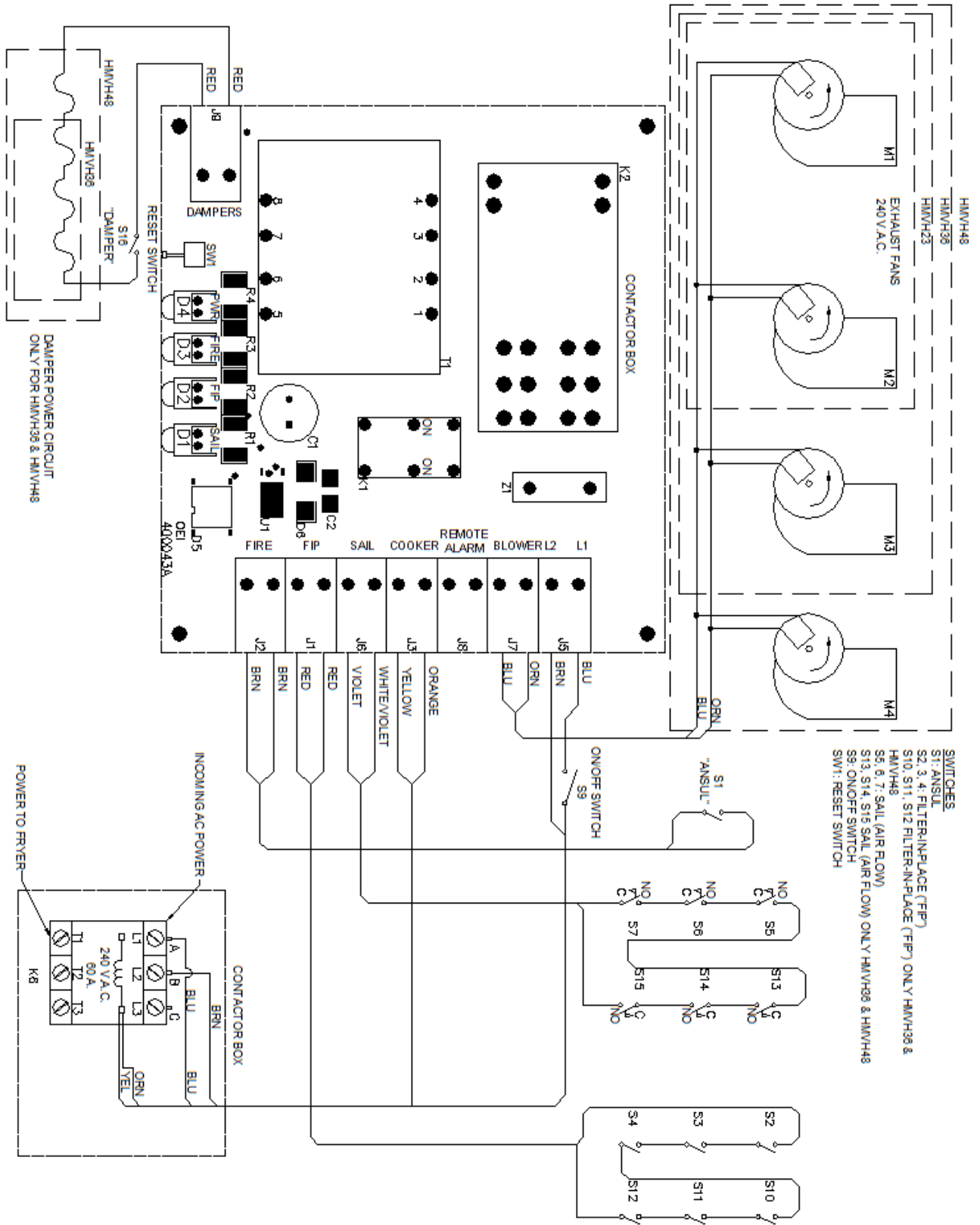
- Filter (any) becomes excessively dirty and does not allow proper airflow through the hood.
- Filter (any) is missing or not installed properly.
- Fire Extinguisher System is activated.

WIRING DIAGRAM

VENTLESS HOOD SYSTEM WIRING DIAGRAM



WIRING DIAGRAM CONT.



FIRE SUPPRESSION SYSTEM

The fire suppression system used in your Ventless Hood System is an Ansul R-102 Restaurant Fire Suppression System (Standard UL 197 Listed).

- An authorized Ansul distributor in accordance with the system's listing must perform final installation, charging and testing of the system.
- The fire suppression system is designed and UL-listed to provide fire protection for cooking appliances such as fryers. It protects your units, automatically, 24 hours per day.
- The integrated ANSUL system contains piping, nozzles.
- All nozzles have been factory installed in the proper operating position. DO NOT MOVE OR ADJUST.

This Hood also requires use of a Manual Pull System. The Manual Pull System is already integrated into your system.

MAINTENANCE

Maintenance is necessary for your Ventless Hood System to maintain the unit's efficiency over time.

Quarterly Hood Cleaning
During cleaning of the unit:

DO NOT steam clean.
DO NOT use products containing chlorine.
DO NOT use abrasive products, steel wool or scouring pads.

Interior:

Disconnect power from the unit! Remove all filters from the hood. Using a mild degreaser with a soft towel or sponge, clean the entire Hood Plenum and Blower Sections. The hood must be cleaned every 3 months.

Exterior:

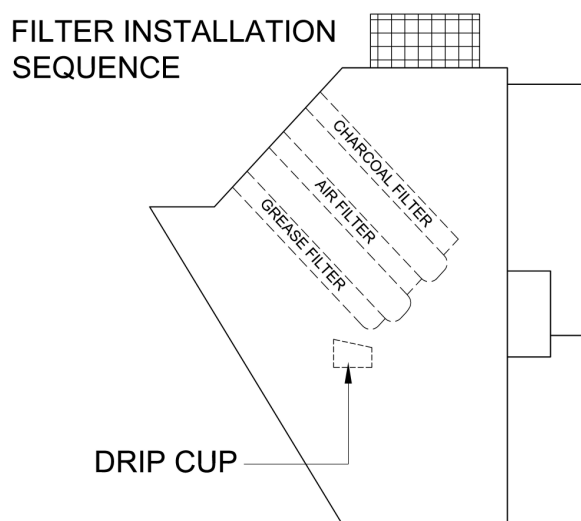
Remove power from the unit. Clean all external stainless steel parts using a stainless steel cleaner.

Filters:

Baffle filter: The Baffle Filter should be cleaned daily. Place the Baffle Filter in a sink and clean with a mild degreaser. Dry thoroughly, then reinstall in the unit.

Mesh Filter: Should be cleaned daily. Place the filter in a sink and clean with a mild degreaser. Dry thoroughly, then reinstall in the unit.

Charcoal Filter: Never attempt to clean the Charcoal Filter. Replace every 90 days. The reuse of a Charcoal Filter can cause damage to the unit.



SEMI-ANNUAL FIRE SUPPRESSION SYSTEM SERVICING:

Service of the Fire Suppression System is to be conducted by qualified fire equipment personnel **ONLY!** Semi-annual (at minimum) inspections should be scheduled and accomplished for the Fire Suppression System.

Such service shall consist of the following:

Place fire extinguishing system-locking bar on fire system when servicing hood.

1. Remove charging cartridge, inspect gasket for cuts and elasticity, coat gasket with extreme temperature grease and reinstall.
2. Remove tank, verify chemical is at proper level, clean and coat O-ring with extreme temperature grease and reinstall.
3. Check all nozzles to insure they are free of cooking grease buildup.
4. Test the remote manual pull station for activation and wear.
5. Install test link and cut to simulate automatic actuation.
6. Clean and inspect fusible links.
7. Inspect wire rope for wear at pulleys and detectors and replace if necessary.
8. Record maintenance date and maintain in a permanent file.

ANNUAL FIRE SUPPRESSION SYSTEM SERVICING:

Same as Semi-Annual but all fusible links must be replaced with new fusible links.

MAINTENANCE SCHEDULE

MAINTENANCE LOG				
Procedure:	Daily	Quarterly	Semi-Annually	Annually
Clean baffle filter	√			
Clean wire mesh Filter.	√			
Replace Charcoal filter.		√		
Interior hood cleaning.		√		
Exterior hood cleaning.		√		
Fire suppression system servicing.			√	√