



PO Box 2551  
2257 West Broadway  
South Portland, ME 04106

1.800.370.3473  
fax 207.879.0540

[www.norrisinc.com](http://www.norrisinc.com)

# ***SUBMITTAL PACKAGE***

**Project:** Goodwill  
Lancaster St 2nd Floor

**System:** Fire Alarm System Addition

**Submitted By:** Norris Inc.  
2257 West Broadway  
South Portland, Maine 04106  
Telephone: (800) 370-3473

**Date:** February 5th, 2015

**Norris Inc**

2257 West Broadway

South Portland, ME 04106

1-800-370-3473

**DEBLOIS ELECTRIC INC.**

PO BOX 7899

LEWISTON, ME 04240

Tel:207-783-6512 Fax:207-783-7428

**319541SP****Equipment List****200 Lancaster St.-- 2nd floor****Description**

SK-PHOTO, Addressable Photo Detector w/ base  
SK-PULLDA, Addressable Pull Station, Dual Action  
NOTIFIER-P2R, Horn Strobe, Wall, Red, Multi Cd  
NOTIFIER-SR, Strobe, Wall, Red, Multi Cd  
SK-5895XL, Remote Power Supply  
IM-1270, 12V 7AH Battery



**SILENT  
KNIGHT**

by Honeywell

## Model 5895XL Intelligent Power Module

**The intelligent way to distribute power  
throughout your installation.**

With 6.0 amps of output power, six programmable Flexput™ I/O circuits, and two Form C relay contacts, the Model 5895XL Intelligent Power Module allows you to greatly enhance the capabilities of an IntelliKnight system, distributing power where needed throughout a facility.

5895XL modules connect via the RS-485 system bus. Up to eight 5895XL modules can be used per IntelliKnight system. Each 5895XL has its own optically isolated RS-485 bus to which other modules, such as 5860 remote annunciators and 5824 printer interface modules, can be connected. You can also connect 5815XL SLC expansion modules, adding flexibility and wiring distance. Each 5895XL supports its own backup batteries and monitors the AC power.

### Description

5895XL adds 6.0 amps of power, six Flexput I/O circuits, and two Form C relay circuits to an IntelliKnight installation.

The 5895XL is optically isolated providing ground loop isolation and transient protection. The 5895XL conditions the RS-485 system bus allowing up to an additional 6,000 feet of wiring.

### Operation

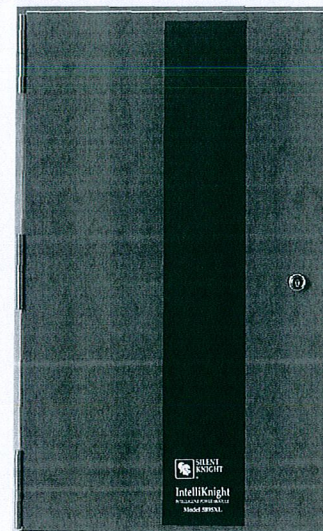
The green LED on the 5895XL board indicates communication with the IntelliKnight FACP.

The Flexput circuits can be notification appliance circuits, continuous power, resettable power, door holder power or initiation circuits that can support both 2- and 4-wire smoke detectors.

All Flexput circuits and relay outputs are individually mappable from the IntelliKnight 5820XL FACP.

### Features

- 6.0A output power
- Flexput I/O circuits, 3A each, programmable as notification circuits, auxiliary power circuits, or initiation circuits
- Supports Class A configuration for SBUS & Flexput circuits
- Ground loop isolation
- 2 Form C programmable relays rated at 2.5A at 24 VDC
- Transient protection
- SBUS repeater conditions the RS-485 signal
- Up to 6,000 feet wiring distance from 5895XL (same distance as main FACP)
- Battery charging capacity 35 Ah
- Large cabinet can house two 18 Ah batteries or RBB accessory cabinet can house battery sizes larger than 18 Ah
- Room in FACP cabinet to mount two 5815XL SLC expander's
- Built-in synchronization for appliances from AMSECO®, Gentex®, Faraday, System Sensor®, and Wheelock®



**Model 5895XL**

### Approvals

- NFPA 13, NFPA 15, NFPA 16, NFPA 70, NFPA 72 and NFPA 101
- UL 864; CSFM
- MEA 429-92-E, Vol. IX
- FM approved
- OSHPD (CA) OSP-0065-10

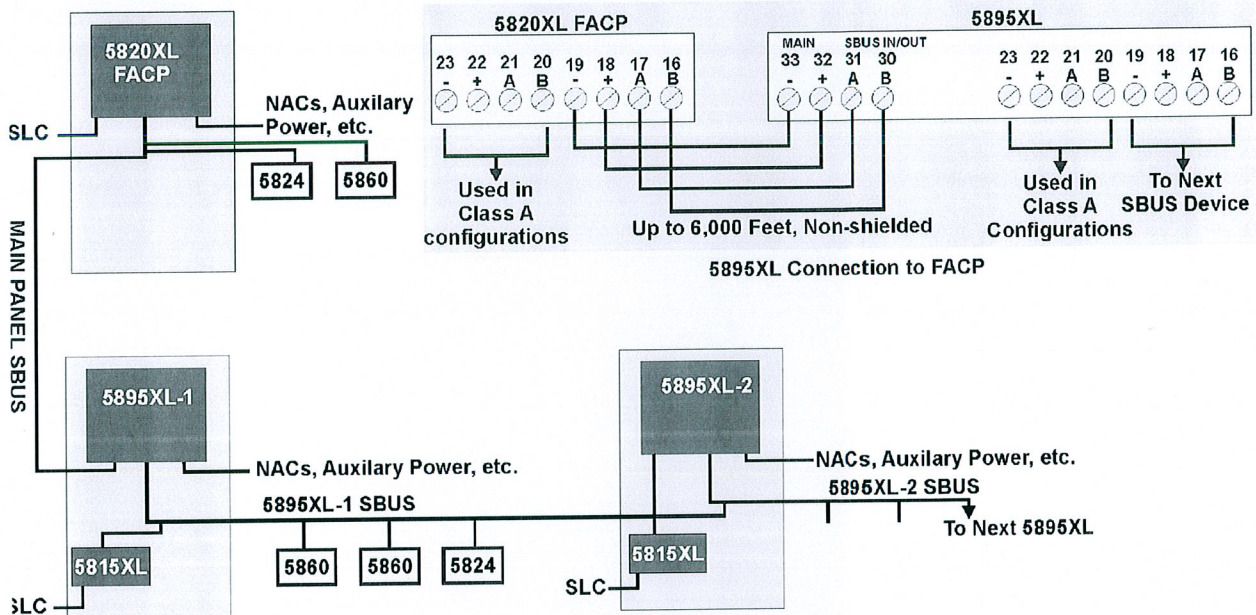


# Model 5895XL Intelligent Power Module

## Engineering Specifications

The contractor shall supply a power module compatible with the IntelliKnight Model 5820XL FACP. The power module must have 6.0 amps of output power, Flexput I/O circuits rated 3.0 amps each, and two Form C relay contacts rated at 2.5 amps at 24 VDC. The power module shall connect to the main FACP via an RS-485 system bus (SBUS). The power module shall contain an additional RS-485 bus that is completely compatible with all IntelliKnight add-on modules, including 5815XL SLC expander's, 5860 remote annunciators, 5824 serial/parallel printer interface modules.

The power module RS-485 bus shall be optically isolated providing ground loop isolation and transient protection. The unit shall be an SBUS repeater that conditions the signal driving up to 6,000 feet of additional wiring.



5895XL Installation Example

### Electrical Specifications

Primary AC:  
120 VRMS @ 60 Hz, 2.5A  
240 VRMS @ 60 Hz, 1.4A  
Total Accessory Load:  
6A @ 24 VDC  
Current:  
Standby: 40 mA  
Alarm: 160 mA

### Mechanical Specifications

Flush or surface mount  
Dimensions:  
14-1/2"W x 24-3/4"H x 3-7/8"D  
(36.8 W x 62.9 H x 9.8 D cm)

Overall Dimensions:  
16-1/8"W x 26-3/8"H x 4-1/8"D  
(40.6 W x 67 H x 11.8 D cm)

Color: Red

### Environmental

Operating Temperature:  
32°F – 120°F (0° – 49°C)  
Humidity: 10% – 93%  
non-condensing

### Ordering Information

5895XL Intelligent Power Module

### Accessories

SK-SCK Seismic Compliance Kit



This document is not intended to be used for installation purposes. We try to keep our product information up-to-date and accurate. We cannot cover all specific applications or anticipate all requirements. All specifications are subject to change without notice. For more information, contact Silent Knight 12 Clintonville Road, Northford, CT 06472 Phone: (203) 484-7161, Fax: (203) 484-7118. For Technical Support, Please call 800-446-6444. [www.silentknight.com](http://www.silentknight.com).

Assembled in America

PN 350212 Rev F  
© 2014 Honeywell International Inc.



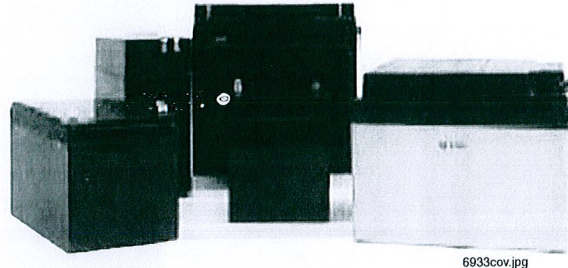
# BAT Series Batteries

## Sealed Lead-Acid or Gell Cell


**Power Supplies**

### General

**BAT Series Batteries** feature a new part-numbering/listing system — providing an improved method of delivery for NOTIFIER-approved sealed lead-acid batteries for all your fire alarm system needs. Multiple brands of batteries are now offered under generic part numbers, reducing backorder situations and permitting us to deliver these products in a more timely fashion. NOTIFIER has approved the multiple brands listed below as possible product shipped for a given part number. Please note that any incoming orders for "PS Series" batteries will be converted to the equivalent BAT Series part numbers.



6933cov.jpg

### Features

- Provide secondary power for control panels.
- Sealed and maintenance-free.
- Overcharge protected.
- Easy handling with leakproof construction.
- Ruggedly constructed, high-impact case (ABS, polystyrene, or polypropylene, depending on models).
- Long service life.
- Compact design.

### Agency Listings and Approvals

The listings and approvals below apply to BAT Series Batteries. In some cases, certain modules may not be listed by certain approval agencies, or listing may be in process. Consult factory for latest listing status.

- **UL Recognized Components:** files MH19884 (*B & B Battery*), MH20567 (*UPG, previously Jolt*), MH20845 (*Power-Sonic*).

### Part Number Reference

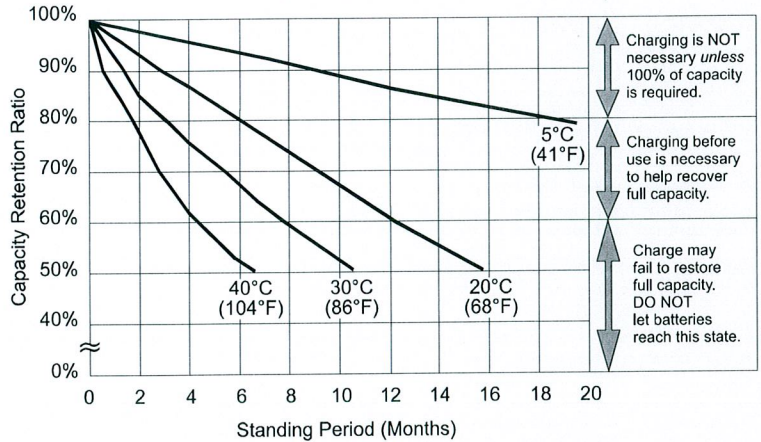
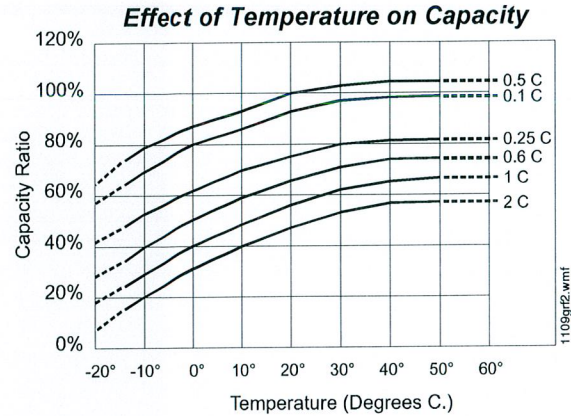
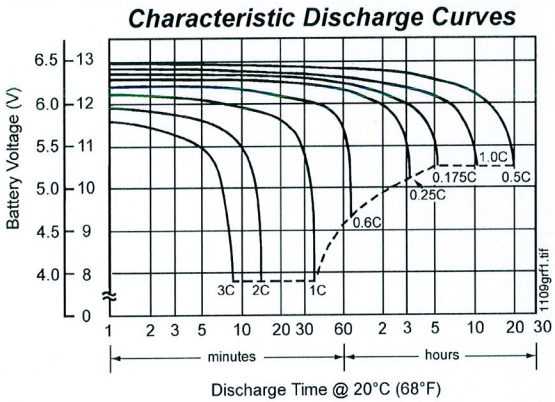
CURRENT Part Number	BATTERY DESCRIPTION	ALTERNATES APPROVED: manufacturers and P/Ns shipped under BAT P/Ns
BAT-1250	12 V, 5 AH, sealed.	BP5-12 (B&B Battery); PS-1250 (Power-Sonic); SA1250 (Jolt) to be replaced with UB1250 (UPG).
BAT-1250	12 V, 5 AH, sealed.	BP5-12 (B&B Battery); PS-1250 (Power-Sonic); SA1250 (Jolt) to be replaced with UB1250 (UPG).
BAT-1270	12 V, 7 AH, sealed.	BP7-12 (B&B Battery); PS-1270 (Power-Sonic); SA1272 (Jolt) to be replaced with UB1270 (UPG).
BAT-12120	12 V, 12 AH, sealed.	BP12-12 (B&B Battery); PS-12120 (Power-Sonic); SA12120 (Jolt) to be replaced with UB12120 (UPG).
BAT-12180	12 V, 18 AH, sealed.	PS-12180 (Power-Sonic); SA12180 (Jolt) to be replaced with UB12180 (UPG).
BAT-12180	12 V, 18 AH, sealed.	PS-12180 (Power-Sonic); SA12180 (Jolt) to be replaced with UB12180 (UPG).
BAT-12260	12 V, 26 AH, sealed.	BP26-12 (B&B Battery); PS-12260 (Power-Sonic); SA12260 (Jolt) to be replaced with UB12260 (UPG).
BAT-12550	12 V, 55 AH, sealed.	PS-12550 (Power-Sonic); XSA12550 (Jolt) to be replaced with UB12550 (UPG).
BAT-12550	12 V, 55 AH, sealed.	PS-12550 (Power-Sonic); XSA12550 (Jolt) to be replaced with UB12550 (UPG).
BAT-121000	12 V, 100 AH, gell cell.	PS-121000 (Power-Sonic); XSA121000A (Jolt) to be replaced with UB121000 (UPG).

# POWER-SONIC

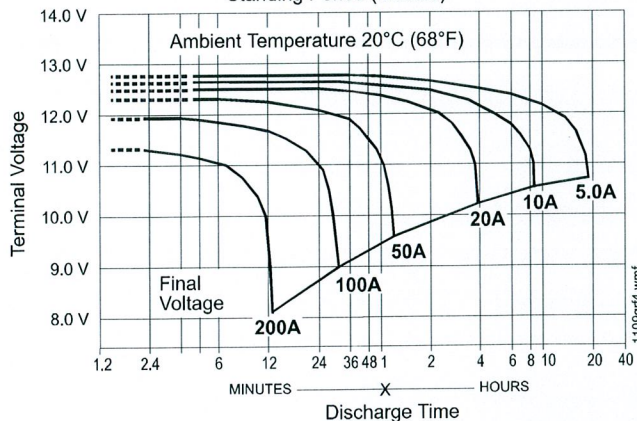
1109H1.tbl

## Part Number Reference

MODEL	Nominal Voltage V	Nominal Capacity @ 20 hr. rate A.H.	Discharge Current @20 hr. rate mA	DIMENSIONS									
				Width		Depth		Height		Height over terminal		Weight	
				in.	mm	in.	mm	in.	mm	in.	mm	lb.	kg.
PS-1250	12	5	250	3.54	90	2.76	70	4.02	102	4.21	107	4.1	1.9
PS-1270	12	7	325	5.94	151	2.56	65	3.7	94	3.86	98	5.7	2.6
PS-12120	12	12	600	5.94	151	3.86	98	3.7	94	3.86	98	8.8	4
PS-12180	12	18	875	7.13	181	2.99	76	6.57	167	6.57	167	12.8	5.8
PS-12250	12	25	1300	6.89	175	6.54	166	4.92	125	4.92	125	18.7	8.5
PS-12550	12	55	3000	10.25	260	6.6	168	8.2	208	9.45	240	39.7	18
PS-121000	12	100	5000	12	305	6.6	168	8.2	208	9.45	240	65.7	29.8



at left:  
**PS-121000**  
**Shelf-Life**  
**and Storage**



at left:  
**PS-121000**  
**Discharge**  
**Characteristics**



# SpectrAlert® Advance

## Selectable Output Notification Appliances



### Audio/Visual Devices

#### General

System Sensor® SpectrAlert® Advance selectable-output horns, strobes and horn/strobes are rich with features guaranteed to cut installation times and maximize profits. The SpectrAlert Advance series of notification appliances is designed to simplify your installations, with features such as: plug-in designs, instant feedback messages to ensure correct installation of individual devices, and eleven field-selectable candela settings for wall and ceiling strobes and horn/strobes.

More specifically, when installing Advance products, first attach a universal mounting plate to a four-inch square, four-inch octagon, or double-gang junction box. The two-wire mounting plate attaches to a single-gang junction box.

Then, connect the notification appliance circuit wiring to the SEMS terminals on the mounting plate.

Finally, attach the horn, strobe, or horn/strobe to the mounting plate by inserting the product's tabs in the mounting plate's grooves. The device will rotate into position, locking the product's pins into the mounting plate's terminals. The device will temporarily hold in place with a catch until it is secured with a captured mounting screw.

#### SpectrAlert Advance products allow you to choose:

- 12 or 24 volts.
- 15, 15/75, 30, 75, 95, 110, 115, 135, 150, 177, or 185 candela by way of a rear-mounted slide switch and front viewing window.
- Horn tones and volume by way of a rotary switch.
- The SpectrAlert Advance series includes outdoor notification appliances. Outdoor strobes and horn/strobes (two-wire and four-wire) are available for wall or ceiling. Outdoor horns are available for wall only. All System Sensor outdoor products are rated between  $-40^{\circ}\text{F}$  and  $151^{\circ}\text{F}$  ( $-40^{\circ}\text{C}$  and  $66^{\circ}\text{C}$ ) in wet or dry applications.

#### Models available:

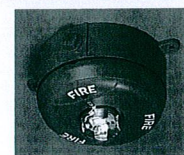
- Indoor wall-mount: horn, strobe, 2-wire horn/strobe, 4-wire horn/strobe.
- Indoor ceiling-mount: strobe, 2-wire horn/strobe, 4-wire horn/strobe.
- Outdoor wall-mount: horn, strobe, 2-wire horn/strobe, 4-wire horn/strobe.
- Outdoor ceiling-mount: strobe, 2-wire horn/strobe, 4-wire horn/strobe.

#### Features

- Plug-in design.
- Same mounting plate for wall- and ceiling-mount units.
- Shorting spring on mounting plate for continuity check before installation.
- Captive mounting screw.
- Tamper-resistance capability.
- Field-selectable candela settings on wall and ceiling units: 15, 15/75, 30, 75, 95, 110, 115, 135, 150, 177, 185.
- Automatic selection of 12 or 24 volt operation at 15 and 15/75 candela.
- Outdoor wall and ceiling products.



Indoor Ceiling  
Horn/Strobe



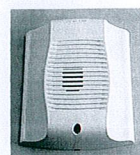
Outdoor Ceiling  
Strobe



Indoor Wall  
Horn/Strobe



Indoor Ceiling  
Strobe



Indoor Wall  
Horn



Outdoor Wall  
Strobe

- Outdoor products rated from  $-40^{\circ}\text{F}$  and  $151^{\circ}\text{F}$  ( $-40^{\circ}\text{C}$  and  $66^{\circ}\text{C}$ ).
- Outdoor products rainproof per UL50 (NEMA 3R) and weatherproof per NEMA 4X, IP56
- Minimal intrusion into the backbox.
- Horn rated at 88+ dbA at 16 volts.
- Rotary switch for tone selection.
- Three horn volume settings.
- Electrically compatible with existing SpectrAlert products.

#### Engineering Specifications

SpectrAlert Advance horns, strobes, and horn/strobes shall mount to a standard 4.0" x 4.0" x 1.5" (10.16 x 10.16 x 3.81 cm) backbox, 4.0" (10.16 cm) octagonal backbox, or a double-gang backbox. Two-wire products shall also mount to a single-gang 2.0" x 4.0" x 1.875" (5.08 x 10.16 x 4.763 cm) backbox. A universal mounting plate shall be used for mounting ceiling and wall products. The notification appliance circuit wiring shall terminate at the universal mounting plate. Also, SpectrAlert Advance products, when used with the Sync•Circuit™ Module accessory, shall be powered from a non-coded notification appliance circuit output and shall operate on a nominal 12 or 24 volts. When used with the Sync•Circuit Module, 12-volt rated notification appliance circuit outputs shall operate between 9 and 17.5 volts; 24-volt rated notification appliance circuit outputs shall operate between 17 and 33 volts. Indoor SpectrAlert Advance products shall operate between  $32^{\circ}\text{F}$  and  $120^{\circ}\text{F}$  ( $0^{\circ}\text{C}$  and  $49^{\circ}\text{C}$ ) from a regulated DC, or full-wave-rectified, unfiltered power supply. Strobes and horn/strobes shall have field-selectable candela settings including 15, 15/75, 30, 75, 95, 110, 115, 135, 150, 177, 185.



## STROBE

The strobe shall be a System Sensor SpectrAlert Advance Model \_\_\_\_\_ listed to UL 1971 and shall be approved for fire protective service. The strobe shall be wired as a primary-signaling notification appliance and comply with the Americans with Disabilities Act requirements for visible signaling appliances, flashing at 1 Hz over the strobe's entire operating voltage range. The strobe light shall consist of a xenon flash tube and associated lens/reflector system.

## HORN/STROBE COMBINATION

The horn/strobe shall be a System Sensor SpectrAlert Advance Model \_\_\_\_\_ listed to UL 1971 and UL 464 and shall be approved for fire protective service. The horn/strobe shall be wired as a primary-signaling notification appliance and comply with the Americans with Disabilities Act requirements for visible signaling appliances, flashing at 1 Hz over the strobe's entire operating voltage range. The strobe light shall consist of a xenon flash tube and associated lens/reflector system. The horn shall have three audibility options and an option to switch between a Temporal 3 pattern and a Non-Temporal (continuous) pattern. These options are set by a multiple position switch. On four-wire products, the strobe shall be powered independently of the sounder. The horn on horn/strobe models shall operate on a coded or non-coded power supply.

## OUTDOOR PRODUCTS

SpectrAlert Advance outdoor horns, strobes and horn/strobes shall be listed for outdoor use by UL and shall operate between -40°F and 151°F (-40°C and 66°C). The products shall be listed for use with a System Sensor outdoor/weather-proof backbox with half-inch and three-fourths-inch conduit entries.

## SYNCHRONIZATION MODULE

The module shall be a System Sensor Sync•Circuit MDL3R or MDL3W listed to UL 464 and shall be approved for fire protective service. The module shall synchronize SpectrAlert strobes at 1 Hz and horns at Temporal 3. Also, while operating the strobes, the module shall silence the horns on horn/strobe models over a single pair of wires. The module shall mount to a 4.688" x 4.688" x 2.125" (11.906 x 11.906 x 5.398 cm) backbox. The module shall also control two Style Y (class B) circuits or one Style Z (Class A) circuit. The module shall synchronize multiple zones. Daisy-chaining two or more synchronization modules together will synchronize all the zones they control. The module shall not operate on a coded power supply.

## Strobe Current Draw, UL Maximum (mA RMS)

Candela	8 – 17.5 V		16 – 33 V		
	DC	FWR	DC	FWR	
Standard Candela Range	15	123	128	66	71
	15/75	142	148	77	81
	30	NA	N/A	94	96
	75	NA	NA	158	153
	95	NA	NA	181	176
	110	NA	NA	202	195
	115	NA	NA	210	205
High Candela Range	135	NA	NA	228	207
	150	NA	NA	246	220
	177	NA	NA	281	251
	185	NA	NA	286	258

## Operating Specifications

- **Standard operating temperature:** 32°F to 120°F (0°C to 49°C).
- **K Series operating temperature:** -40°F to 151°F (-40°C to 66°C).
- **Humidity range:** 10% to 93% non-condensing (indoor products).
- **Strobe flash rate:** 1 flash per second.
- **Nominal voltage:** regulated 12 VDC/FWR or regulated 24 VDC/FWR. **NOTE:** Full Wave Rectified (FWR) voltage is a non-regulated, time-varying power source that is used on some power supply and panel outputs.
- **Operating voltage range:** 8 V to 17.5 V (12 V nominal); or 16 V to 33 V (24 V nominal). **NOTE:** P, S, PC, and SC products will operate at 12 V nominal only for 15 cd and 15/75 cd.
- **Input terminal wire gauge:** 12 to 18 AWG (3.31 to 0.821 mm<sup>2</sup>).
- **Ceiling-mount dimensions (including lens):** 6.8" diameter x 2.5" deep (17.3 cm diameter x 6.4 cm deep).
- **Wall-mount dimensions (including lens):** 5.6" H x 4.7" W x 2.5" D (14.2 cm H x 11.9 cm W x 6.4 cm D).
- **Horn dimensions:** 5.6" H x 4.7" W x 1.3" D (14.2 cm H x 11.9 cm W x 3.3 cm D).

## Agency Listings and Approvals

The listings and approvals below apply to SpectrAlert Advance Selectable Output Notification Devices. In some cases, certain modules may not be listed by certain approval agencies, or listing may be in process. Consult factory for latest listing status.

- **UL Listed:** S4011 (HR\_, HW\_, P2\_, P4\_, PC2\_, PC4\_ models); S5512 (models SCR, SCRH, SCW, SCWH, SR, SRH, SW, SWH); S3593 (SCRHK, SCRK, SRHK, SRK).
- **ULC Listed:** S4011 (HRA, HRKA); S5512 (typically "A" models, with exception of outdoor strobes). See Canadian data sheet for listings and specifications.
- **FM approved**
- **MEA: 452-05-E**
- **CSFM: 7125-1653:0186** (SCR, SCRH, SCW, SCWH, SR, SRH, SW, SWH); **7300-1653:0188** (P2\_, P4\_, PC2\_, PC4\_ modules); **7135-1653:0189** (HR, HRK, HW); **7300-1653:0187** (SCRHK, SCRK, SRHK, SRK).

## Horn Current Draw, UL Maximum (mA RMS)

Sound Pattern	dB	8 – 17.5 V		16 – 33 V	
		DC	FWR	DC	FWR
Temporal	High	57	55	69	75
Temporal	Medium	44	49	58	69
Temporal	Low	38	44	44	48
Non-temporal	High	57	56	69	75
Non-temporal	Medium	42	50	60	69
Non-temporal	Low	41	44	50	50
Coded	High	57	55	69	75
Coded	Medium	44	51	56	69
Coded	Low	40	46	52	50



### Horn and Horn/Strobe Rotary Switch Setting

Setting	Repetition Rate	dB Level
1	Temporal horn	High
2	Temporal horn	Medium
3	Temporal horn	Low
4	Normal horn	High
5	Normal horn	Medium
6	Normal horn	Low
7*	Externally coded	High
8*	Externally coded	Medium
9*	Externally coded	Low

**\*NOTE:** Settings 7, 8, and 9 are not available on 2-wire horn/strobe.

### Horn and Horn/Strobe Output (dBA)

Switch Position	Sound Pattern	dB	8 – 17.5 V		16 – 33 V	
			DC	FW R	DC	FW R
1	Temporal	High	78	78	84	84
2	Temporal	Medium	74	74	80	80
3	Temporal	Low	71	73	76	76
4	Non-temporal	High	82	82	88	88
5	Non-temporal	Medium	78	78	85	85
6	Non-temporal	Low	75	75	81	81
7*	Coded	High	82	82	88	88
8*	Coded	Medium	78	78	85	85
9*	Coded	Low	75	75	81	81

**\*NOTE:** Settings 7, 8, and 9 are not available on 2-wire horn/strobe.

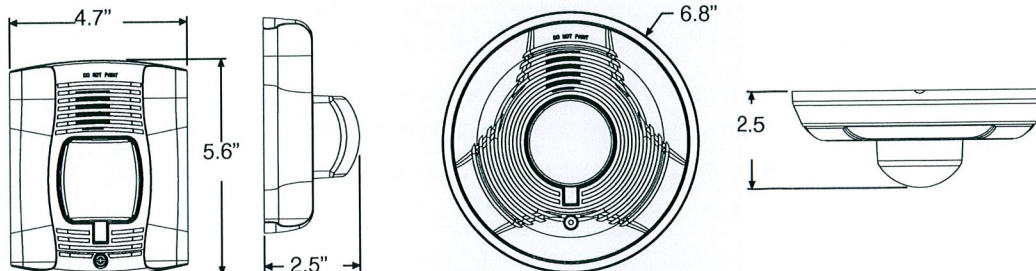
### Two-Wire Horn/Strobe, **STANDARD** Candela Range (15 – 115 cd), UL Maximum Current Draw (mA RMS)

Input, Sound Pattern, dB Level	8 – 17.5 V		16 – 33 V						
	15	15/75	15	15/75	30	75	95	110	115
DC Input, Temporal, High	137	147	79	90	107	176	194	212	218
DC Input, Temporal, Medium	132	144	69	80	97	157	182	201	210
DC Input, Temporal, Low	132	143	66	77	93	154	179	198	207
DC Input, Non-temporal, High	141	152	91	100	116	176	201	221	229
DC Input, Non-temporal, Medium	133	145	75	85	102	163	187	207	216
DC Input, Non-temporal, Low	131	144	68	79	96	156	182	201	210
FWR Input, Temporal, High	136	155	88	97	112	168	190	210	218
FWR Input, Temporal, Medium	129	152	78	88	103	160	184	202	206
FWR Input, Temporal, Low	129	151	76	86	101	160	184	194	201
FWR Input, Non-temporal, High	142	161	103	112	126	181	203	221	229
FWR Input, Non-temporal, Medium	134	155	85	95	110	166	189	208	216
FWR Input, Non-temporal, Low	132	154	80	90	105	161	184	202	211

### Two-Wire Horn/Strobe, **HIGH** Candela Range (135 – 185 cd), UL Maximum Current Draw (mA RMS)

DC Input	16 – 33 V				FWR Input	16 – 33 V			
	135	150	177	185		135	150	177	185
DC, Temporal, High	245	259	290	297	FWR, Temporal, High	215	231	258	265
DC, Temporal, Medium	235	253	288	297	FWR, Temporal, Medium	209	224	250	258
DC, Temporal, Low	232	251	282	292	FWR, Temporal, Low	207	221	248	256
DC, Non-temporal, High	255	270	303	309	FWR, Non-temporal, High	233	248	275	281
DC, Non-temporal, Medium	242	259	293	299	FWR, Non-temporal, Medium	219	232	262	267
DC, Non-temporal, Low	238	254	291	295	FWR, Non-temporal, Low	214	229	256	262

7087dim12009.tif





## Ordering Information

Model	Description	Model	Description
<b>WALL HORN/STROBES</b>		<b>CEILING HORN/STROBES</b>	
P2R	2-wire horn/strobe, standard cd, red.	PC2R	2-wire horn/strobe, standard cd, red.
P2RH	2-wire horn/strobe, high cd, red.	PC2RH	2-wire horn/strobe, high cd, red.
P2RK	2-wire horn/strobe, standard cd, red, outdoor.	PC2RK	2-wire horn/strobe, standard cd, red, outdoor.
P2RHK	2-wire horn/strobe, high cd, red, outdoor.	PC2RHK	2-wire horn/strobe, high cd, red, outdoor.
P2W	2-wire horn/strobe, standard cd, white.	PC2W	2-wire horn/strobe, standard cd, white.
P2WH	2-wire horn/strobe, high cd, white.	PC2WH	2-wire horn/strobe, high cd, white.
P4R	4-wire horn/strobe, standard cd, red.	PC4R	4-wire horn/strobe, standard cd, red.
P4RH	4-wire horn/strobe, high cd, red.	PC4RH	4-wire horn/strobe, high cd, red.
P4RK	4-wire horn/strobe, standard cd, red, outdoor.	PC4RK	4-wire horn/strobe, standard cd, red, outdoor.
P4RHK	4-wire horn/strobe, high cd, red, outdoor.	PC4RHK	4-wire horn/strobe, high cd, red, outdoor.
P4W	4-wire horn/strobe, standard cd, white.	PC4W	4-wire horn/strobe, standard cd, white.
P4WH	4-wire horn/strobe, high cd, white.	PC4WH	4-wire horn/strobe, high cd, white.
<b>WALL STROBES</b>		<b>CEILING STROBES</b>	
SR	Strobe, standard cd, red.	SCR	Strobe, standard cd, red.
SRH	Strobe, high cd, red.	SCRH	Strobe, high cd, red.
SRK	Strobe, standard cd, red, outdoor.	SCRK	Strobe, standard cd, red, outdoor.
SRHK	Strobe, high cd, red, outdoor.	SCRHK	Strobe, high cd, red, outdoor.
SW	Strobe, standard cd, white.	SCW	Strobe, standard cd, white.
SWH	Strobe, high cd, white.	SCWH	Strobe, high cd, white.
<b>ACCESSORIES</b>		<b>HORNS</b>	
BBS-2A	Backbox skirt, wall, red.	HR	Horn, red.
BBSW-2A	Backbox skirt, wall, white.	HRK	Horn, red, outdoor.
BBSC-2A	Backbox skirt, ceiling, red.	HW	Horn, white.
BBSCW-2A	Backbox skirt, ceiling, white.	<b>ACCESSORIES, continued</b>	
SA-WBB	Weatherproof backbox, wall.	TR-HS	Trim Ring, wall, red, package of 5
SA-WBBC	Weatherproof backbox, ceiling.	TRW-HS	Trim Ring, wall, white, package of 5
WTP	Weatherproof, flush mount plate, red	TRC-HS	Trim Ring, ceiling, red, package of 5
WTPW	Weatherproof, flush mount plate, white	TRCW-HS	Trim Ring, ceiling, white, package of 5
<p><b>NOTE:</b> "High cd" refers to strobes that include 135, 150, 177, and 185 candela settings. "Standard cd" refers to strobes that include 15, 15/75, 30, 75, 95, 110, and 115 candela settings.</p> <p><b>NOTE:</b> For strobes and horn/strobes, add suffix "F" for French or "B" for Bilingual.</p> <p><b>NOTE:</b> All outdoor models ("K(A)" suffix) include a plastic weatherproof backbox.</p> <p><b>NOTE:</b> Add "-R" to models for weatherproof replacement device (no back box included). Only for use with weatherproof outdoor flush mounting plate, WTP and WTPW.</p> <p><b>NOTE:</b> Add "P" to model for plain housing. (No "FIRE" marking on cover.)</p>			

Sync•Circuit™ is a trademark and NOTIFIER® and SpectrAlert® are registered trademarks of Honeywell International Inc.  
©2011 by Honeywell International Inc. All rights reserved. Unauthorized use of this document is strictly prohibited.



This document is not intended to be used for installation purposes.  
We try to keep our product information up-to-date and accurate.  
We cannot cover all specific applications or anticipate all requirements.  
All specifications are subject to change without notice.

For more information, contact Notifier. Phone: (203) 484-7161, FAX: (203) 484-7118.  
www.notifier.com





**SILENT  
KNIGHT**

by Honeywell

## SK-Pull-SA and SK-Pull-DA

### Intelligent Pull Stations

The SK-Pull-SA and SK-Pull-DA are a single action or dual action addressable fire alarm pull station for use with Silent Knight's IntelliKnight fire control panel. Extremely easy to operate, the SK-Pull-DA and SK-Pull-SA provide a fast and practical means of manually initiating a fire alarm signal. The IntelliKnight panel recognizes each manual pull station by its specific address saving precious seconds in determining the location of an alarm.

For more information about the IntelliKnight system, or to locate your nearest source, please call 1-800-328-0103.

### Description

The SK-Pull-SA is a single action pull station requiring only one motion to activate the station. The SK-Pull-DA is a dual action pull station requiring two motions to activate the station. Both pull stations are designed to work with Silent Knight IntelliKnight series fire alarm control panels (FACPs).

### Features

- Installer can open station without causing an alarm condition
- Dual-color LED is visible through handle of station blinks green to indicate normal operation and remains steady red in an alarm condition
- Key operated test and reset lock using lock plate actuator
- Key matches compatible FACP locks
- Meets the Americans with Disabilities Act Accessibility Guidelines (ADAAG) controls and operating mechanisms guidelines (Section 4.1.3[13])
- Meets ADA requirement for 5 lbs maximum pull force to activate
- Shell, door, and handle molded from durable LEXAN®
- Reliable analog communications for trouble-free operation
- Braille text on station handle
- Handle latches in down position and the word *Activated* appears, clearly indicating the station has been pulled
- Rotary address switches for fast installation
- UL Listed, including UL 38, Standard of Manually Actuated Signaling System



**SK-Pull-SA**



**SK-Pull-DA**

### Compatibility

The SK-Pull-SA and SK-Pull-DA are compatible with the following IntelliKnight FACP's:

5600  
5700  
5808  
5820XL  
5820XL-EVS

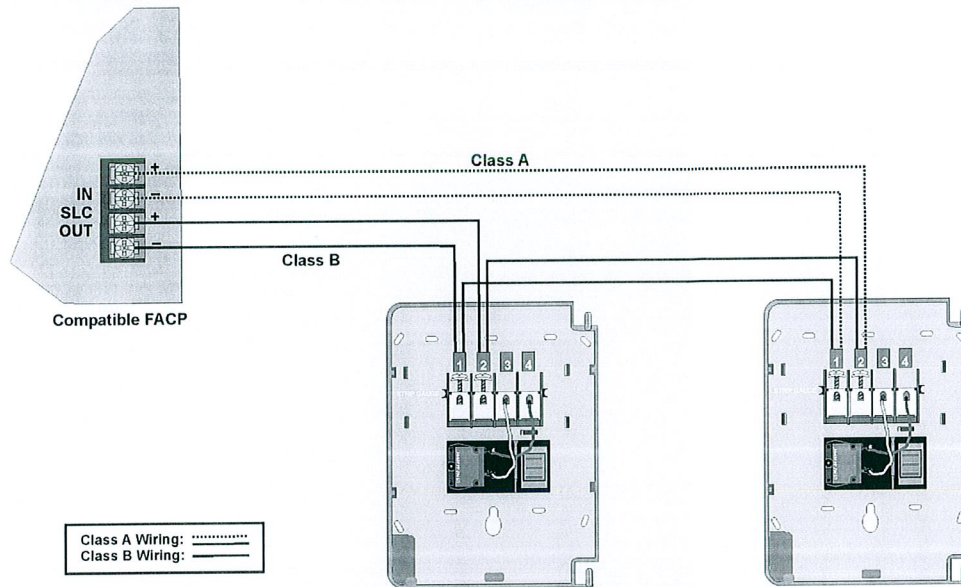


# Model SK-Pull-DA and SK-Pull-SA Intelligent Pull Stations

## Engineering Specifications

The contractor shall furnish and install where indicated on the plans, Addressable Pull Stations, Silent Knight model SK-Pull-SA single action pull station or SK-Pull-DA, dual action pull station.

SK-Pull-DA or SK-Pull-SA meet the ADAAG controls and operating mechanisms guidelines, and the ADA requirements for a 5 lb. maximum pull force to activate the pull station.



Wiring SK-Pull-SA & SK-Pull-DA Pull Stations

### Specifications

#### Physical

Height: 5.5" (14 cm)

Width: 4" (10.2 cm)

Depth: 5.4 oz. (3.7 cm)

Housing Material: LEXAN polycarbonate resin

Bi-Colored LED:

Blinking Green: Normal

Steady Red: Alarm

Switch: Single pole, single throw (SPST) normally open (N/O) switch which closes upon activation of the pull station

#### Electrical

Operating Voltage: 15–32 VDC

Average Operating Current (LED flashing): 300  $\mu$ A

Wire Gauge: Up to 12 AWG (3.1 mm<sup>2</sup>)

#### Environmental

Operating Temperature 32° – 120°F (0°C – 49°C)

Humidity: 10% – 93% non-condensing

#### Accessories

BG-TR

Optional trim ring.

SB-I/O

Surface backbox



This document is not intended to be used for installation purposes. We try to keep our product information up-to-date and accurate. We cannot cover all specific applications or anticipate all requirements. All specifications are subject to change without notice. For more information, contact Silent Knight 12 Clintonville Road, Northford, CT 06472-1610 Phone: (800) 328-0103, Fax: (203) 484-7118. For Technical Support, Please call 800-446-6444. [www.silentknight.com](http://www.silentknight.com)

**MADE IN AMERICA**

FORM# 350135 Rev C  
© 2013 Honeywell International Inc.





**SILENT  
KNIGHT**

by Honeywell

## SK-Photo, SK-Photo-T and SK-PhotoR

### Intelligent Photoelectric Smoke Sensors

The SK-Photo is a photoelectric smoke detector, the SK-Photo-T is a photoelectric smoke detector with thermal and SK-PhotoR is a photoelectric detector with remote test capability. These plug in smoke detectors, with integral communication, provide features that surpass conventional detectors and are for use with Silent Knight IntelliKnight Fire Alarm Control Panels (FACPs).

For more information about the IntelliKnight system, or to locate your nearest source, please call 800-328-0103.

### Description

SK-Photo and SK-Photo-T are plug-in type smoke sensors that combine a photoelectric sensing chamber with addressable analog communications. Point ID capability allows each detector's address to be set with rotary address switches, providing exact detector locations for selective maintenance when chamber contamination reaches unacceptable levels.

SK-Photo and SK-Photo-T have a unique optical sensing chamber that is engineered to sense smoke produced by a wide range of combustion sources. In the SK-Photo-T, dual electronic thermistors add 135°F (57°C) thermal technology to maximize detection.

The SK-PhotoR is a remote test capable detector for use with the DNR/DNRW duct smoke detector. (not included)

### Features

- Sleek, low-profile design
- Base included
- Reliable analog communications for trouble-free operation
- Age resistant polymer housing
- Dual electronic thermistor design on the SK-Photo-T
- Superior EMI resistance for reliability
- Simple field cleaning for code compliance
- Variety of mounting options to meet any application
- Dual LED indicators for 360° visibility
- Detector transmits signal to indicate maintenance is required

- Optional remote LED annunciator (System Sensor® PN RA100Z)
- Plug-in mounting provides ease of installation
- Tamper-proof feature available on mounting bases
- Listed for use in duct applications
- Rotary address switches for fast installation
- UL Listed
- FM Approved

### Specifications

#### Physical

Height: 2.0" (5.0 cm)  
Diameter: 4.1" (10.4 cm) installed in B501 base

#### Electrical

Operating Voltage: 15–32 VDC  
Standby Current:  
300 µA @ 24 VDC Maximum  
Alarm Current: 6.5 mA @ 24 VDC max (with LED on)

#### Environmental

Operating Temperature  
SK-Photo: 32° – 120°F (0°C – 49°C)  
SK-Photo-T: 32° – 100°F (0°C – 38°C)  
Humidity: 10% – 93% non-condensing

#### Other Ratings

SK-Photo-T Thermal: Fixed temperature set point 135°F (57°C)  
Velocity: 0 – 4000 fpm (0 – 20 m/sec)



**SK-Photo (Base included)**

### Installation

The SK-Photo and SK-Photo-T plug into a compatible IntelliKnight-series detector base. The SK-PhotoR is a remote test capable detector head included within the DNR (W) duct smoke detector.

### Compatibility

SK-Photo, and SK-Photo-T are compatible with the following detector bases:

B210LP	6" base (included)
B501	2 wire base
B224RB	Relay base
B224BI	Isolator base
B200SR	Sounder base

The SK-Photo, SK-Photo-T, and SK-PhotoR are compatible with the following IntelliKnight FACPs:

5820XL  
5820XL-EVS  
5808  
5700  
5600 (Rev 2.0 or higher)



## Model SK-Photo, SK-Photo-T and SK-PhotoR Intelligent Photoelectric Smoke Sensors

### Engineering Specifications

The contractor shall furnish and install where indicated on the plans, Intelligent photoelectric smoke sensors Silent Knight SK-Photo or SK-Photo-T with thermal. The combination detector head, and twist-lock base, shall be UL listed and compatible with Silent Knight's IntelliKnight fire control panels.

The base shall permit direct interchange with SK-Photo or SK-Photo-T. Base shall be the appropriate twist-lock base part number B210LP (included).

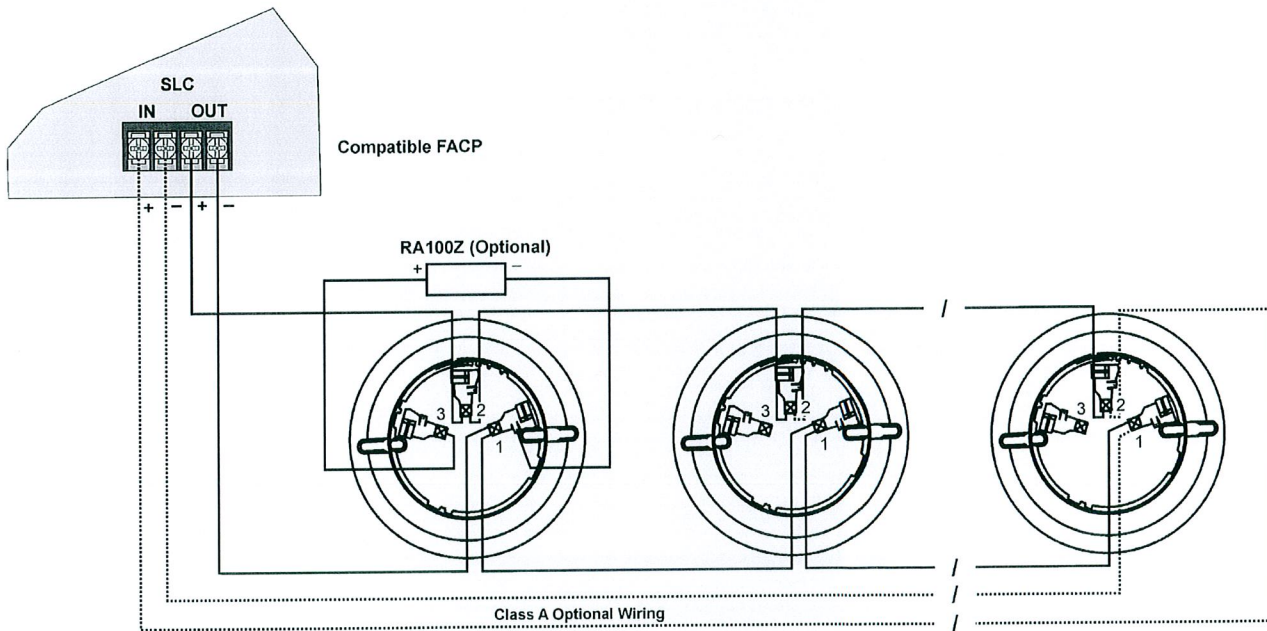
The PhotoR is a remote test capable detector for use with DNR(W) duct smoke detectors. (not included).

The smoke detector shall have a flashing status LED for visual supervision. When the detector is actuated, the flashing LED will latch on steady. The detector may be reset by actuating the control panel reset switch.

The calibration of the detector shall be capable of being selected and measured by the control panel without the need for external test apparatus.

The vandal-resistant, security locking feature shall be used in those areas as indicated on the drawing. The locking feature shall be field selectable as required.

The SK-Photo shall automatically perform a functional test of the detector. The test method shall simulate effects of products of combustion in the chamber to ensure testing of detector circuits.



Wiring SK-Series Detector Mounting Bases



**SILENT  
KNIGHT**

by Honeywell

This document is not intended to be used for installation purposes. We try to keep our product information up-to-date and accurate. We cannot cover all specific applications or anticipate all requirements. All specifications are subject to change without notice. For more information, contact Silent Knight 12 Clintonville Road, Northford, CT 06472-1610 Phone: (800) 328-0103, Fax: (203) 484-7118. For Technical Support, Please call 800-446-6444.  
[www.silentknight.com](http://www.silentknight.com)

**MADE IN AMERICA**

FORM# 350118 Rev E  
© 2013 Honeywell International Inc.