



**SILENT  
KNIGHT**

by Honeywell

## **IntelliKnight® 5808 Single Loop Addressable Fire Alarm Control System**

**The convenience of an addressable fire alarm control panel in a cost-effective easy to use package.**

IntelliKnight Model 5808 is a 127 point class leading single loop addressable fire alarm control/communicator system. 5808 provides you with the revolutionary value and performance of addressable sensing technology combined with exclusive, built-in digital communication, distributed intelligent power, easy to use interface. Powerful features such as drift compensation and maintenance alert are delivered in this powerful FACP from Silent Knight.

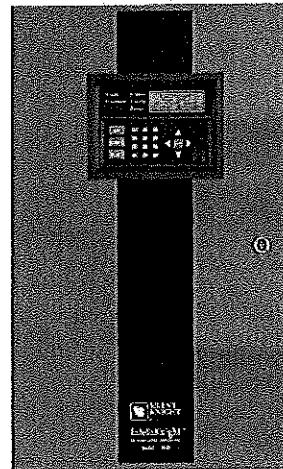
For more information about the IntelliKnight system, or to locate your nearest source, please call 1-800-328-0103.

### **Description**

The basic 5808 system can be enhanced by adding modules such as 5860 remote annunciator, 5824 serial/parallel printer interface module (for printing system reports), and 5496 intelligent power module. 5808 supports SD or SK protocol devices. 5808 also features a powerful built-in dual line fire communicator that allows for reporting of all system activity to a remote monitoring location.

### **Features**

- Built-in support for up to 99 SK detectors *and* 99 SK modules.
- Built in support for 127 SD devices.
- Up to 125 zones and 125 output groups.
- Uses standard wire—no shielded or twisted pair required
- Built-in digital communicator.
- Central station reporting by point or by zone
- Supports Class B (Style 4) and Class A (Style 6 or 7) configuration for SLC.
- Distributed, intelligent power.
- Drift compensation.
- 13 pre-programmed output cadences, (including ANSI-3.41), and 4 programmable outputs.
- Notification circuits can be configured as 2 Class A (Style Z) or 4 Class B (Style Y), or auxiliary power for resettable, constant, or door holder power.
- Built-in annunciator with 80-character LCD display.
- RS-485 bus provides communication to system accessories.
- Built-in RS-232 and USB interface for programming via a PC.
- Upload or download programming, event history, or detector status via remote or direct connection.
- Improvements in SKSS deliver five times faster upload/downloads.
- Built-in synchronization for appliances from AMSECO, Gentex®, Faraday, System Sensor®, and Wheelock®.
- One Form C trouble relay rated at 2.5A at 27.4 VDC and two Form C programmable relays rated at 2.5A at 27.4 VDC.



**Model 5808**

- Plex-2 door option combines a dead front cabinet door with a clear window, limiting access to the panel while providing single button operation of the reset and silence functions.
- Integrated dead front panel protects operator from exposure to electrical components.
- The FACP enclosure features a Plexiglass® viewing window to protect annunciator.
- Acknowledge function allows operator to keep track of event status.

### **Installation**

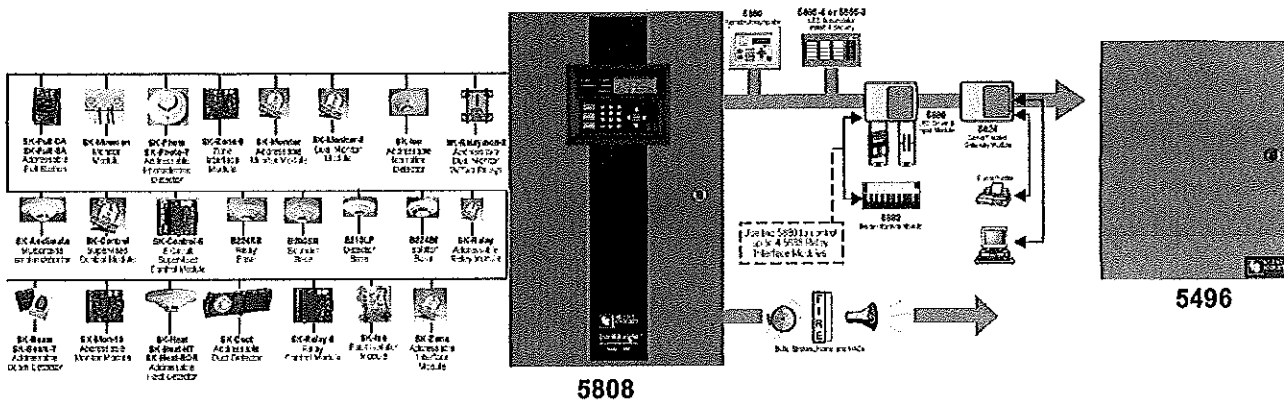
The 5800 can be surface or flush mounted.

### **Compatibility**

The 5808 signal line circuit (SLC) supports multiple device types of the *same* protocol:

- SK (System Sensor)
- SD

You cannot mix SD and SK SLC devices on a FACP.



**Specifications**

**Electrical**

Primary AC: 120 VRMS at 50/60 Hz, 2.75A

Total Accessory Load: 6A @ 27.4 VDC

Notification Power: 6A @ 27.4 VDC, power-limited

Standby Current: 170 mA

Alarm Current: 325 mA

Notification & Auxiliary Circuits: 3A @ 27.4 VDC per circuit, power-limited

Battery Charging Capacity: 7.0-35 AH

Battery Size: 18 AH max. allowed in FACP. Larger capacity batteries can be housed in an RBB accessory cabinet

**Physical**

Flush Mount Dimensions: 14.5" W x 24.75" H x 3.5" D (36.8 W x 62.9 H x 8.73 D cm)

Overall Dimensions: 16" W x 26.4" H x 4.65" D (40.6 W x 67 H x 11.8 D cm)

Weight: 28 lbs. (12.8 kg)

Color: Red

Telephone Requirements:

FCC Part 15 and Part 68 approved  
Type of Jack: RJ31X (two required)

**Approvals**

NFPA 13, NFPA 15, NFPA 16, NFPA 70, & NFPA 72: Central Station; Remote Signalling; Local Protective Signalling Systems; Auxiliary

Protected Premises Unit; & Water Deluge Releasing Service. Suitable for automatic, manual, waterflow, sprinkler supervisory (DACT non-coded) signalling services.

UL Listed  
CSFM 7165-0559:0142;  
MEA 429-92-E Vol. XIV

**S-BUS Accessories**

**5860/R Remote Fire Annunciator**

Features the same 80 character backlit LCD display keypad and firefighter's key switch as the 5808. 5860 is gray and 5860R is red.

**5496 Intelligent Power Module**

A 6 amp notification power expander that provides four additional power-limited notification appliance circuit outputs.

**5880 LED/IO Module**

Features 40 LED outputs, 8 normally open dry contact inputs and one piezo output.

**5865-3 and 5865-4 Remote LED Annunciator**

Features 30 programmable LED (15 red and 15 yellow) outputs and a piezo sounder. The 5865-4 adds a silence and reset switch to the package.

**5824 Serial/Parallel Printer Interface Module**

Provides one parallel and one RS-232 serial port for connecting a printer to 5808. Use to print a real-time log of system events, detector status reports, and event history.

**5883 Relay Board**

Features 10 general purpose Form C relays. Used with 5880 module.

**Miscellaneous Accessories**

**5660 Silent Knight Software Suite**

PC-base software for FACP programming. Upload and view panel account information, event history, and detector status.

**5670 Silent Knight Software Suite**

End-user facility management software allows viewing of detector status and event history via modem or direct connection.

**Plex-2 Door**

Dead front cabinet door with clear window to limit access to the FACP.

**RBB**

Remote Battery Box Accessory Cabinet. Use if backup batteries are too large to fit into FACP cabinet. Dimensions:

16" W x 10" H x 6" D (406 mm W x 254 mm H x 152 mm D)

**SD and SK Devices**

See the specification sheets listed below for a complete listing of the SD and SK devices.

53624 SD Devices data sheet

53623 SK Devices data sheet

IntelliKnight & JumpStart are Registered Trademarks of Silent Knight Flexput is a Trademark of Silent Knight



This document is not intended to be used for installation purposes. We try to keep our product information up-to-date and accurate. We cannot cover all specific applications or anticipate all requirements. All specifications are subject to change without notice. For more information, contact Silent Knight 12 Clintonville Road, Northford, CT 06472-1610. Phone: (800) 328-0103, Fax: (203) 484-7118. www.silentknight.com

**MADE IN AMERICA**

350386 Rev. J  
© 2012 Honeywell International Inc.



**SILENT  
KNIGHT**

by Honeywell

## 5496 Intelligent Power Module

**A dynamic combination of power and intelligence for your notification expansion needs.**

The Model 5496 Intelligent Power Module by Silent Knight is the most-powerful and cost-effective power supply available today. It delivers 6 amps of notification appliance circuit power and built-in synchronization for appliances from System Sensor®, Gentex®, Faraday, AMSECO and Wheelock® — what you need to drive power-hungry components like ADA notification appliances. The 5496's advanced microprocessor design is years ahead of the competition. Its switch mode power supply design is up to 50% more efficient than competitive linear mode power supplies.

For the most sophisticated and cost-effective notification power supply available, you need Model 5496. Call Silent Knight today for more information at 1-800-328-0103.

### Model 5496 Intelligent Power Module

The model 5496 is a 6 amp notification power expander that provides its own AC power connection, battery charging circuit, and backup battery for use with fire and security controls such as the IntelliKnight Model 5808 Fire Control /Communicator. The 5496 is the cost-effective solution for powering notification appliances required by the Americans with Disabilities Act (ADA). The 5496 has built-in ANSI cadence pattern, which can upgrade older control panels that lack cadence capability. The Output circuits can be programmed as Notification Appliance Circuits, or as Auxiliary Power (configurable for, constant, resettable, or door holder power).

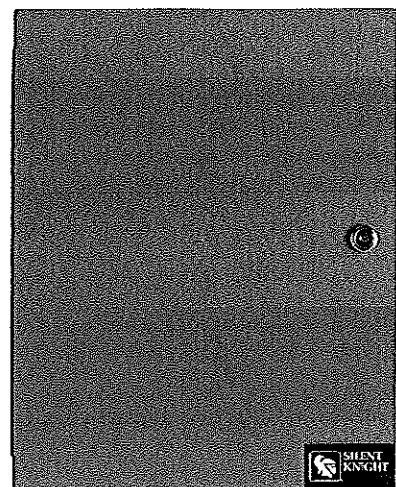
#### Features

- UL Listed for 6 amps of notification power
- Power supply's advanced switch mode design reduces damaging heat and manages power up to 50% more efficiently than other systems
- Built-in synchronization for appliances from AMSECO, Gentex®, Faraday, System Sensor®, and Wheelock®
- 24 VDC filtered output voltage
- Four power-limited notification outputs; 2 Class A or 4 Class B, or 1 Class A and 2 Class B
- NACs are programmable as Notification Appliance Circuits, or as auxiliary power to be used as constant, resettable, or door holder power

- 3 amps per output circuit
- Ground fault detector
- Communicates to the FACP via 4-wire SBUS (wire runs up to 6000 ft)
- AC loss delay option shuts off power to non-essential high-current accessories like magnetic door holders
- Lightweight design adds to ease of installation and reduces shipping costs
- UL 864, 1481 & 1971 listed
- ANSI Cadence pattern output capability built-in

#### Specifications

AC Input	120 VAC at 2.7 A
Output:	24 VDC at 6 amps
Current:	
Standby	40 mA
Alarm	160 mA
Notification/Aux. Power circuits:	4
Output configuration:	2 Class A (Style Z) 4 Class B (Style Y) (1 Class A & 2 Class B)
Amps per output circuit:	3.0 (6.0 amps total)
Notification circuit output:	20.4 to 27.3 VDC @ 3.0 amps each, 4.7k EOL resistor required on each Class B circuit
Battery charging capacity:	35.0 AH



### Model 5496 Intelligent Power Module

Ambient Temp.:	32° to 120° F 0° to 49° C
Dimensions:	12.25" W x 16" H x 3" D (30.88 cm W x 40.64 cm H x 7.62 D cm)
Approvals:	UL CSFM MEA 429-92-E vol. XIV

#### Compatible FACPs

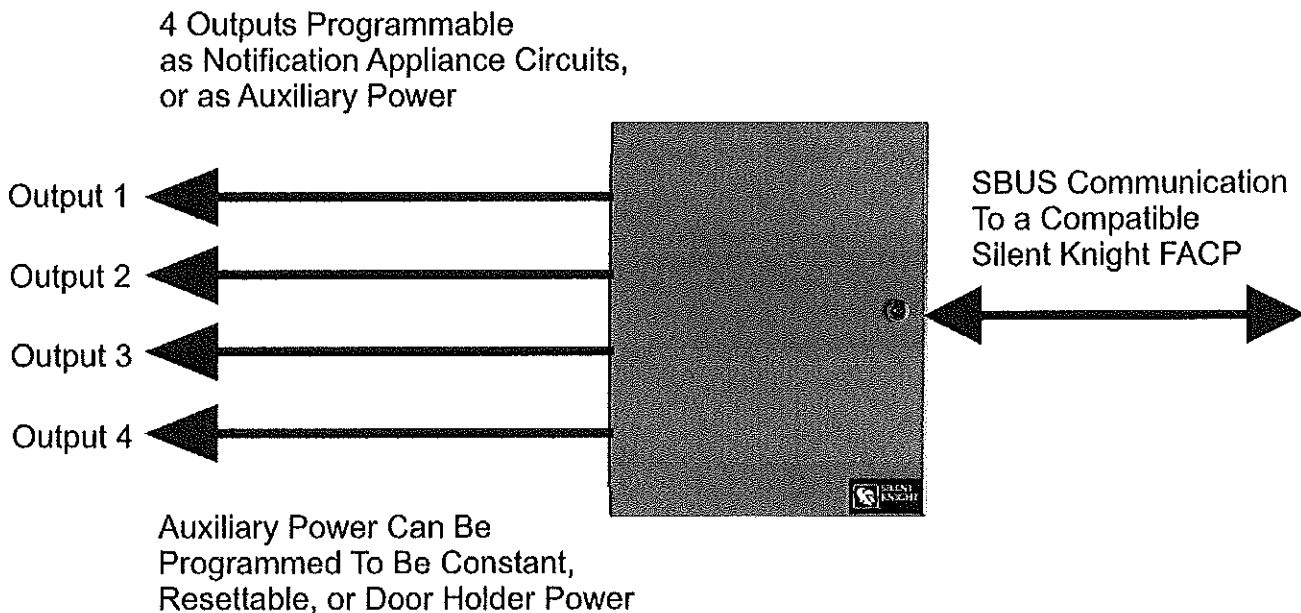
- IntelliKnight 5700
- IntelliKnight 5808
- IntelliKnight 5820XL

# Firepower 5496 Distributed Power Module

## Engineering Specifications

The contractor shall supply a power module compatible with the Silent Knight FACP. The power module must have 6.0 amps of output power. The power module shall connect to the main FACP via an RS 485 system bus (SBUS). The Outputs shall be programmable as Notification Appliance Circuits, or as Auxiliary Power (configurable for, constant, resettable, or door holder power). The power module shall have four separate outputs.

The power module RS 485 bus shall be optically isolated providing ground loop isolation and transient protection.



This document is not intended to be used for installation purposes. We try to keep our product information up-to-date and accurate. We cannot cover all specific applications or anticipate all requirements. All specifications are subject to change without notice. For more information, contact Silent Knight 12 Clintonville Road, Northford, CT 06472-1610  
Phone: (800) 328-0103, Fax: (203) 484-7118. [www.silentknight.com](http://www.silentknight.com)

**MADE IN AMERICA**

FORM# 350387 Rev D  
© 2010 Honeywell International Inc.



**SILENT  
KNIGHT**

by Honeywell

## 5860 Remote Annunciator

**Bring the power to control an IntelliKnight fire alarm control panel to every area within your facility.**

Now you can operate and program your IntelliKnight system from up to eight locations throughout your facility. The 5860 remote annunciator provides the same advanced, easy-to-use interface found on the IntelliKnight panel's built-in annunciator. The 80-character display and ergonomically designed keypad allow for simple and error-free system operation. All operations—including reset, silence, detector status checking, fire drill, and programming—are identical.

Access to the system is through a firefighter's key or an access code. For security, a special installation code is needed for programming functions. The 5860 connects to the IntelliKnight panel via the RS-485 system bus. Wire runs can be up to 6000 feet from the panel.

For more information about the IntelliKnight system, or to locate your nearest source, please call 1-800-328-0103.

### Description

Features include an 80-character backlit LCD providing easy-to-understand system messages. The annunciator is ergonomically designed with over-sized buttons for the most frequently used features, like Reset and Silence.

In addition to status messages displayed on the LCD, there are five LEDs for alarm, supervisory, trouble, silence, and AC power status.

The annunciator is available in gray to match virtually any decor and red for applications where the annunciator must stand out. The annunciator enclosure can be surface or flush mounted. A trim ring kit is available for surface mounting.

### Features

- 80-character backlit LCD display (4 lines with 20 characters on each line)
- Tactile and audible feedback
- Accepts user codes or fire fighter's key
- Larger keypad buttons for system reset and silence
- Install up to eight 5860s per FACP
- Available in red or light gray
- Support for simultaneous use of

multiple 5860s

- RS-485 interface to panel
- Operation and appearance is identical to 5860 built-in annunciator
- On-board piezo sounder audibly indicates alarms, troubles, and supervisories
- Five status LEDs for alarm, supervisory, trouble, silence and AC power conditions
- Wiring lengths up to 6000 ft. from the FACP (depending on wire gauge and number of devices on SBUS)
- UL listed, complies with NFPA 72
- CSFM approved

### Electrical Specifications

Operating Voltage: 24 VDC

Standby Current: 20 mA max

Alarm Current: 25 mA

Wiring Distance: 6,000 max. from FACP (depending on wire gauge and number of devices on the SBUS)

Max Per System: 8

### Mechanical Specifications

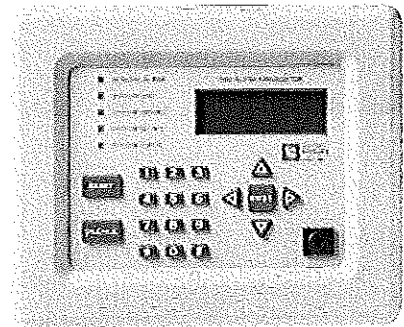
Physical 9.1" W x 7.4" H x 1.5" D (23.1 W x 18.8 H x 3.8 D cm)

Shipping Weight: 2.8 lbs (1.3 kg)

Color

5860R: Red

5860: Gray



5860

### Environmental

Operating Temperature: 32°F – 120°F (0°C – 49°C)

Humidity: 10% – 93% non-condensing

### Compatibility

The 5860 is compatible with the following FACP's:

- IntelliKnight 5820XL FACP
- IntelliKnight 5808 FACP
- IntelliKnight 5700 FACP

### Approvals/Listings

NFPA 72; UL Listed;  
CSFM 7170-0559: 135;  
MEA 429-92-E Vol. IX;  
FM Approved

## 5860 Remote Annunciator

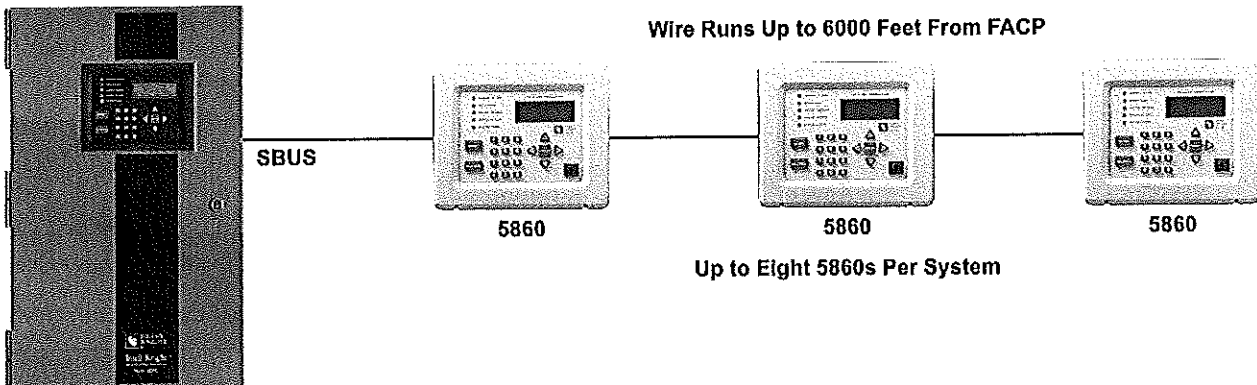
### Engineering Specifications

The main control must have a built-in annunciator and must support up to eight remote annunciators. Remote annunciators shall have the same control and display layout so as to match the appearance of the built-in annunciator. Remote annunciators shall be available in two colors, red or light gray.

Remote annunciators shall have identical functionality and operation as the built-in annunciator. All annunciators must have an 80-character LCD display and must feature five LEDs for: General Alarm, Supervisory, System Trouble, System Silence, and System Power.

All controls and programming keys are silicone mechanical type with tactile and audible feedback. Keys have a travel of .040 inches. No membrane style buttons will be permissible.

The annunciator must be able to silence and reset alarms through the use of a code entered on the annunciator keypad or by using a firefighter's key. The annunciator must have two levels of user codes that will limit the operating system programming to authorized individuals. The control panel must allow all annunciators to accommodate multiple user input simultaneously.



Compatible IntelliKnight FACP

### Ordering Information

- 5860R Remote Annunciator four line LCD annunciator with 20 characters per line. Red.  
 5860 Remote Annunciator. Four line LCD annunciator with 20 characters per line. Gray.

#### Accessories

- 5860TR Red Trim Ring for surface mounting.  
 5860TG Gray Trim Ring for surface mounting.



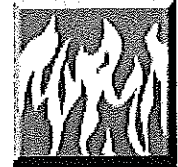
This document is not intended to be used for installation purposes. We try to keep our product information up-to-date and accurate. We cannot cover all specific applications or anticipate all requirements. All specifications are subject to change without notice. For more information, contact Silent Knight 12 Clintonville Road, Northford, CT 06472-1610.  
 Phone: (800) 328-0103, Fax: (203) 484-7118. [www.silentknight.com](http://www.silentknight.com)

**MADE IN AMERICA**

FORM# 350224 Rev E  
 © 2010 Honeywell International Inc.



## SK-Photo and SK-Photo-T



### Intelligent Photoelectric Smoke Sensors

The SK-Photo is a photoelectric smoke detector and the SK-Photo-T is a photoelectric smoke detector with thermal. These plug-in smoke detectors, with integral communication, provide features that surpass conventional detectors and are for use with Silent Knight IntelliKnight Fire Alarm Control Panels (FACPs).

For more information about the IntelliKnight system, or to locate your nearest source, please call 800-328-0103 or in Connecticut, call (203) 484-7161.

### Description

SK-Photo and SK-Photo-T are plug-in type smoke sensors that combine a photoelectric sensing chamber with addressable analog communications. Point ID capability allows each detector's address to be set with rotary address switches, providing exact detector locations for selective maintenance when chamber contamination reaches unacceptable levels.

SK-Photo and SK-Photo-T have a unique optical sensing chamber that is engineered to sense smoke produced by a wide range of combustion sources. In the SK-Photo-T, dual electronic thermistors add 135°F (57°C) thermal technology to maximize detection.

### Features

- Sleek, low-profile design
- Base included
- Reliable analog communications for trouble-free operation
- Age resistant polymer housing
- Dual electronic thermistor design on the SK-Photo-T
- Superior EMI resistance for reliability
- Simple field cleaning for code compliance
- Variety of mounting options to meet any application
- Dual LED indicators for 360° visibility
- Detector transmits signal to indicate maintenance is required
- Optional remote LED annunciator (System Sensor® PN RA100Z)

- Plug-in mounting provides ease of installation
- Tamper-proof feature available on mounting bases
- Listed for use in duct applications
- Rotary address switches for fast installation
- UL Listed
- FM Approved

### Specifications

#### Physical

Height: 2.0" (5.0 cm)  
Diameter: 4.1" (10.4 cm)  
Shipping Weight: 5.2 oz. (147 g)

#### Electrical

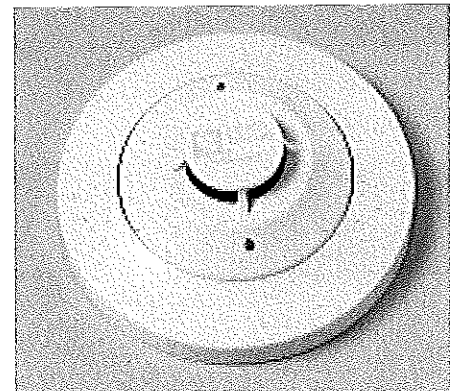
Operating Voltage: 15–32 VDC  
Standby Current:  
300 µA @ 24 VDC Maximum  
Alarm Current: 6.5 mA @ 24 VDC max  
(with LED on)

#### Environmental

Operating Temperature  
SK-Photo: 32° – 120°F (0°C – 49°C)  
SK-Photo-T: 32° – 100°F (0°C – 38°C)  
Humidity: 10% – 93% non-condensing

#### Other Ratings

SK-Photo-T Thermal: Fixed  
temperature set point 135°F (57°C)  
Velocity: 0 – 4000 fpm (0 – 20 m/sec)  
SK-Photo Insect Screen Hole Size:  
0.016" (0.41 mm) nominal



SK-Photo (Base included)

### Compatibility

The SK-Photo and SK-Photo-T are compatible with the following IntelliKnight FACPs:

5700  
5808  
5820XL

SK-Photo and SK-Photo-T are compatible with the following detector bases:

B210LP	(included) 6" base
B501	2 wire base
B501BHT-2	Temporal base
B224RB	Relay base
B224BI	Isolator base
B501BH-2	Sounder base



**SILENT  
KNIGHT**

by Honeywell

# Model SK-Photo and SK-Photo-T Intelligent Photoelectric Smoke Sensors



## Engineering Specifications

The contractor shall furnish and install where indicated on the plans, Intelligent photoelectric smoke sensors Silent Knight SK-Photo or SK-Photo-T with thermal. The combination detector head, and twist-lock base, shall be UL listed and compatible with Silent Knight's IntelliKnight fire control panels.

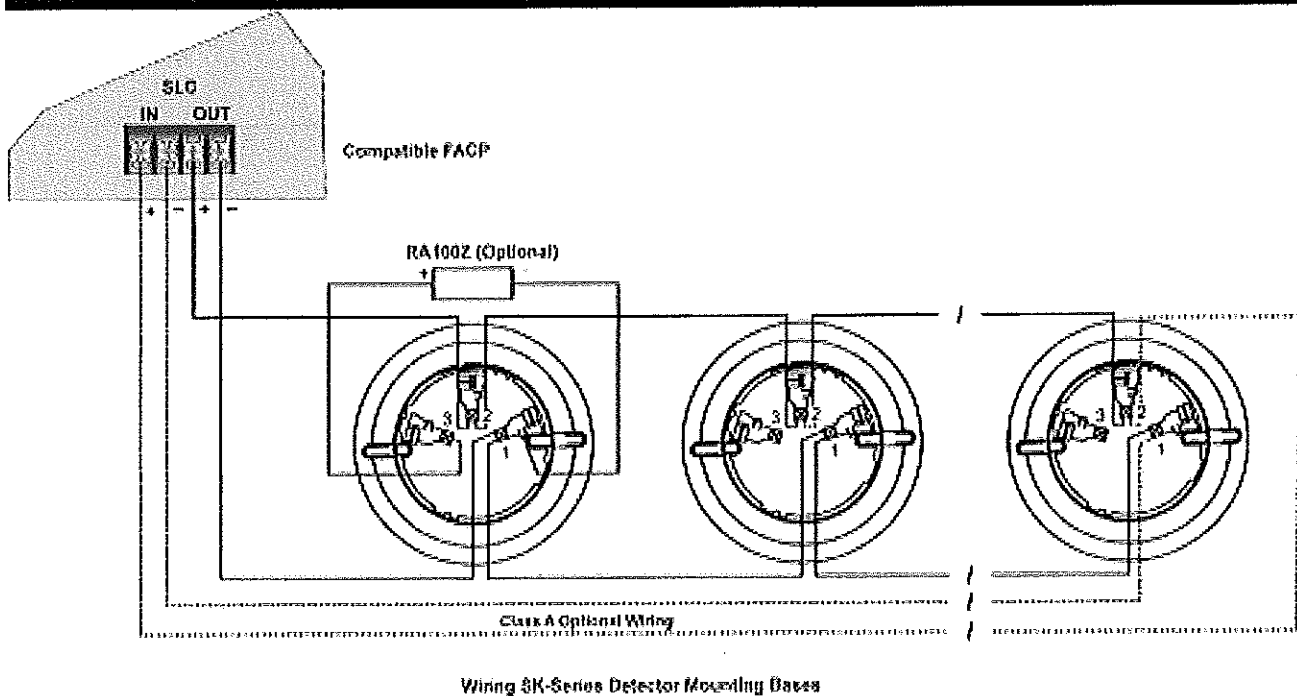
The base shall permit direct interchange with SK-Photo or SK-Photo-T. Base shall be the appropriate twist-lock base part number B210LP (included).

The smoke detector shall have a flashing status LED for visual supervision. When the detector is actuated, the flashing LED will latch on steady. The detector may be reset by actuating the control panel reset switch.

The calibration of the detector shall be capable of being selected and measured by the control panel without the need for external test apparatus.

The vandal-resistant, security locking feature shall be used in those areas as indicated on the drawing. The locking feature shall be field selectable as required.

The SK-Photo shall automatically perform a functional test of the detector. The test method shall simulate effects of products of combustion in the chamber to ensure testing of detector circuits.



**SILENT  
KNIGHT**

by Honeywell

This document is not intended to be used for installation purposes. We try to keep our product information up-to-date and accurate. We cannot cover all specific applications or anticipate all requirements. All specifications are subject to change without notice. For more information, contact Silent Knight 12 Clintonville Road, Northford, CT 06472-1610 Phone: (800) 328-0103, Fax: (203) 484-7118. [www.silentknight.com](http://www.silentknight.com)

**MADE IN AMERICA**

FORM# 350118 Rev A,  
© 2009 Honeywell International Inc.





**SILENT  
KNIGHT**

by Honeywell

## SK-Pull-SA and SK-Pull-DA

### Intelligent Pull Stations

The SK-Pull-SA and SK-Pull-DA are a single action or dual action addressable fire alarm pull station for use with Silent Knight's IntelliKnight fire control panel. Extremely easy to operate, the SK-Pull-DA and SK-Pull-SA provide a fast and practical means of manually initiating a fire alarm signal. The IntelliKnight panel recognizes each manual pull station by its specific address saving precious seconds in determining the location of an alarm.

For more information about the IntelliKnight system, or to locate you nearest source, please call 1-800-328-0103.

### Description

The SK-Pull-SA is a single action pull station requiring only one motion to activate the station. The SK-Pull-DA is a dual action pull station requiring two motions to activate the station. Both pull stations are designed to work with Silent Knight IntelliKnight series fire alarm control panels (FACPs).

### Features

- Installer can open station without causing an alarm condition
- Dual-color LED is visible through handle of station blinks green to indicate normal operation and remains steady red in an alarm condition
- Key operated test and reset lock using lock plate actuator
- Key matches compatible FACP locks
- Meets the Americans with Disabilities Act Accessibility Guidelines (ADAAG) controls and operating mechanisms guidelines (Section 4.1.3[13])
- Meets ADA requirement for 5 lbs maximum pull force to active
- Shell, door, and handle molded from durable LEXAN®
- Reliable analog communications for trouble-free operation
- Braille text on station handle
- Handle latches in down position and the word *Activated* appears, clearly indicating the station has been pulled
- Rotary address switches for fast installation
- UL Listed, including UL 38, Standard of Manually Actuated Signaling System



SK-Pull-SA



SK-Pull-DA

### Compatibility

The SK-Pull-SA and SK-Pull-DA are compatible with the following IntelliKnight FACP's:

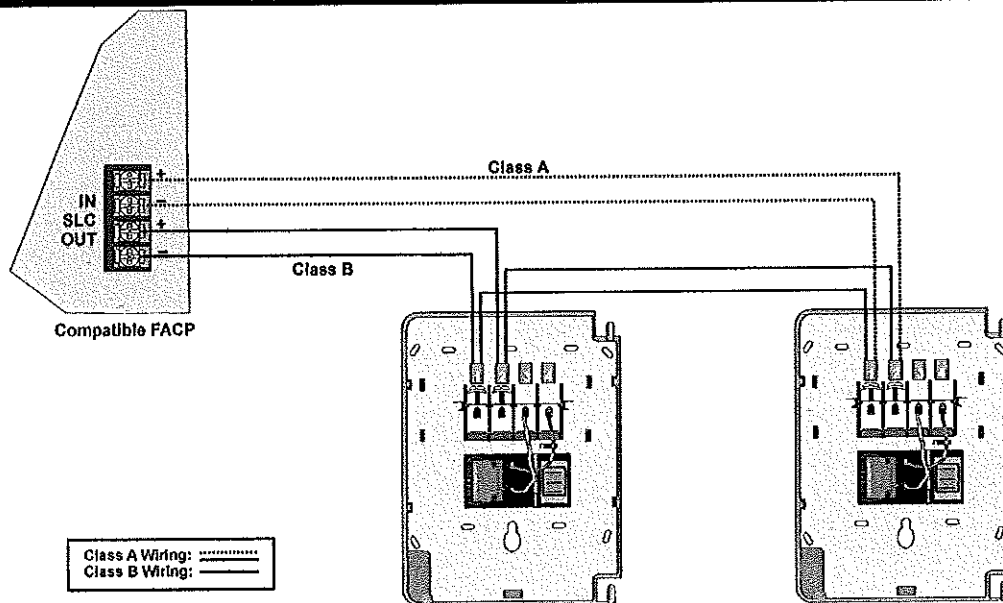
5600  
5700  
5808  
5820XL

# Model SK-Pull-DA and SK-Pull-SA

## Engineering Specifications

The contractor shall furnish and install where indicated on the plans, Addressable Pull Stations, Silent Knight model SK-Pull-SA single action pull station or SK-Pull-DA, dual action pull station.

SK-Pull-DA or SK-Pull-SA meet the ADAAG controls and operating mechanisms guidelines, and the ADA requirements for a 5 lb. maximum pull force to activate the pull station.



Wiring SK-Pull-SA & SK-Pull-DA Pull Stations

### Specifications

#### Physical

Height: 5.5" (14 cm)

Width: 4" (10.2 cm)

Depth: 5.4 oz. (3.7 cm)

Housing Material: LEXAN polycarbonate resin

BI-Colored LED:

Blinking Green: Normal

Steady Red: Alarm

Switch: Single pole, single throw (SPST) normally open (N/O) switch which closes upon activation of the pull station

#### Electrical

Operating Voltage: 15–32 VDC

Average Operating Current (LED flashing): 300  $\mu$ A

Wire Gauge: Up to 12 AWG (3.1 mm<sup>2</sup>)

#### Environmental

Operating Temperature 32° – 120°F (0°C – 49°C)

Humidity: 10% – 93% non-condensing

#### Accessories

BG-TR Optional trim ring.

SB-I/O Surface backbox



**SILENT  
KNIGHT**

by Honeywell

This document is not intended to be used for installation purposes. We try to keep our product information up-to-date and accurate. We cannot cover all specific applications or anticipate all requirements. All specifications are subject to change without notice. For more information, contact Silent Knight 12 Clintonville Road, Northford, CT 06472-1610 Phone: (800) 328-0103, Fax: (203) 484-7118. [www.silentknight.com](http://www.silentknight.com)

**MADE IN AMERICA**

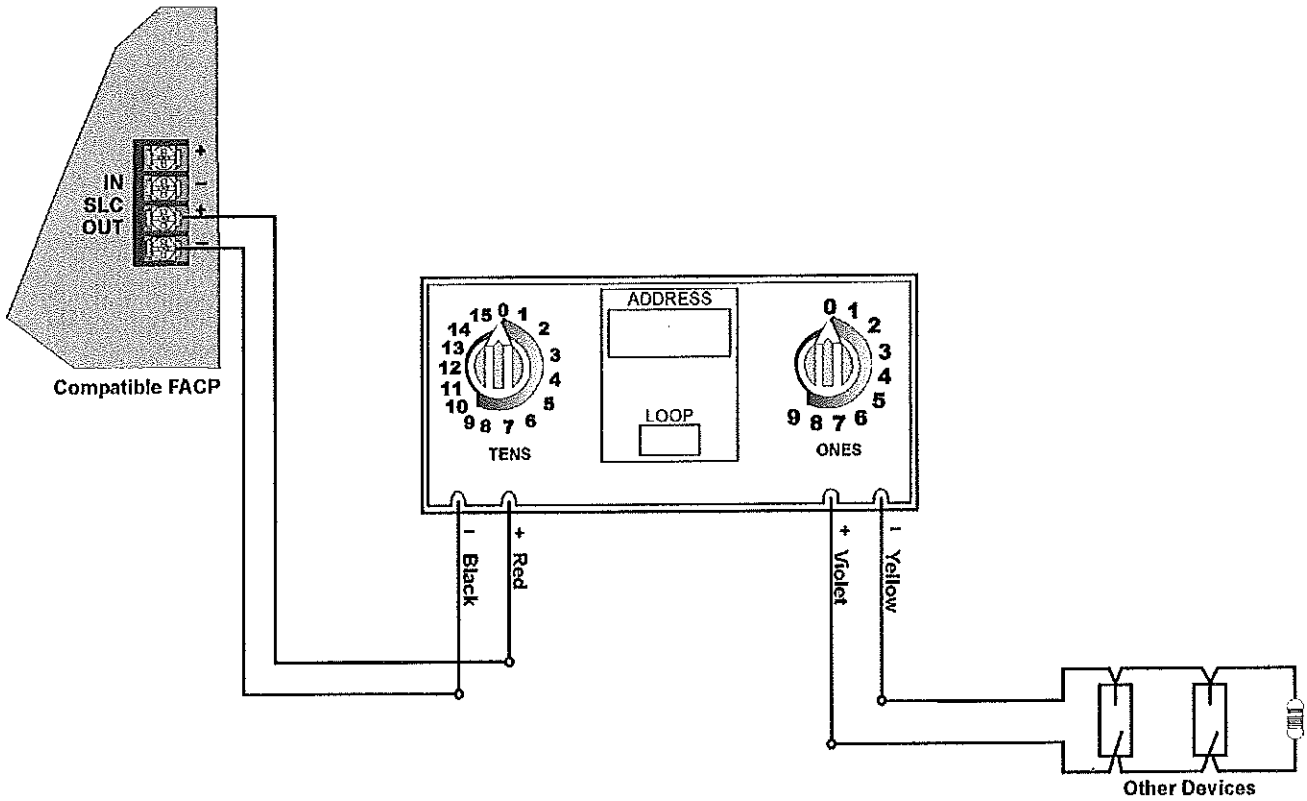
FORM# 350135 Rev A  
© 2009 Honeywell International Inc.

# SK-Minimon Intelligent Monitor Module

## Engineering Specifications

The contractor shall furnish and install where indicated on the plans, addressable monitor modules Silent Knight SK-Minimon. The modules shall be UL listed and compatible with Silent Knight's IntelliKnight FACP's. The device shall be capable of Styles A and B supervised wiring to the load device.

The SK-Minimon shall be installed inside a single gang junction box directly behind the monitored unit.



Wiring the SK-Minimon



This document is not intended to be used for installation purposes. We try to keep our product information up-to-date and accurate. We cannot cover all specific applications or anticipate all requirements. All specifications are subject to change without notice. For more information, contact Silent Knight 12 Clintonville Road, Northford, CT 06472-1610 Phone: (800) 328-0103, Fax: (203)484-7118. [www.silentknight.com](http://www.silentknight.com)

**MADE IN AMERICA**

FORM# 350133 Rev B

© 2010 Honeywell International Inc



**SILENT  
KNIGHT**

by Honeywell

**SK-Minimon**

## Intelligent Mini Monitor Module

The SK-Minimon addressable mini monitor modules for use with Silent Knight IntelliKnight fire alarm control panels (FACP). The SK-Minimon is designed to be used with pull stations, water flow switches, and other applications requiring dry contact alarm initiation devices.

For more information about the IntelliKnight system, or to locate your nearest source, please call 800-328-0103.

### Description

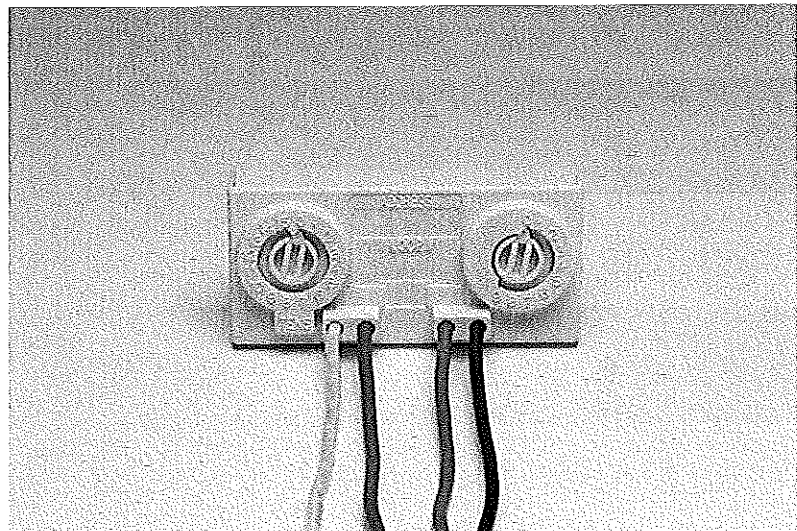
The SK-Minimon is an addressable monitor modules for use with the IntelliKnight fire alarm control panels (FACPs). The SK-Minimon acts as an interface to contact devices, such as waterflow switches and pull stations.

The SK-Minimon supports Class B supervised wiring to the load device. Conventional 4-wire smoke detectors can be monitored for alarm and trouble conditions

The SK-Minimon can be mounted in a single gang junction box directly behind the monitored device. Its small size and light weight allow it to be installed without rigid mounting requirements.

### Features

- Single contact monitor
- SK-Minimon support for Class B (Style B) contact monitor wiring
- Small and lightweight size allows for flexible mounting options
- Rotary address switches for fast installation
- UL listed



SK-Minimon

### Specifications

#### Electrical

Standby Current: 400 uA max @  
24 VDC with comm.  
Voltage Range: 15 - 32 VDC  
End of Line Resistance: 47 k Ohms

#### Physical

Dimensions:  
2.75" W x 1.3" H x 0.5" D  
Weight: 1.2 oz (37 g)

#### Environmental

Operating Temperature:  
32°F – 120°F (0°C – 49°C)

#### Humidity:

10% – 93% non-condensing

### Compatibility

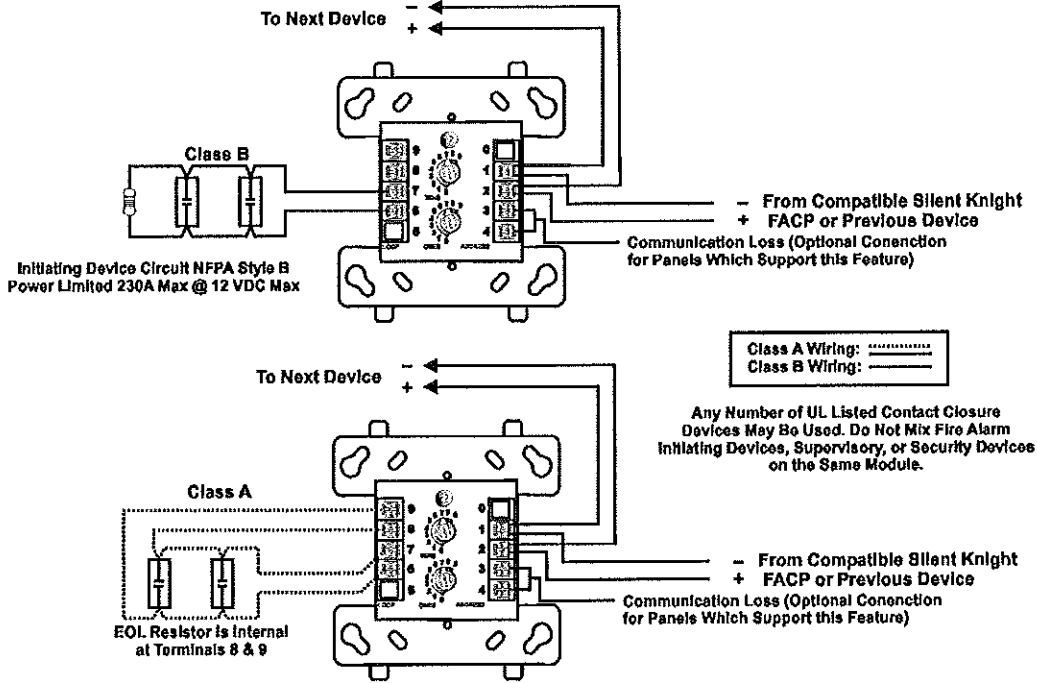
The SK-Minimon is compatible with the following IntelliKnight FACP's:

5700  
5808  
5820XL

#### Approvals

UL approved  
CSFM  
FM Approved

# Model SK-Monitor Intelligent Monitor Module



Wiring IDP-Monitor Modules

## Specifications

### Physical

Height: 4.5" (11.4 cm)  
Width: 4" (10.2 cm)  
Depth: 1.25" (3 cm)  
Shipping Weight: 6.3 oz (196 g)

### Electrical

Operating Voltage: 15 – 32 VDC  
Current Draw (LED on): 5.0 mA max  
Operating Current (LED flashing): 375  $\mu$ A  
Standby Current:

400  $\mu$ A max @ 24 VDC (one communication every 5 sec with 47K EOL)

550  $\mu$ A max @ 24 VDC (one communication every 5 sec with EOL <1K)

5.5 mA (with LED latched on)

LED Current: 5.5 mA (with LED latched on) End-of-Line Resistance: 47K

Initiating Device Circuit Wiring Resistance: 1,500 max  
SLC Loop Resistance: 40 max.

### Environmental

Operating Temperature: 32°F – 120°F (0°C – 49°C)  
Humidity: 10% – 93% non-condensing

## Ordering Information

SK-Monitor      Monitoring Module

## Accessories

SMB500      4" Square Surface Mount Electrical Box



This document is not intended to be used for installation purposes. We try to keep our product information up-to-date and accurate. We cannot cover all specific applications or anticipate all requirements. All specifications are subject to change without notice. For more information, contact Silent Knight 12 Clintonville Road, Northford, CT 06472-1610  
Phone: (800) 328-0103, Fax: (203)484-7118. [www.silentknight.com](http://www.silentknight.com)

**MADE IN AMERICA**

FORM# 350131 Rev B  
© 2010 Honeywell International Inc.



**SILENT  
KNIGHT**

by Honeywell

**SK-Monitor**

**Intelligent Monitor Module**

The SK-Monitor module provides an interface to contact devices, such as security contacts, waterflow switches, or pull stations.

For more information about the IntelliKnight system, or to locate you nearest source, please call 1-800-328-0103.

### Description

The SK-Monitor is an addressable monitor module for use with Silent Knight IntelliKnight series fire alarm control panels (FACPs). The SK-Monitor is intended for use in intelligent, two-wire systems, where individual address of each module is selected using the built-in rotary switches.

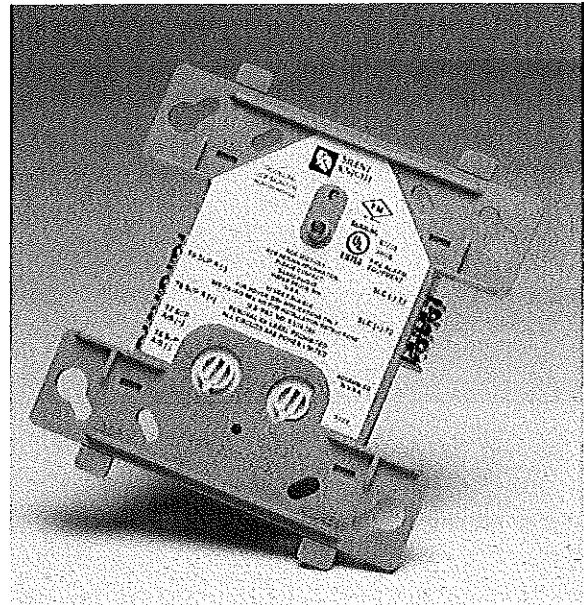
The SK-Monitor supports Class A supervised or Class B supervised wiring to the load device. Conventional 4-wire smoke detectors can be monitored for alarm and trouble conditions.

### Features

- Single contact monitor
- Support for Class A and Class B wiring
- Fully supervised
- Panel controlled status LED that flashes green in normal state and is solid red in alarm
- Attractive ivory cover plate
- Rotary address switches for fast installation
- SEMS screws for easy wiring
- UL Listed

### Installation

The SK-Monitor mounts directly into a 4" square electrical box. The box must have a minimum depth of 2-1/8". A surface mount electrical box (System Sensor® PN SMB500) is available from Silent Knight.



**SK-Monitor**

### Compatibility

The SK-Monitor is compatible with the following IntelliKnight FACP's:

5700  
5808  
5820XL



**SILENT  
KNIGHT**

by Honeywell

## SK-Monitor-2

### Intelligent Dual Monitor Module

The SK-Monitor-2 module is capable of monitoring two separate Class B circuits simultaneously, making it ideal for waterflow tamper switch and flow switch monitoring.

For more information about the IntelliKnight system, or to locate you nearest source, please call 1-800-328-0103.

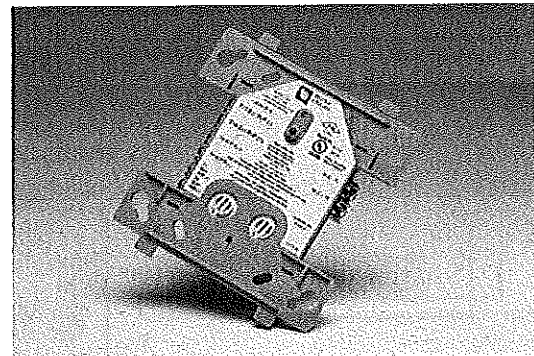
#### Description

The SK-Monitor-2 is an addressable monitor module with two initiating circuits for use with Silent Knight IntelliKnight series fire alarm control panels (FACPs). The SK-Monitor-2 acts as an interface to contact devices, such as waterflow switches and pull stations.

The SK-Monitor-2 supports Class B supervised wiring to the load device. Conventional 4-wire smoke detectors can be monitored for alarm and trouble conditions.

#### Features

- Monitor two circuits, with unique addresses, simultaneously
- Support for Class B wiring
- Fully supervised
- Panel controlled status LED that flashes green in normal state and is solid red in alarm
- Attractive ivory cover plate
- Rotary address switches for fast installation
- SEMS screws for easy wiring
- UL Listed



**SK-Monitor-2**

#### Installation

SK-Monitor-2 mounts directly into a 4" square electrical box. The box must have a minimum depth of 2-1/8". A surface mount electrical box (System Sensor® part number SMB500) is available from Silent Knight.

#### Compatibility

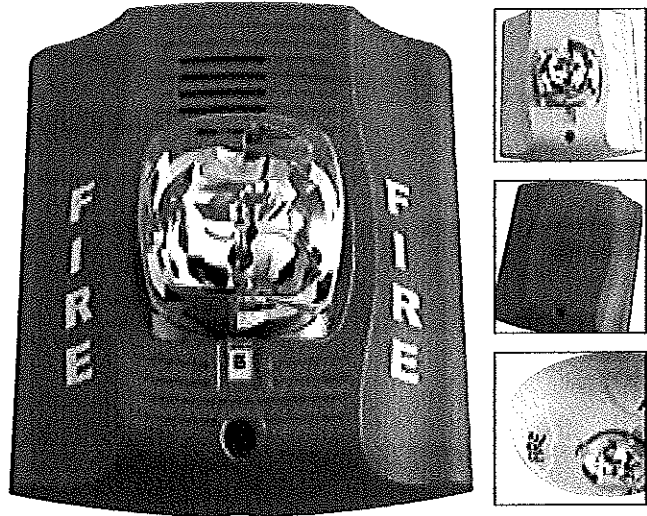
The SK-Monitor-2 is compatible with the following IntelliKnight FACP's:

5700  
5808  
5820XL



## Selectable-Output Horns, Strobes, and Horn Strobes

*SpectrAlert® Advance selectable-output horns, strobes,  
and horn strobes are rich with features guaranteed to  
cut installation times and maximize profits.*



**SPECTRAlert**  
**ADVANCE**  
FOR COMMERCIAL AND INDUSTRIAL APPLICATIONS

### Features

- Plug-in design with minimal intrusion into the back box
- Tamper-resistant construction
- Automatic selection of 12- or 24-volt operation at 15 and 15/75 candela
- Field-selectable candela settings on wall and ceiling units: 15, 15/75, 30, 75, 95, 110, 115, 135, 150, 177, and 185
- Horn rated at 88+ dBA at 16 volts
- Rotary switch for horn tone and three volume selections
- Universal mounting plate for wall and ceiling units
- Mounting plate shorting spring checks wiring continuity before device installation
- Electrically compatible with existing SpectrAlert products
- Compatible with MDL sync module

**The SpectrAlert Advance series** offers the most versatile and easy-to-use line of horns, strobes, and horn strobes in the industry. With white and red plastic housings, wall and ceiling mounting options, and plain and FIRE-printed devices, SpectrAlert Advance can meet virtually any application requirement.

Like the entire SpectrAlert Advance product line, horns, strobes, and horn strobes include a variety of features that increase their application versatility while simplifying installation. All devices feature plug-in designs with minimal intrusion into the back box, which make installations fast and foolproof while virtually eliminating costly and time-consuming ground faults. Furthermore, a universal mounting plate with an onboard shorting spring tests wiring continuity before the device is installed, protecting devices from damage.

In addition, field-selectable candela settings, automatic selection of 12- or 24-volt operation, and a rotary switch for horn tones with three volume selections enables installers to easily adapt devices to suit a wide range of application requirements.

### Agency Listings



S4011 (chimes, horn strobes, horns)  
S5512 (strobes)



3023572



MEA452-05-E



7125-1653186 (indoor strobes)  
7125-1653188 (horn strobes,  
chime strobes)  
7135-1653189 (horns, chimes)



# SpectrAlert Advance Specifications

## Architect/Engineer Specifications

### General

SpectrAlert Advance horns, strobes, and horn strobes shall mount to a standard 4 x 4 x 1½-inch back box, 4-inch octagon back box, or double-gang back box. Two-wire products shall also mount to a single-gang 2 x 4 x 1½-inch back box. A universal mounting plate shall be used for mounting ceiling and wall products. The notification appliance circuit wiring shall terminate at the universal mounting plate. Also, SpectrAlert Advance products, when used with the Sync-Circuit™ Module accessory, shall be powered from a non-coded notification appliance circuit output and shall operate on a nominal 12 or 24 volts. When used with the Sync-Circuit Module, 12-volt-rated notification appliance circuit outputs shall operate between 9 and 17.5 volts; 24-volt-rated notification appliance circuit outputs shall operate between 17 and 33 volts. Indoor SpectrAlert Advance products shall operate between 32 and 120 degrees Fahrenheit from a regulated DC or full-wave rectified unfiltered power supply. Strobes and horn strobes shall have field-selectable candela settings including 15, 15/75, 30, 75, 95, 110, 115, 135, 150, 177, and 185.

### Strobe

The strobe shall be a System Sensor SpectrAlert Advance Model \_\_\_\_\_ listed to UL 1971 and shall be approved for fire protective service. The strobe shall be wired as a primary-signaling notification appliance and comply with the Americans with Disabilities Act requirements for visible signaling appliances, flashing at 1 Hz over the strobe's entire operating voltage range. The strobe light shall consist of a xenon flash tube and associated lens/reflector system.

### Horn Strobe Combination

The horn strobe shall be a System Sensor SpectrAlert Advance Model \_\_\_\_\_ listed to UL 1971 and UL 464 and shall be approved for fire protective service. The horn strobe shall be wired as a primary-signaling notification appliance and comply with the Americans with Disabilities Act requirements for visible signaling appliances, flashing at 1 Hz over the strobe's entire operating voltage range. The strobe light shall consist of a xenon flash tube and associated lens/reflector system. The horn shall have three audibility options and an option to switch between a temporal three-pattern and a non-temporal (continuous) pattern. These options are set by a multiple position switch. On four-wire products, the strobe shall be powered independently of the sounder. The horn on horn strobe models shall operate on a coded or non-coded power supply.

### Synchronization Module

The module shall be a System Sensor Sync-Circuit model MDL listed to UL 464 and shall be approved for fire protective service. The module shall synchronize SpectrAlert strobes at 1 Hz and horns at temporal three. Also, while operating the strobes, the module shall silence the horns on horn strobe models over a single pair of wires. The module shall mount to a 4½ x 4½ x 2½-inch back box. The module shall also control two Style Y (class B) circuits or one Style Z (class A) circuit. The module shall synchronize multiple zones. Daisy chaining two or more synchronization modules together will synchronize all the zones they control. The module shall not operate on a coded power supply.

## Physical/Electrical Specifications

Standard Operating Temperature	32°F to 120°F (0°C to 49°C)
Humidity Range	10 to 93% non-condensing
Strobe Flash Rate	1 flash per second
Nominal Voltage	Regulated 12 DC/FWR or regulated 24 DC/FWR <sup>1</sup>
Operating Voltage Range <sup>2</sup>	8 to 17.5V (12V nominal) or 16 to 33V (24V nominal)
Input Terminal Wire Gauge	12 to 18 AWG
Ceiling-Mount Dimensions (including lens)	6.8" diameter x 2.5" high (173 mm diameter x 64 mm high)
Wall-Mount Dimensions (including lens)	5.6" L x 4.7" W x 2.5" D (142 mm L x 119 mm W x 64 mm D)
Horn Dimensions	5.6" L x 4.7" W x 1.3" D (142 mm L x 119 mm W x 33 mm D)
Wall-Mount Back Box Skirt Dimensions (BBS-2, BBSW-2)	5.9" L x 5.0" W x 2.2" D (151 mm L x 128 mm W x 56 mm D)
Ceiling-Mount Back Box Skirt Dimensions (BBSC-2, BBSCW-2)	7.1" diameter x 2.2" high (180 mm diameter x 57 mm high)
Wall-Mount Trim Ring Dimensions (sold as a 5 pack) (TR-HS, TRW-HS)	5.7" L x 4.8" W x 0.35" D (145 mm L x 122 mm W x 9 mm D)
Ceiling-Mount Trim Ring Dimensions (sold as a 5 pack) (TRC-HS, TRCW-HS)	6.9" diameter x 0.35" high (175 mm diameter x 9 mm high)

### Notes:

1. Full Wave Rectified (FWR) voltage is a non-regulated, time-varying power source that is used on some power supply and panel outputs.
2. P, S, PC, and SC products will operate at 12V nominal only for 15 and 15/75 cd.

## UL Current Draw Data

UL Max. Strobe Current Draw (mA RMS)						UL Max. Horn Current Draw (mA RMS)						
	Candela	8-17.5 Volts		16-33 Volts		Sound Pattern	dB	8-17.5 Volts		16-33 Volts		
		DC	FWR	DC	FWR			DC	FWR	DC	FWR	
Standard	15	123	128	66	71	Temporal	High	57	55	69	75	
Candela Range	15/75	142	148	77	81	Temporal	Medium	44	49	58	69	
	30	NA	NA	94	96	Temporal	Low	38	44	44	48	
	75	NA	NA	158	153	Non-temporal	High	57	56	69	75	
	95	NA	NA	181	176	Non-temporal	Medium	42	50	60	69	
	110	NA	NA	202	195	Non-temporal	Low	41	44	50	50	
	115	NA	NA	210	205	Coded	High	57	55	69	75	
High	135	NA	NA	228	207	Coded	Medium	44	51	56	69	
	Candela Range	150	NA	NA	246	220	Coded	Low	40	46	52	50
		177	NA	NA	281	251						
	185	NA	NA	286	258							

UL Max. Current Draw (mA RMS), 2-Wire Horn Strobe, Standard Candela Range (15-115 cd)										
DC Input	8-17.5 Volts				16-33 Volts					
	15	15/75	15	15/75	30	75	95	110	115	
Temporal High	137	147	79	90	107	176	194	212	218	
Temporal Medium	132	144	69	80	97	157	182	201	210	
Temporal Low	132	143	66	77	93	154	179	198	207	
Non-Temporal High	141	152	91	100	116	176	201	221	229	
Non-Temporal Medium	133	145	75	85	102	163	187	207	216	
Non-Temporal Low	131	144	68	79	96	156	182	201	210	
<b>FWR Input</b>										
Temporal High	136	155	88	97	112	168	190	210	218	
Temporal Medium	129	152	78	88	103	160	184	202	206	
Temporal Low	129	151	76	86	101	160	184	194	201	
Non-Temporal High	142	161	103	112	126	181	203	221	229	
Non-Temporal Medium	134	155	85	95	110	166	189	208	216	
Non-Temporal Low	132	154	80	90	105	161	184	202	211	

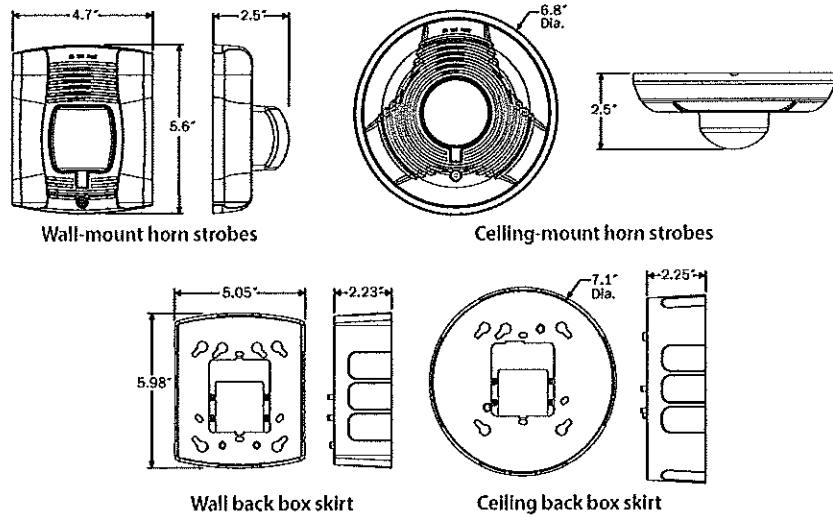
UL Max. Current Draw (mA RMS), 2-Wire Horn Strobe, High Candela Range (135-185 cd)										
DC Input	16-33 Volts				FWR Input	16-33 Volts				
	135	150	177	185		135	150	177	185	
Temporal High	245	259	290	297	Temporal High	215	231	258	265	
Temporal Medium	235	253	288	297	Temporal Medium	209	224	250	258	
Temporal Low	232	251	282	292	Temporal Low	207	221	248	256	
Non-Temporal High	255	270	303	309	Non-Temporal High	233	248	275	281	
Non-Temporal Medium	242	259	293	299	Non-Temporal Medium	219	232	262	267	
Non-Temporal Low	238	254	291	295	Non-Temporal Low	214	229	256	262	

## Horn Tones and Sound Output Data

Horn and Horn Strobe Output (dBA)										
Switch			8-17.5 Volts		16-33 Volts		24-Volt Nominal			
			DC	FWR	DC	FWR	Reverberant		Anechoic	
Position	Sound Pattern	dB	DC	FWR	DC	FWR	DC	FWR	DC	FWR
1	Temporal	High	78	78	84	84	88	88	99	98
2	Temporal	Medium	74	74	80	80	86	86	96	96
3	Temporal	Low	71	73	76	76	83	80	94	89
4	Non-Temporal	High	82	82	88	88	93	92	100	100
5	Non-Temporal	Medium	78	78	85	85	90	90	98	98
6	Non-Temporal	Low	75	75	81	81	88	84	96	92
7†	Coded	High	82	82	88	88	93	92	101	101
8†	Coded	Medium	78	78	85	85	90	90	97	98
9†	Coded	Low	75	75	81	81	88	85	96	92

†Settings 7, 8, and 9 are not available on 2-wire horn strobe.

## SpectrAlert Advance Dimensions



## SpectrAlert Advance Ordering Information

Model	Description
<b>Wall Horn Strobes</b>	
P2R*†	2-Wire Horn Strobe, Standard cd‡, Red
P2RH*	2-Wire Horn Strobe, High cd, Red
P2W*	2-Wire Horn Strobe, Standard cd, White
P2WH*	2-Wire Horn Strobe, High cd, White
P4R*	4-Wire Horn Strobe, Standard cd, Red
P4RH	4-Wire Horn Strobe, High cd, Red
P4W	4-Wire Horn Strobe, Standard cd, White
<b>Wall Strobes</b>	
SR*†	Strobe, Standard cd, Red
SRH*†	Strobe, High cd, Red
SW*	Strobe, Standard cd, White
SWH*	Strobe, High cd, White
<b>Ceiling Horn Strobes</b>	
PC2R*	2-Wire Horn Strobe, Standard cd, Red
PC2RH	2-Wire Horn Strobe, High cd, Red
PC2W*†	2-Wire Horn Strobe, Standard cd, White
PC2WH*	2-Wire Horn Strobe, High cd, White
PC4R	4-Wire Horn Strobe, Standard cd, Red
PC4RH	4-Wire Horn Strobe, High cd, Red
PC4W	4-Wire Horn Strobe, Standard cd, White

Model	Description
<b>Ceiling Strobes</b>	
SCR	Strobe, Standard cd, Red
SCRH	Strobe, High cd, Red
SCW*	Strobe, Standard cd, White
SCWH	Strobe, High cd, White
<b>Horns</b>	
HR	Horn, Red
HW	Horn, White
<b>Accessories</b>	
BBS-2	Back Box Skirt, Wall, Red
BBSW-2	Back Box Skirt, Wall, White
BBSC-2	Back Box Skirt, Ceiling, Red
BBSCW-2	Back Box Skirt, Ceiling, White
TR-HS	Trim Ring, Wall, Red
TRW-HS	Trim Ring, Wall, White
TRC-HS	Trim Ring, Ceiling, Red
TRCW-HS	Trim Ring, Ceiling, White

### Notes:

\* Add "-P" to model number for plain housing (no "FIRE" marking on cover), e.g., P2R-P.

† Add "-SP" to model number for "FUEGO" marking on cover, e.g., P2R-SP.

‡ "Standard cd" refers to strobes that include 15, 15/75, 30, 75, 95, 110, and 115 candela settings. "High cd" refers to strobes that include 135, 150, 177, and 185 candela settings.



3825 Ohio Avenue • St. Charles, IL 60174  
Phone: 800-SENSOR2 • Fax: 630-377-6495

©2009 System Sensor  
Product specifications subject to change without notice. Visit [systemsensor.com](http://systemsensor.com) for current product information, including the latest version of this data sheet.  
A05-0395-007 - 4/09 - 42132