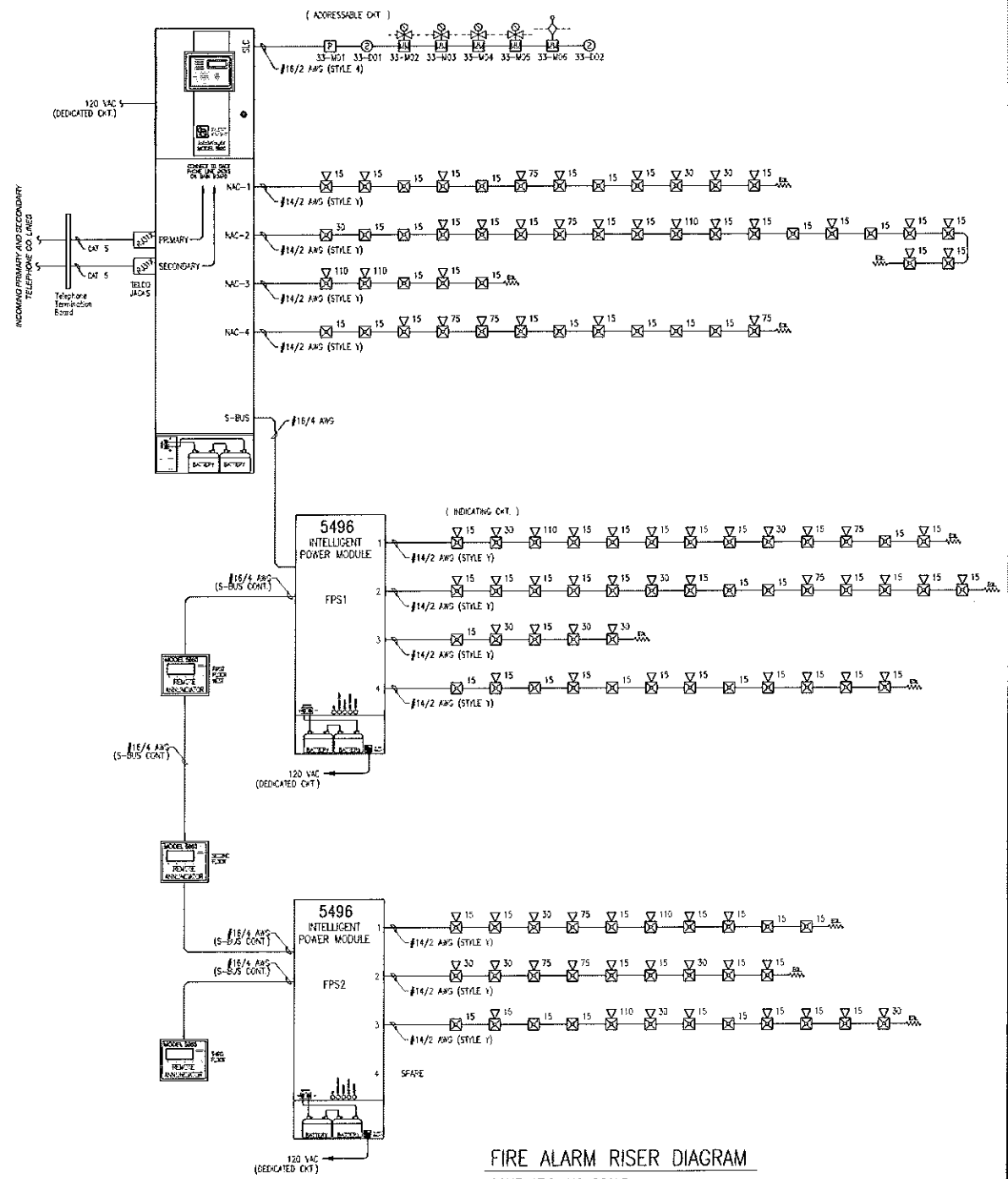


SECOND FLOOR FIRE ALARM PLAN  
SCALE: 1/8"=1'-0"



FIRE ALARM RISER DIAGRAM  
SCHEMATIC: NO SCALE

REVISION	DESCRIPTION	DATE
0	ISSUED FOR REVIEW & APPROVAL	2/16/2013
1	REVISED PER CLIENT REVIEW	3/6/2013

**MAINE STATE SECURITY ALARMS**  
 Phone: (207) 247-4371  
 Toll Free: (800) 273-4371  
 Small Enough To Care - Large Enough To Scape  
 Family owned and operated - a division of L-Nebraska, Inc.



OXFORD STREET  
 PORTLAND, MAINE 04101  
 SECOND FLOOR FIRE ALARM PLAN

EXAMIN	JFB UNICAD JOB #13065
CHECKED	KEANE B HAYS NCEET IV 50495
DATE	2/13/2013
REVISION	1
SCALE	1/8"=1'-0"

