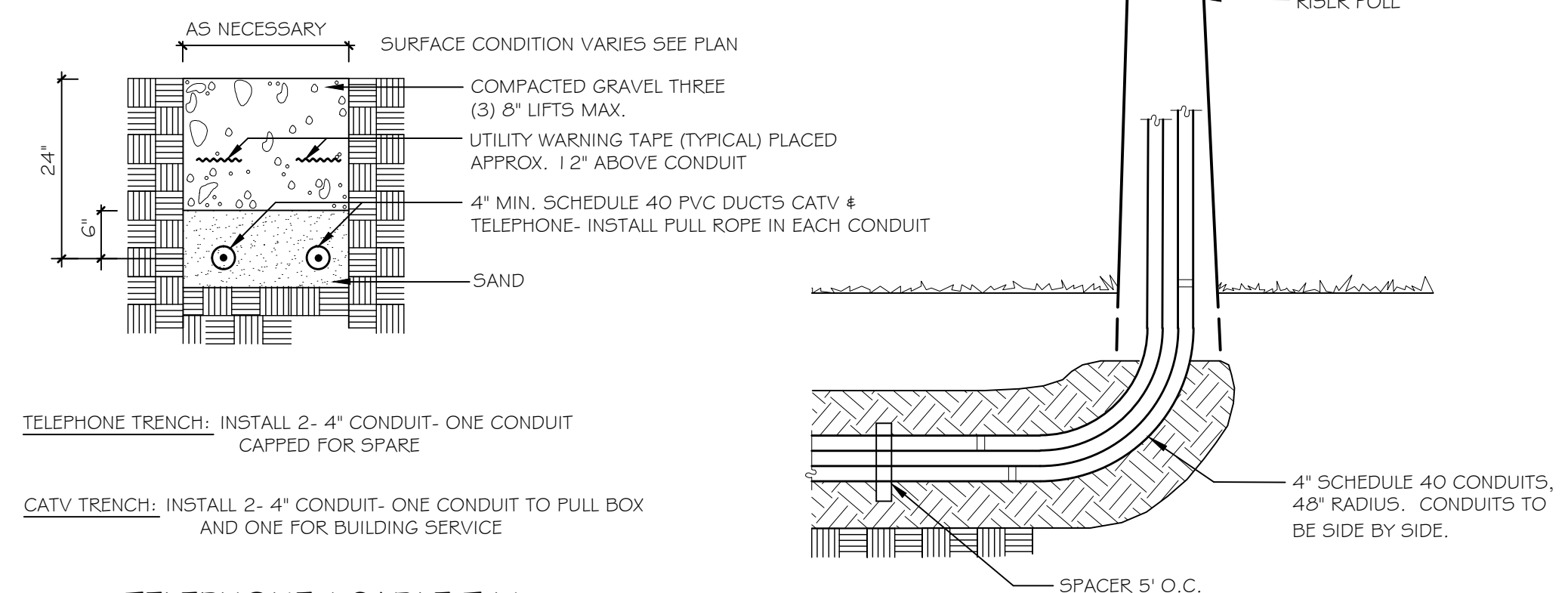


16' X 24' X 1/4' GALVANIZED STEEL PLATE SEE NOTE 11

NOTE: INSTALL RISER FOR CATV PER TIME-WARNER REQUIREMENTS. CONTRACTOR RESPONSIBLE FOR COORDINATION.



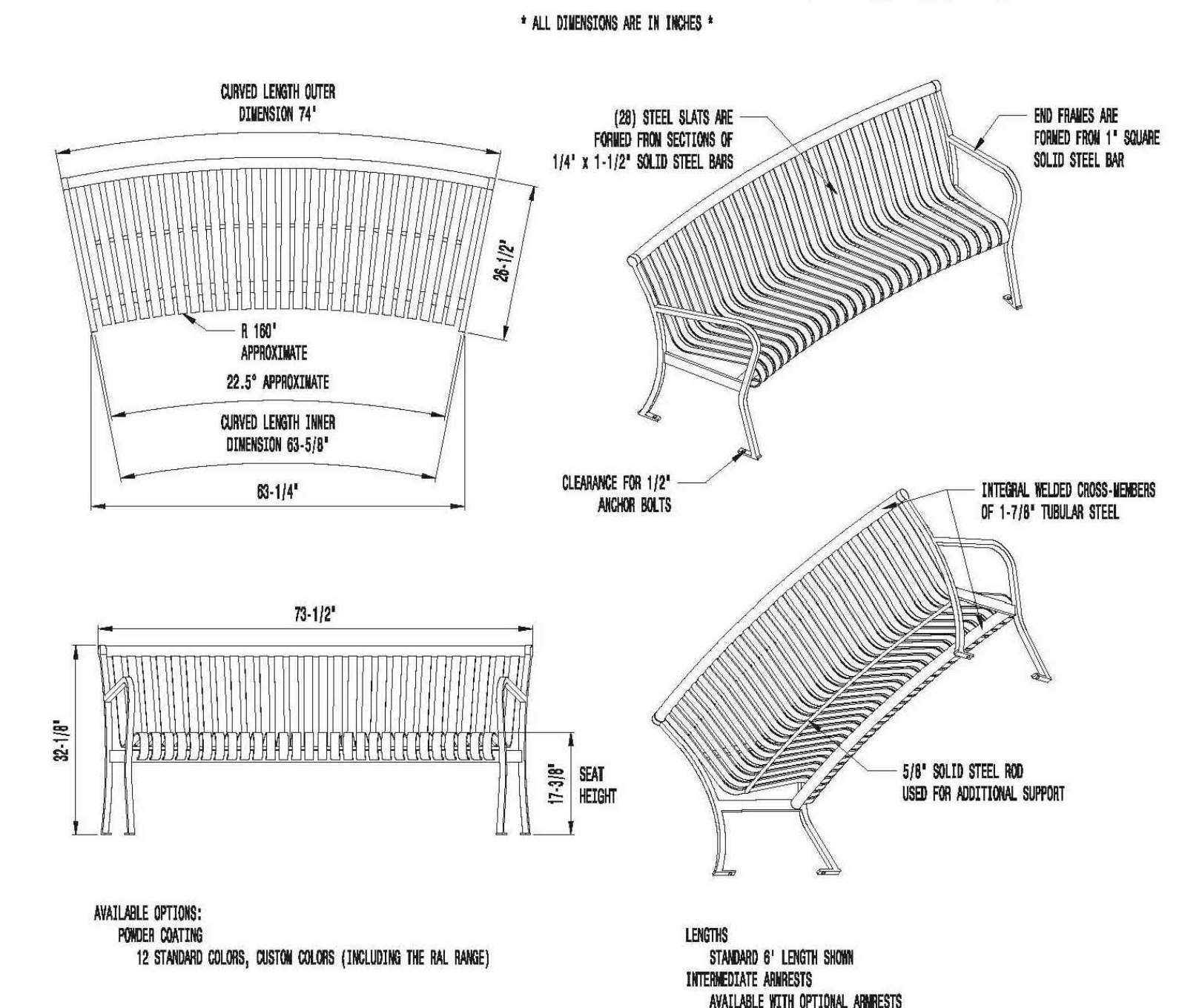
TELEPHONE TRENCH: INSTALL 2- 4" CONDUIT- ONE CONDUIT CAPPED FOR SPARE

CATV TRENCH: INSTALL 2- 4" CONDUIT- ONE CONDUIT TO PULL BOX AND ONE FOR BUILDING SERVICE

3 TELEPHONE / CABLE T.V. NOT TO SCALE

VICTOR STANLEY, INC.® Manufacturers of Quality Site Furnishings since 1962.

P.O. DRAWER 330 - DUNKIRK, ND 58734 USA  
TOLL FREE: (800) 368-2573 (USA & CANADA)  
TEL (301) 855-8800 - FAX (410) 287-7879  
WEB SITE: HTTP://WWW.VICTORSTANLEY.COM

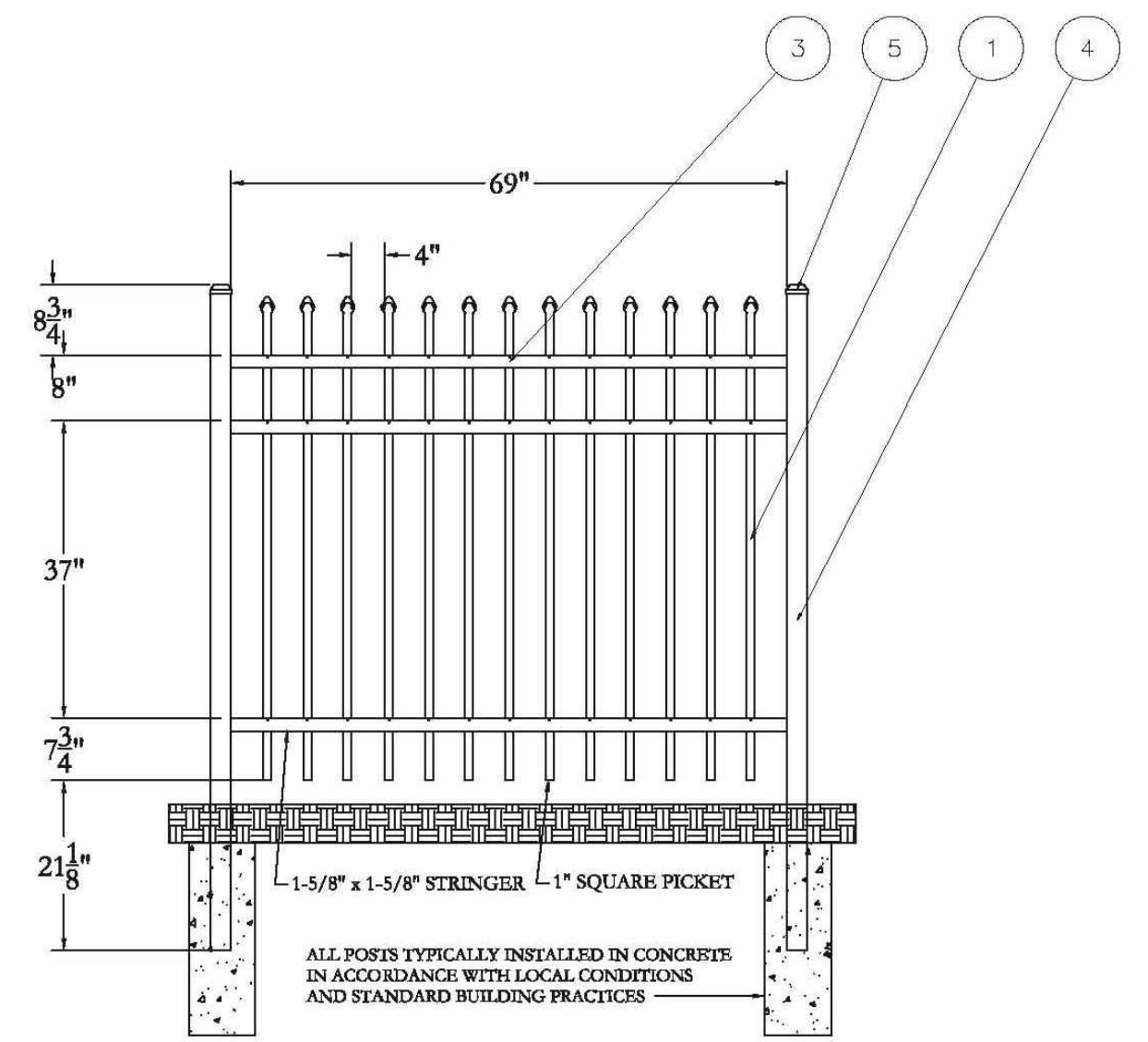


AVAILABLE OPTIONS:  
POWDER COATING  
12 STANDARD COLORS, CUSTOM COLORS (INCLUDING THE PAL RANGE)

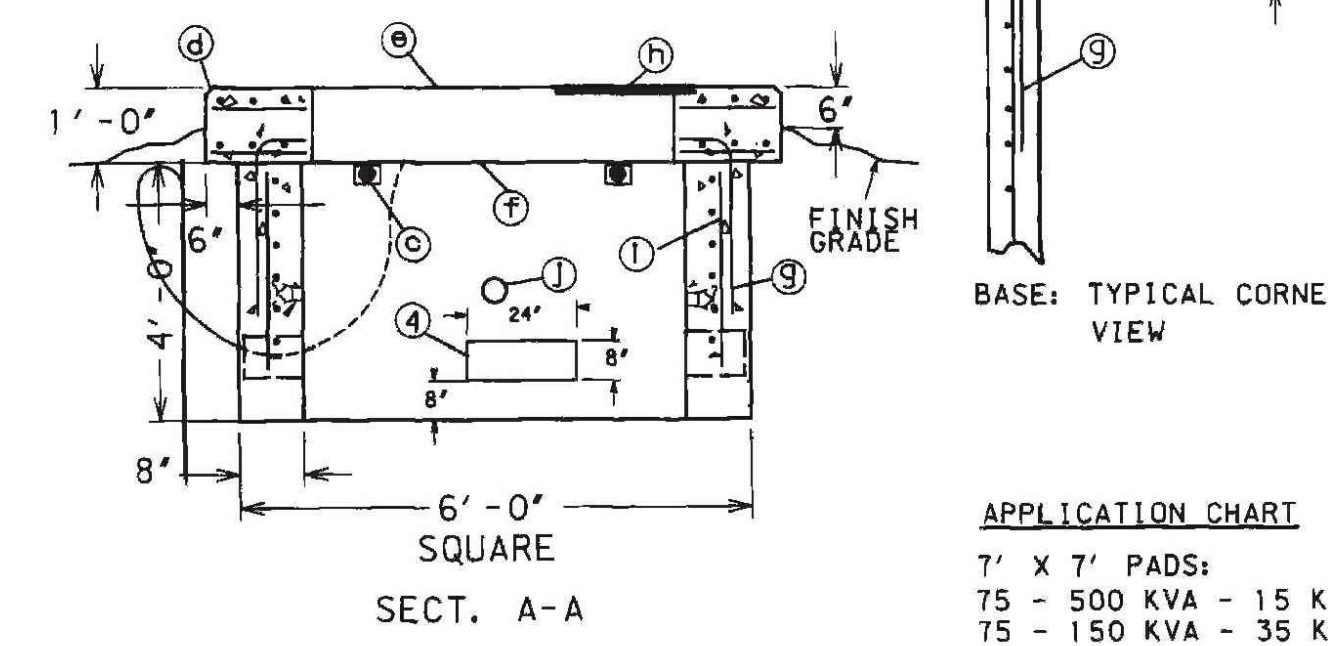
- NOTES:
- DRAWINGS NOT TO SCALE, DO NOT SCALE DRAWINGS.
  - ALL FABRICATED METAL COMPONENTS ARE STEEL, SHOTBLASTED, ETCHED, PHOSPHATIZED, PREHEATED, AND ELECTROSTATICALLY POWDER-COATED WITH T.E.C. POLYESTER POWDER COATINGS. PRODUCTS ARE FULLY CLEANED AND PREHEATED, PREHEATED AND COATED WHILE HOT TO FILL CREVICES AND BUILD COATING FILM. COATED PARTS ARE THEN FULLY CURED TO COATING MANUFACTURER'S SPECIFICATIONS. THE THICKNESS OF THE RESULTING FINISH AVERAGES 8-10 MILS (200-250 MICRONS).
  - IT IS NOT RECOMMENDED TO LOCATE ANCHOR BOLTS UNTIL BENCH IS IN PLACE. THIS VICTOR STANLEY, INC. PRODUCT MUST BE PERMANENTLY ATTACHED TO THE GROUND. CONSULT YOUR LOCAL CODES FOR REGULATIONS.
  - ANCHOR BOLTS NOT PROVIDED BY VICTOR STANLEY, INC.
  - FOR HIGH SALT AMBIENT CLIMATES, HOT DIP GALVANIZING BEFORE POWDER COATING IS AVAILABLE. SEE WRITTEN SPECIFICATIONS FOR DETAILS.
  - ALL SPECIFICATIONS ARE SUBJECT TO CHANGE. CONTACT MANUFACTURER FOR DETAILS.
  - THIS PRODUCT IS SHIPPED PARTIALLY UNASSEMBLED.

6 BENCH DETAIL NOT TO SCALE

FENCE PARTS		
Name	Qty	Item
101-60 PICKET	13	1
70-1/2" - 13 HOLE IND. STRINGER	3	3
2-1/2" POST	2	4
2-1/2" ALUMINUM POST CAP	2	5



7 5'-HT. ORNAMENTAL FENCE DETAIL NOT TO SCALE



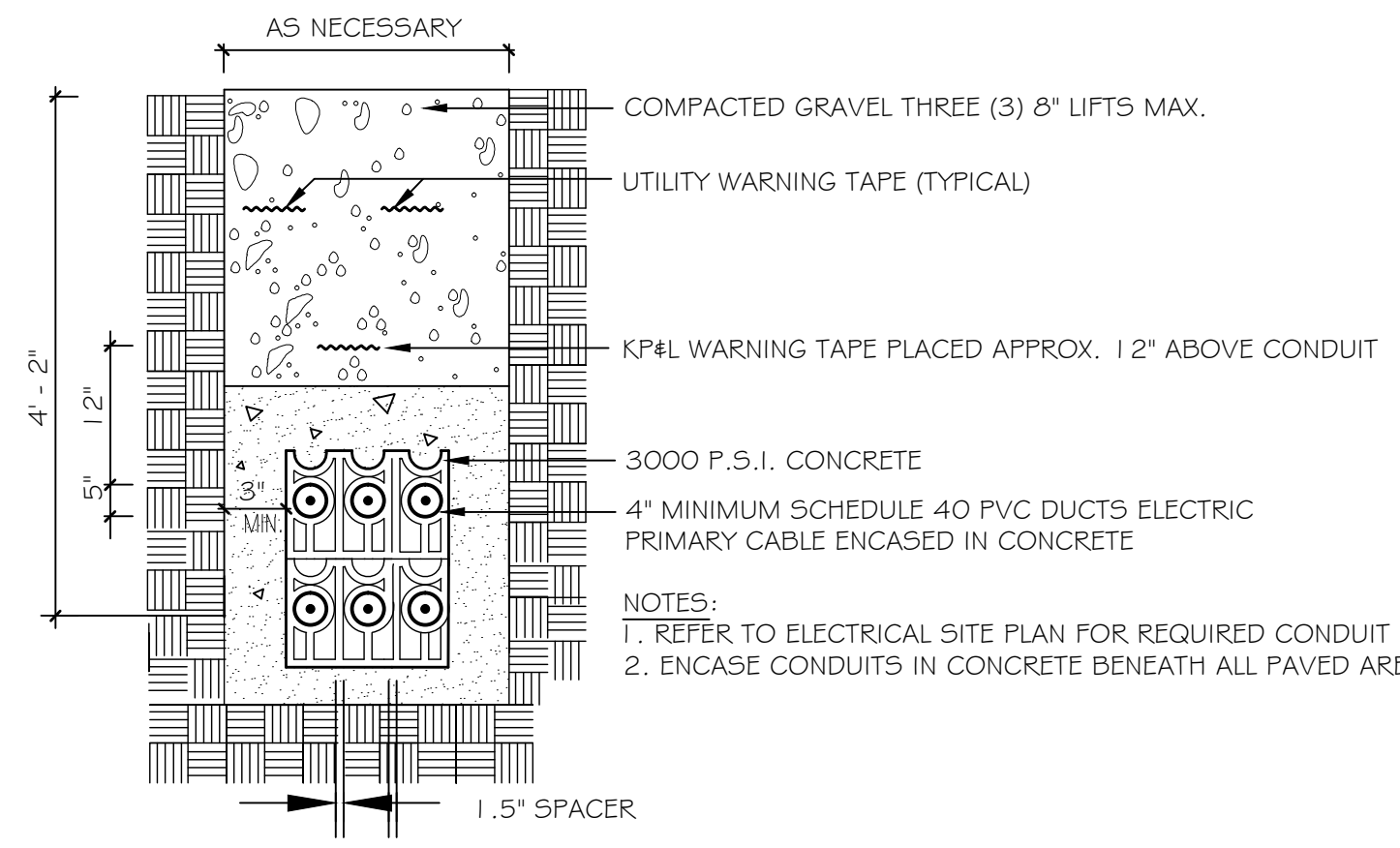
BASE: TYPICAL CORNER VIEW

APPLICATION CHART

7' X 7' PADS:  
75 - 500 KVA - 15 KV  
75 - 150 KVA - 35 KV

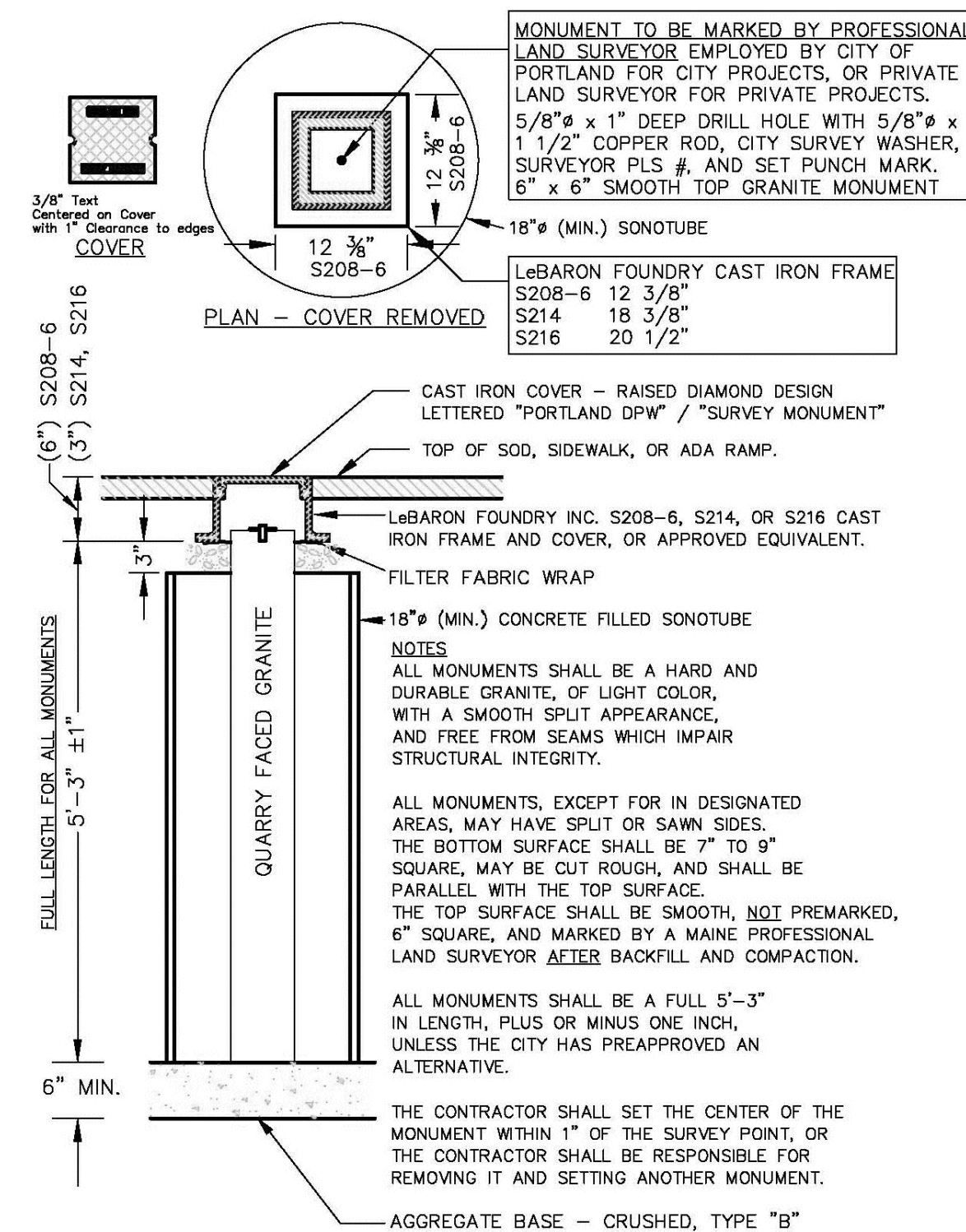
- NOTES:
- FRONT denotes the side on which the access doors are located. The concrete base shall be set on a suitable gravel base and located so the FRONT is accessible by truck and suitably protected from pile and traffic damage.
  - Before installing or requiring any active drainage structure (e.g. drain pipes) into the foundation or pad, the contractor, CMP Supervisor, or CMP Distribution Engineer must contact Central Maine Power Company's Environmental Services Department at 623-3521 ext. 3479 to request a site inspection.
  - Finish grade shall be graded in such manner to allow surface water to flow away from the pad.
  - Provide 8" x 24" cable holes (bond out) 8' up the wall from the base. Locate one cable hole per wall, more if necessary. Line up cable holes with trench.
  - Conduits entering concrete structures shall be set back from the inside wall 1 to 2 inches and the space within the knockout surrounding the conduits completely filled with mortar to prevent soil from entering structure. Inside the structure the mortar shall be finished and beveled from the conduit ends to the inside wall face to cover and smooth the edges of the knockouts.
  - A 3/4" x 8' galvanized ground rod is to be installed six inches in front of the left FRONT corner of the foundation. The top of the ground rod is to be 6 inches below final grade.
  - A ground wire shall be installed from the ground rod through the cable hole at the bottom of the pad. 10 feet of ground wire shall be provided so that it can be installed through the two grounding lugs and connected to the neutral space.
  - Concrete compressive strength shall be 4000 PSI @ 28 days. For cast-in-place early high strength may be used with a minimum of seven day cure time.
  - Reinforcing steel to have: FY = 60 KSI.
  - For precast units: The precast supplier shall provide lifting lugs in the slab (foundation) and base. The precast supplier shall assemble the slab to the base prior to shipping to the site to ensure that the slab and base fit properly (with no rocking of the slab evident).
  - A 16' x 24' x 1/4" galvanized steel plate to cover a portion of the cable hole when the transformer does not completely cover it. Cut the steel plate to fit, if necessary.
- #5 Rebar evenly spaced each way top to bottom.
  - 4" corner diagonal rebar 2'-0" long top and bottom.
  - 4" x 4" x 1/2" angle 6' long with 2-3/4" diameter expansion anchors typical - 4 pieces (two piece precast only).
  - Chamfer typical
  - 2" concrete cover over top rebar.
  - 3" concrete cover over bottom rebar.
  - #5 L-Bar @ 12" (cast-in-place only)
  - 16' x 24' x 1/4" galvanized steel plate. MID#600621790
  - #5 Rebar on 12" centers.
  - Pulling eye insert, for use with national course thread eye-bolt, (Richmond LCB-1 or equivalent). Located opposite each cable hole and 2' (two feet) from the bottom.
  - All rebar ends to be covered by 1' of concrete, minimum.

1 7' X 7' TRANSFORMER PAD (75 - 500 KVA) NOT TO SCALE



NOTES:  
1. REFER TO ELECTRICAL SITE PLAN FOR REQUIRED CONDUIT BANK  
2. ENCASE CONDUITS IN CONCRETE BENEATH ALL PAVED AREAS

2 ELECTRIC TRENCH NOT TO SCALE



4 CITY OF PORTLAND GRANITE MONUMENT DETAIL NOT TO SCALE

5 DETAIL NOT USED NOT TO SCALE

Prepared For:  
Owner and Applicant:  
SCHLOTTERBECK BLOCK L.L.C.  
77 Spruce Street  
Portland, Maine 04101  
Tel.: 207-650-8979

Prepared By:  
MITCHELL & ASSOCIATES  
Landscape Architects  
70 Center Street  
Portland, Maine 04101  
Tel.: 207-774-4427

RANSOM CONSULTING ENGINEERS  
400 Commercial Street # 4  
Portland, Maine 04101  
Phone: 207-772-2891

GODUTI-THOMAS ARCHITECTS  
44 Oak Street # 2  
Portland, Maine 04101  
Phone: 207-775-3184

The Schlotterbeck Block  
Portland, Maine  
117 Preble Street

Date: OCTOBER 5, 2015

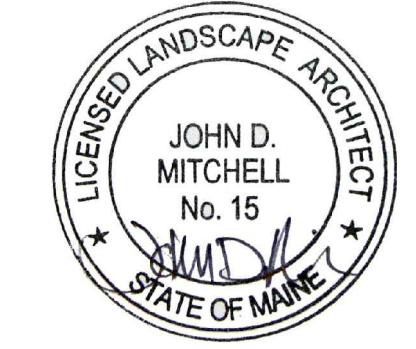
Issued For:

Revisions:

Title: SITE DETAILS

Scale: AS SHOWN

North: Sheet No.: L6.3



PERMITTING SET -- NOT FOR CONSTRUCTION

I:\Projects\2015\117 Preble Street\15-05-DETAILS.dwg, mjb, 10/05/2015, 1:51 PM