

project name

Schlotterbeck Block

117 Preble Street
Portland, Maine

Schlotterbeck Block LLC
 goduti/thomas architects

44 oak st.

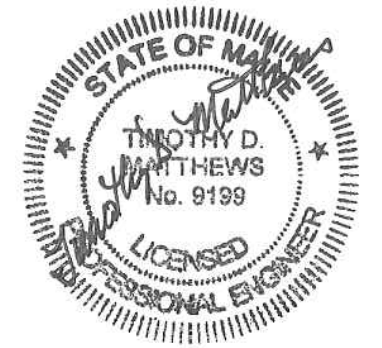
portland, maine 04101

ph. 207-775-3184

fax 207-774-0846

SWIFTCURRENT

Engineering Services
10 Forest Falls Dr. Unit 4B
Yarmouth, ME 04096
Tel: (207) 847-9280



NOTES:

1. SEE E0.0 FOR LEGEND, ABBREVIATIONS AND GENERAL NOTES.

KEYED NOTES:

① FURNISH JUNCTION BOX FOR FIXTURE TYPE E. COORDINATE LOCATION WITH ARCHITECTURAL DETAILS. SEE LIGHTING SCHEDULE ON DRAWING E2.3 FOR FIXTURE TYPE E NOTE.

revisions

date
MARCH 16th 2016

sheet title

ELECTRICAL LIGHTING & FIRE ALARM PLAN - LOWER LEVEL & FIRST FLOOR PLAN

scale
AS NOTED

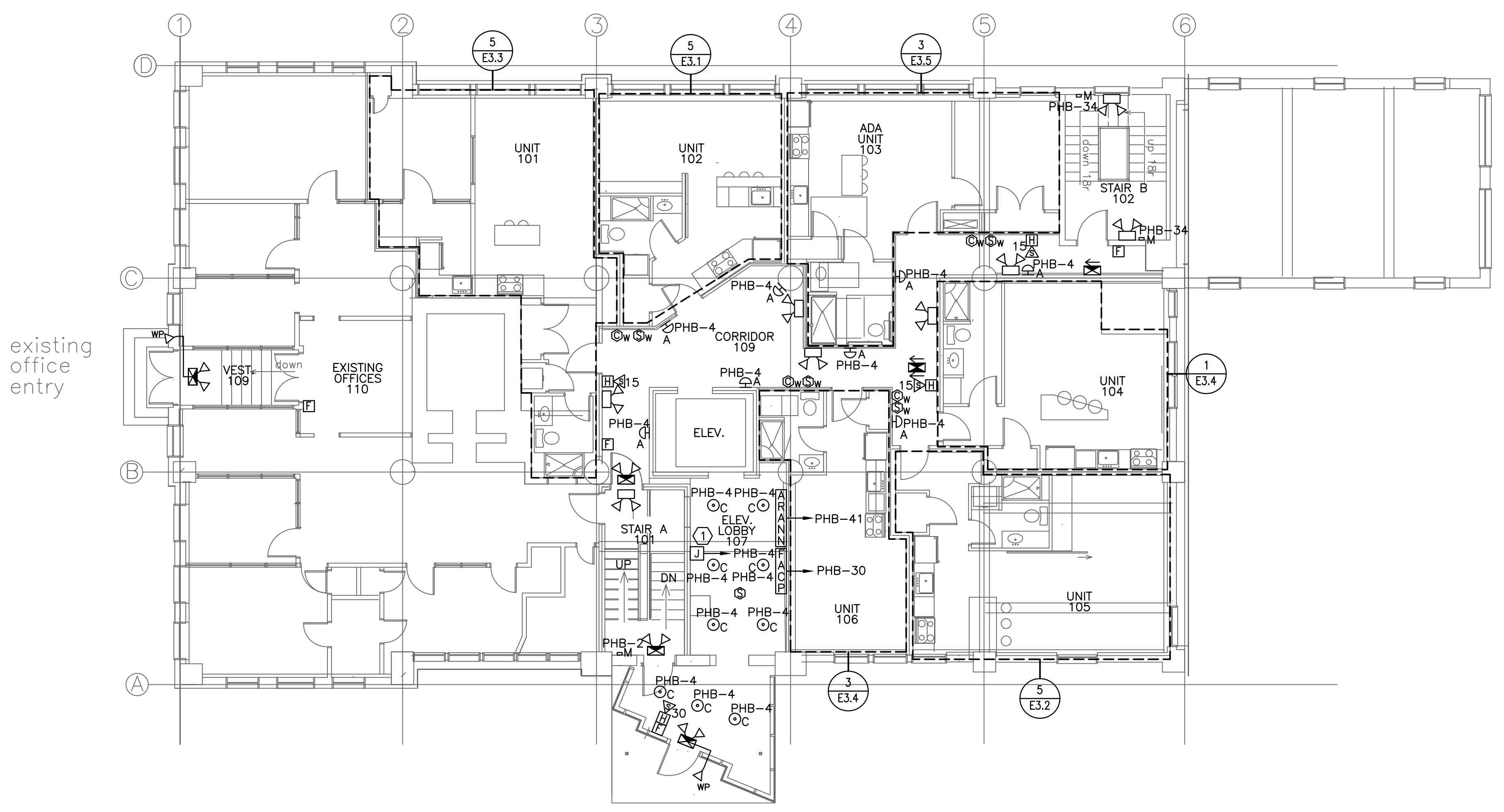
drawn by
JMD

project number
shlotterbeck

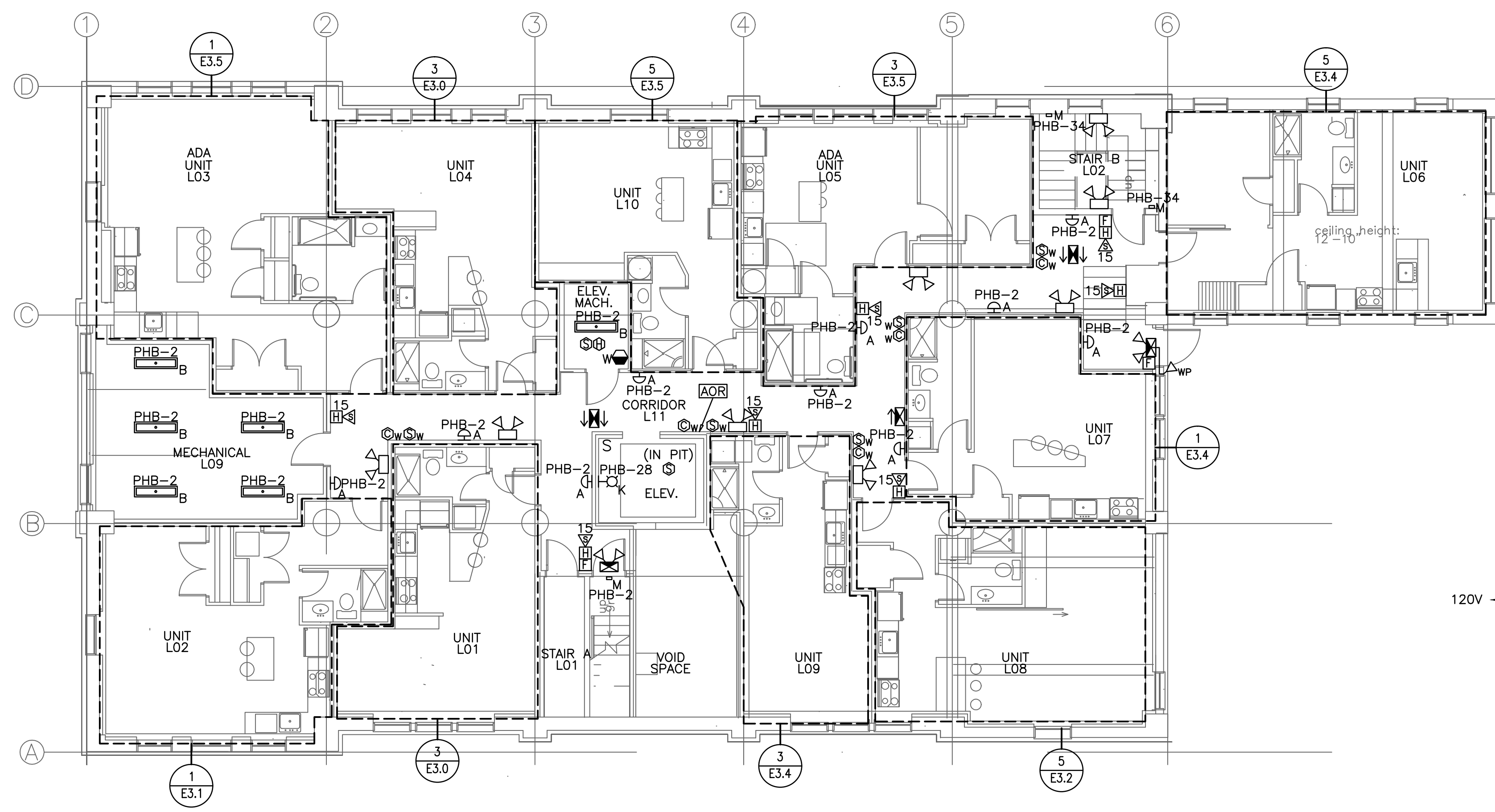
sheet number

E2.0

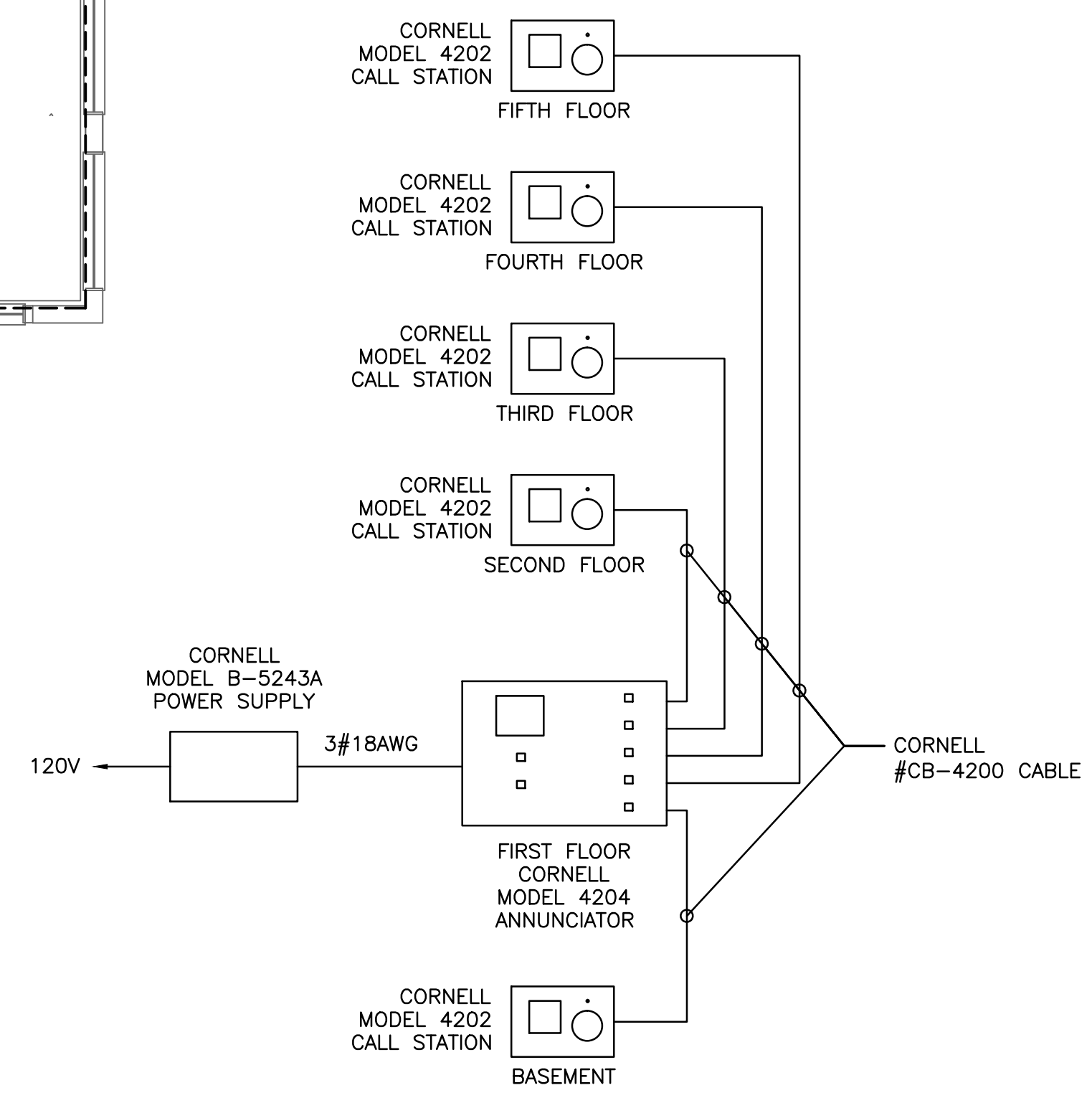
ISSUED FOR CONSTRUCTION
3-16-2016



② ELECTRICAL LIGHTING & FIRE ALARM PLAN - FIRST FLOOR
SCALE: 1/8"=1'



① ELECTRICAL LIGHTING & FIRE ALARM PLAN - LOWER LEVEL
SCALE: 1/8"=1'



③ AREA OF REFUGE SYSTEM RISER
SCALE: N.T.S.