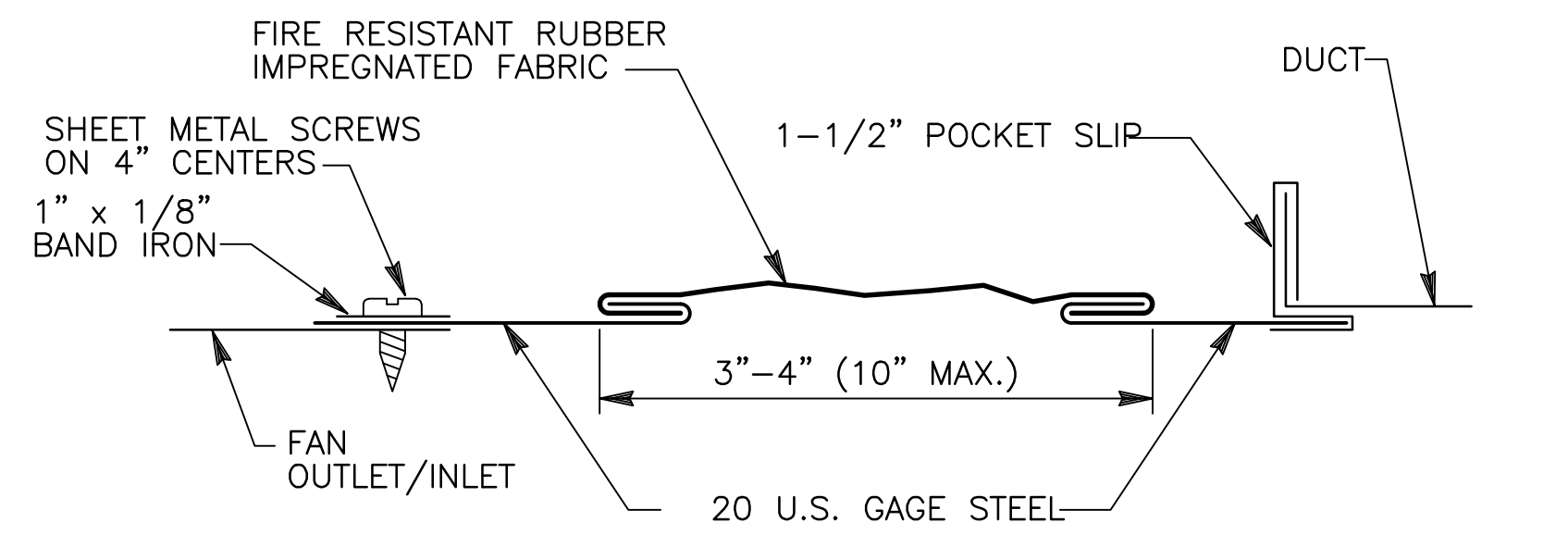
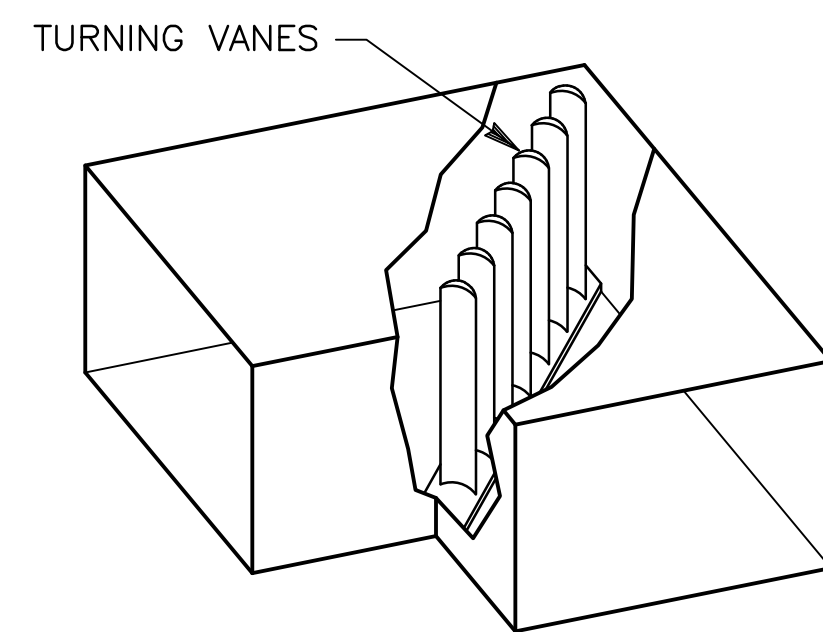


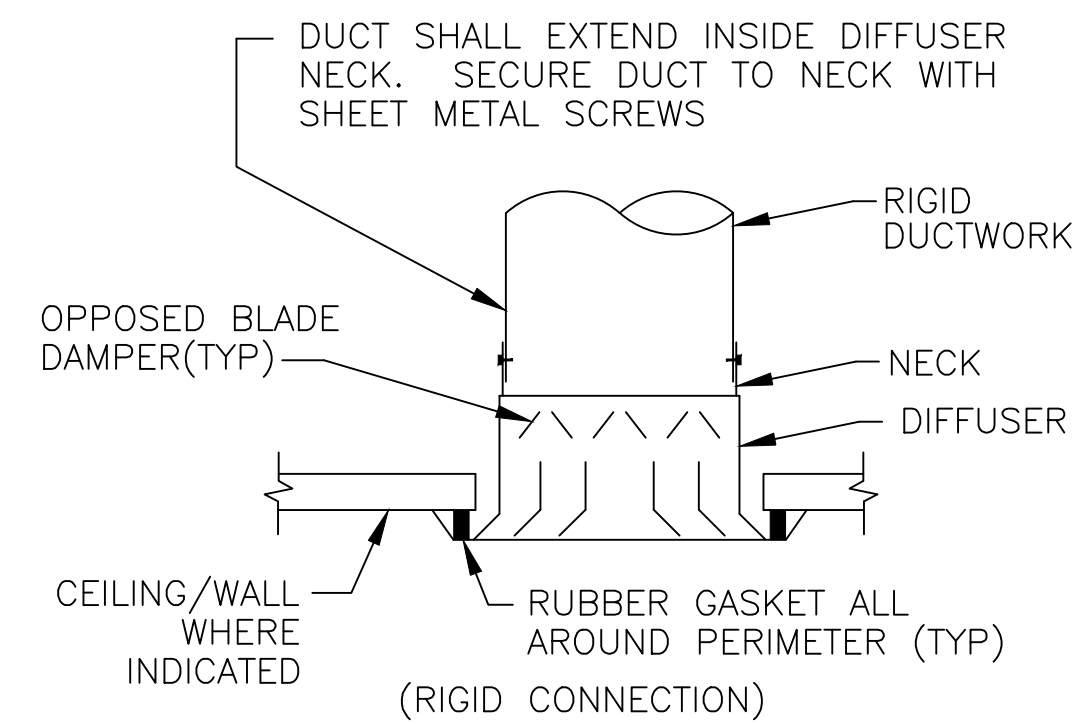
COPYRIGHT: Reuse or reproduction of the contents of this document is not permitted without written permission of Ripcord Engineering, Inc.



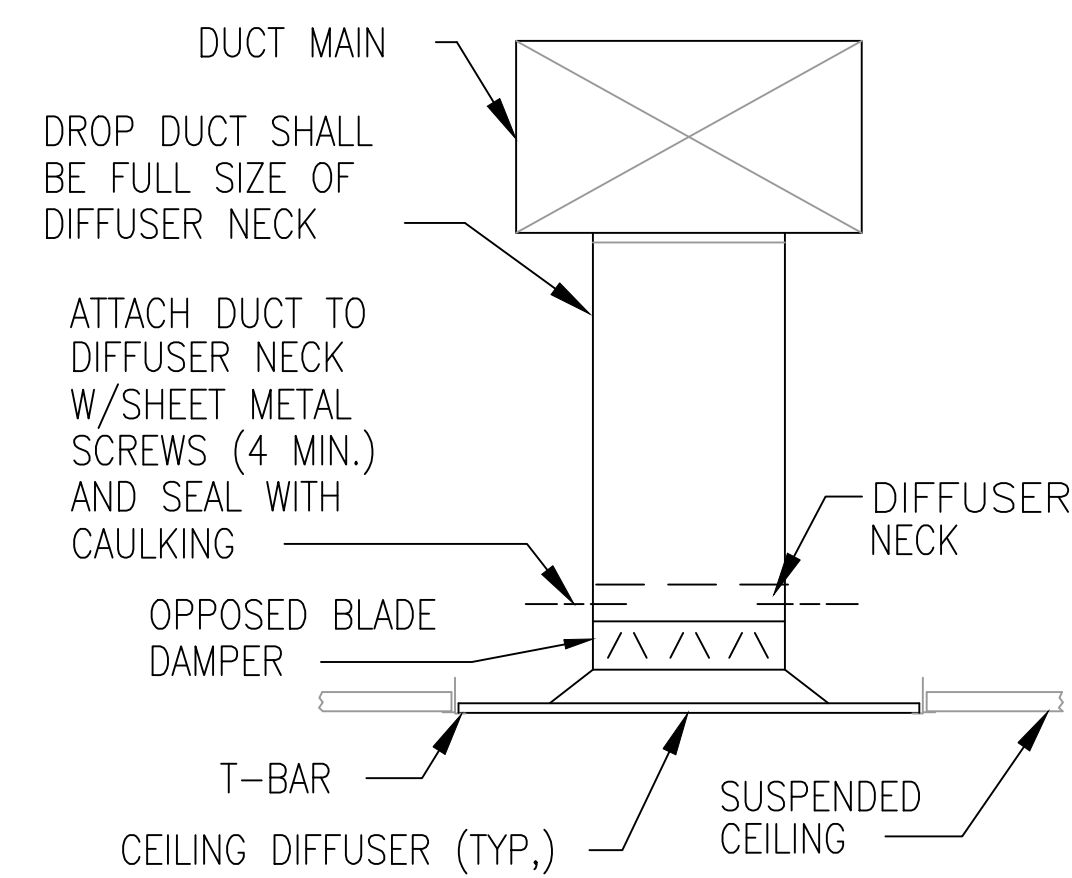
TYPICAL FLEXIBLE CONNECTION DETAIL (8)
NO SCALE



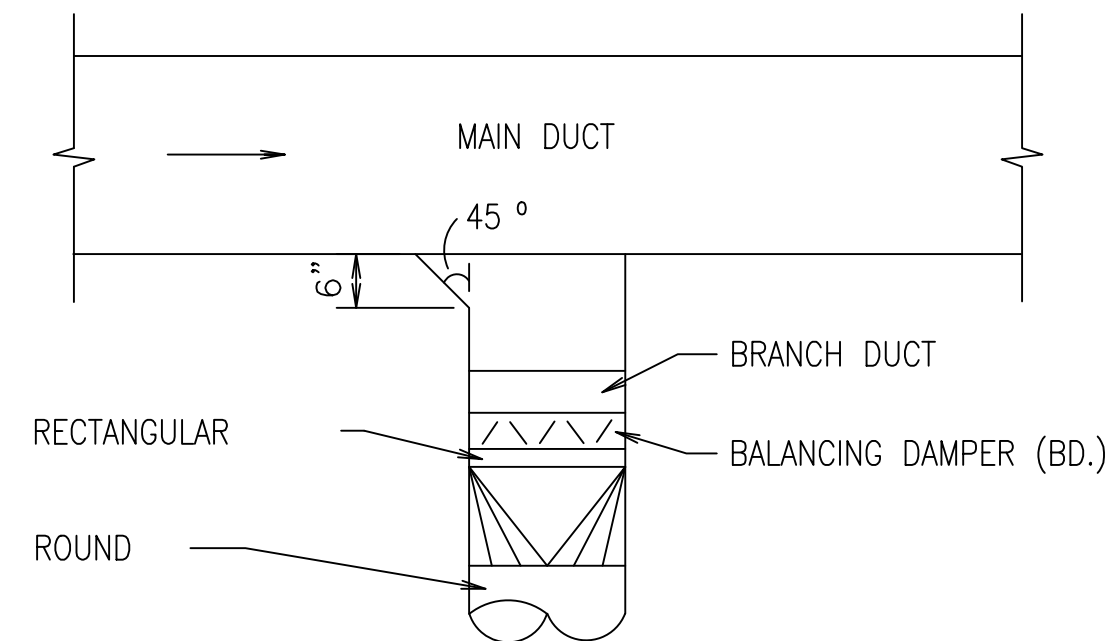
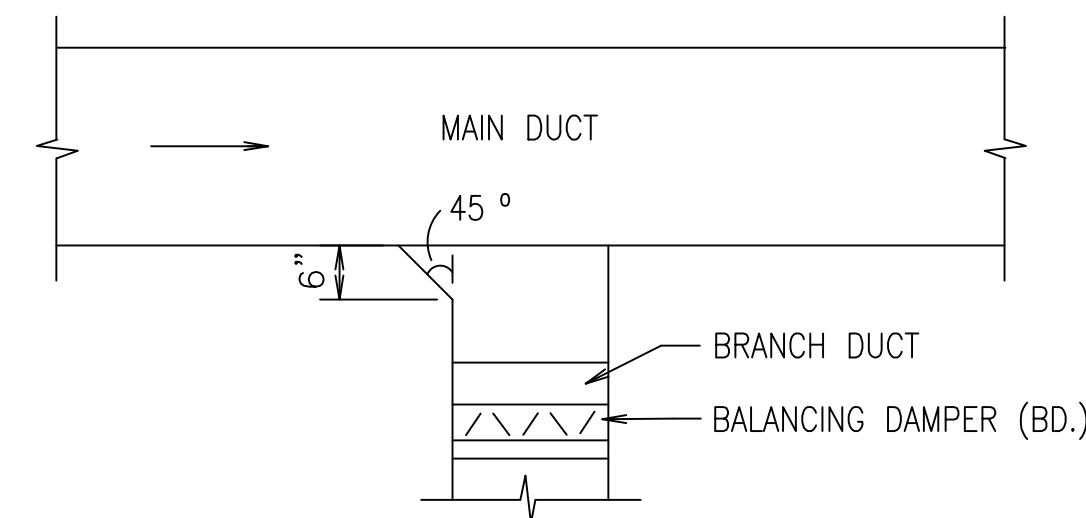
TYPICAL ELBOW DETAIL (7)
NO SCALE



DUCT TO GRILLE/REGISTER CONNECTION (6)
NO SCALE (TYP. FOR ALL GRILLE/REGISTERS)

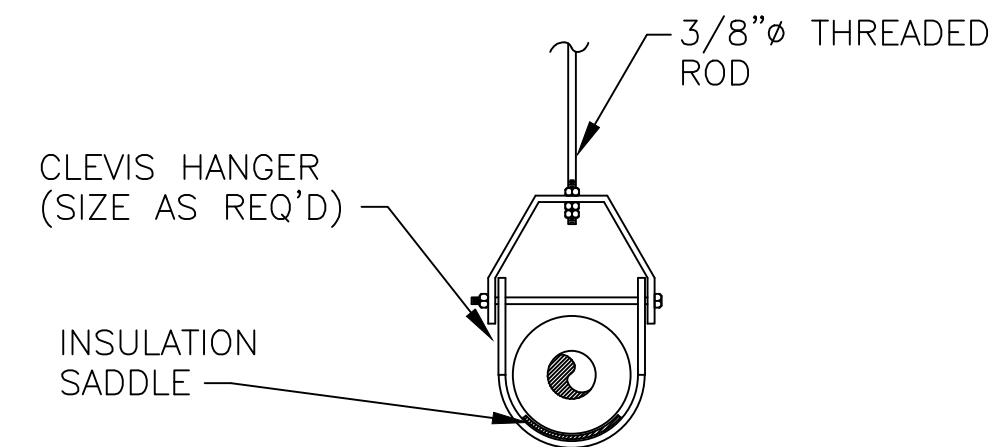


DIFFUSER CONNECTION DETAIL (5)
NO SCALE

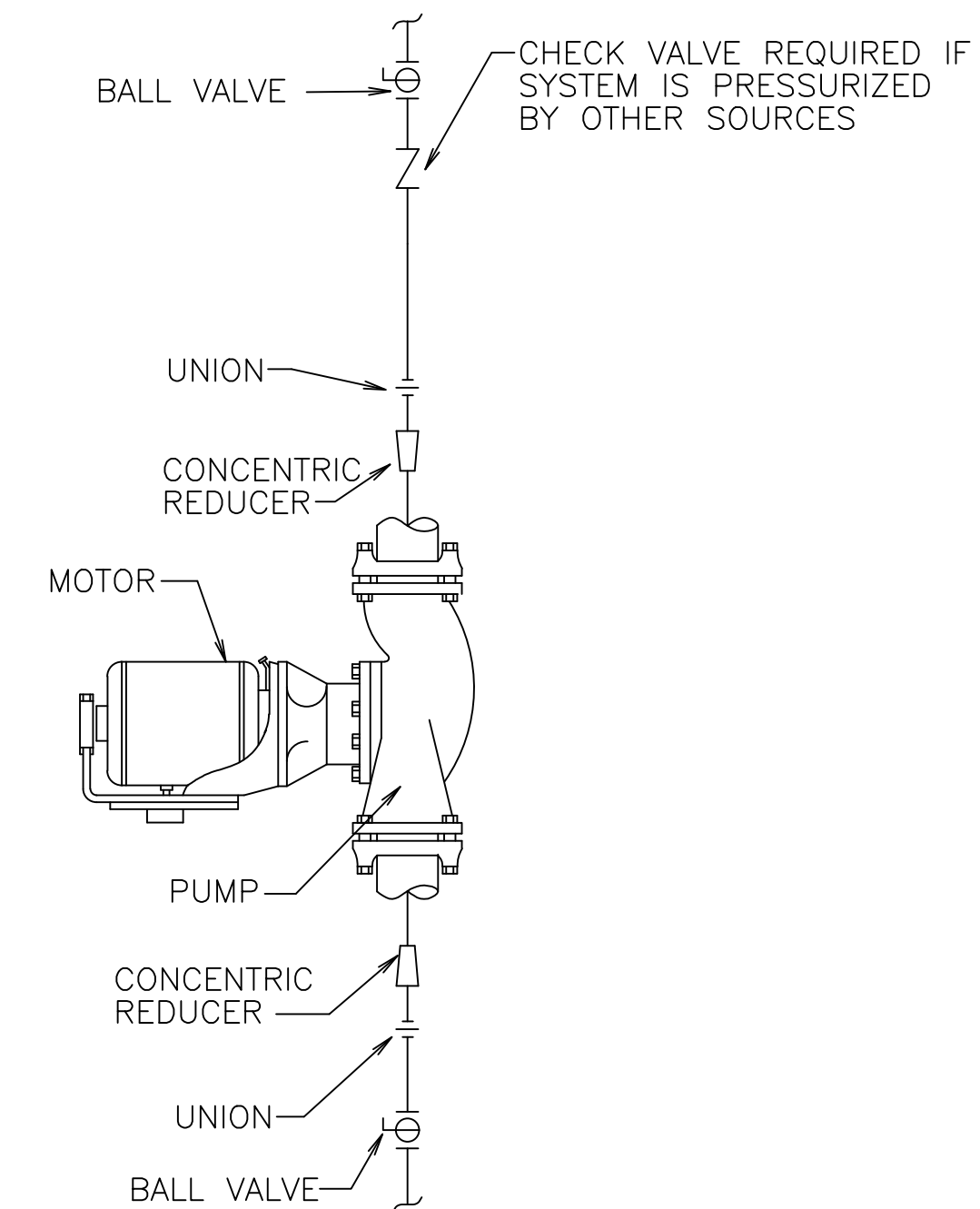


BALANCING DAMPERS SHALL BE PROVIDED AS SHOWN IN ADDITION TO THOSE INDICATED ON THE PLANS.

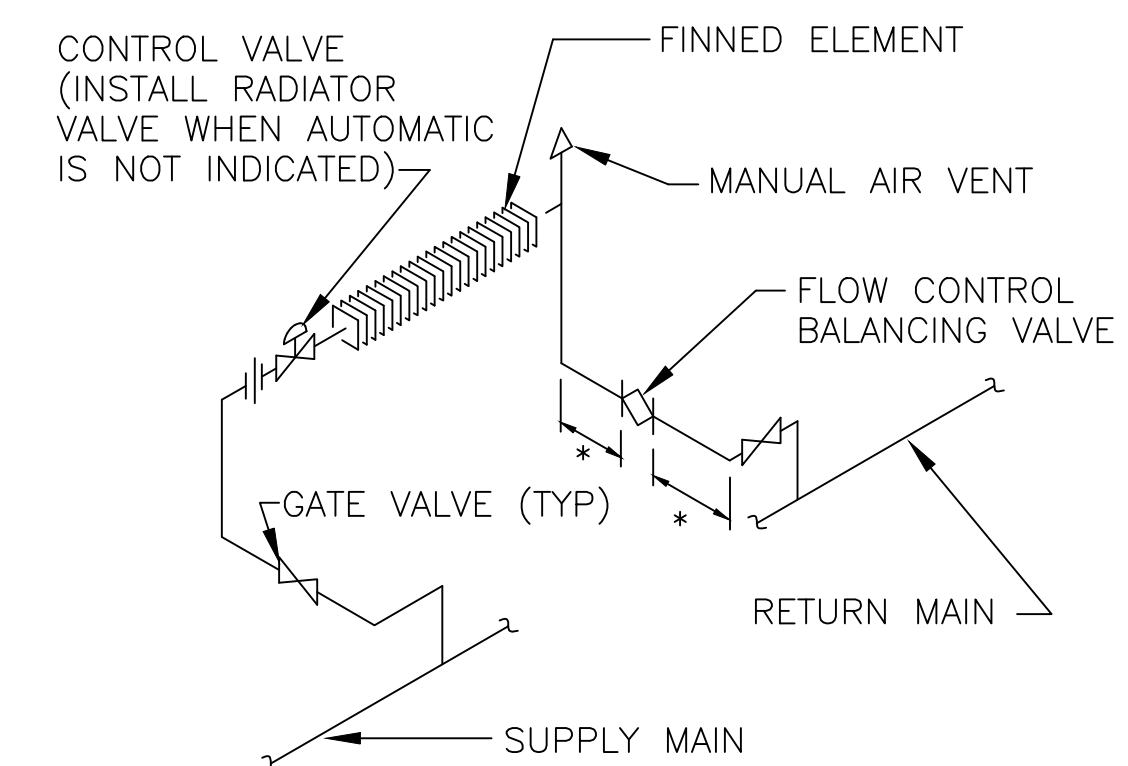
BRANCH CONNECTION DETAILS (4)
NO SCALE



SINGLE PIPE RUN (3)
NO SCALE



INLINE CENTRIFUGAL PUMP (2)
NO SCALE



** LOCATE AIR VENT VALVES ABOVE CEILING EXCEPT WHERE INACCESSABLE OR EXPOSED PIPING LOCATE IN UNIT CABINET

* THE FLOW CONTROL BALANCING VALVES SHALL BE INSTALLED BY THE CONTRACTOR CONFORMING WITH VALVE MFR'S RECOMMENDED SPACING UP/DOWNSTREAM FROM PIPE CHANGES IN DIRECTION AND/OR OTHER VALVES/COMPONENTS IN THE PIPING.

UP FEED HOT WATER FINTUBE PIPING DETAIL (1)
NO SCALE