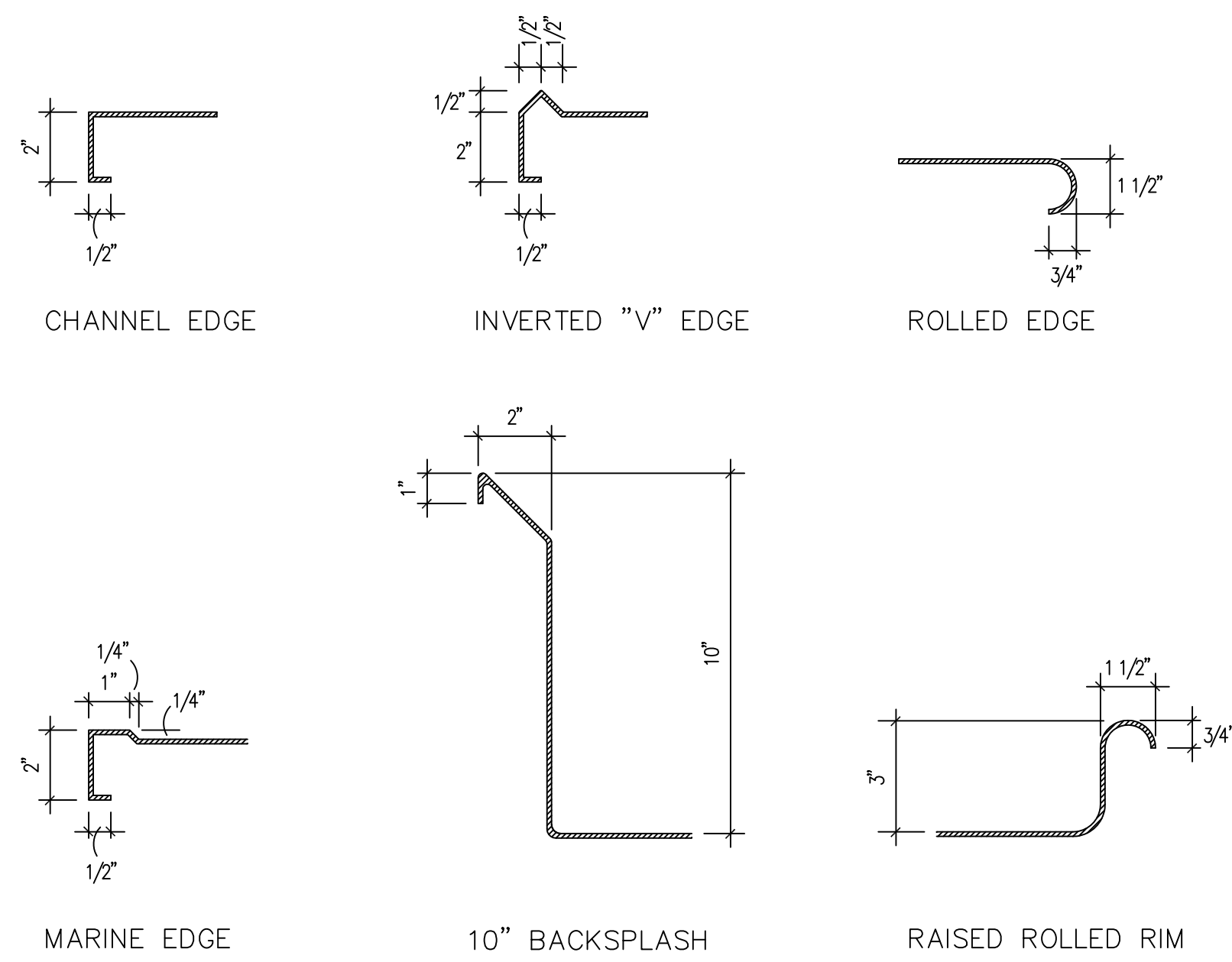


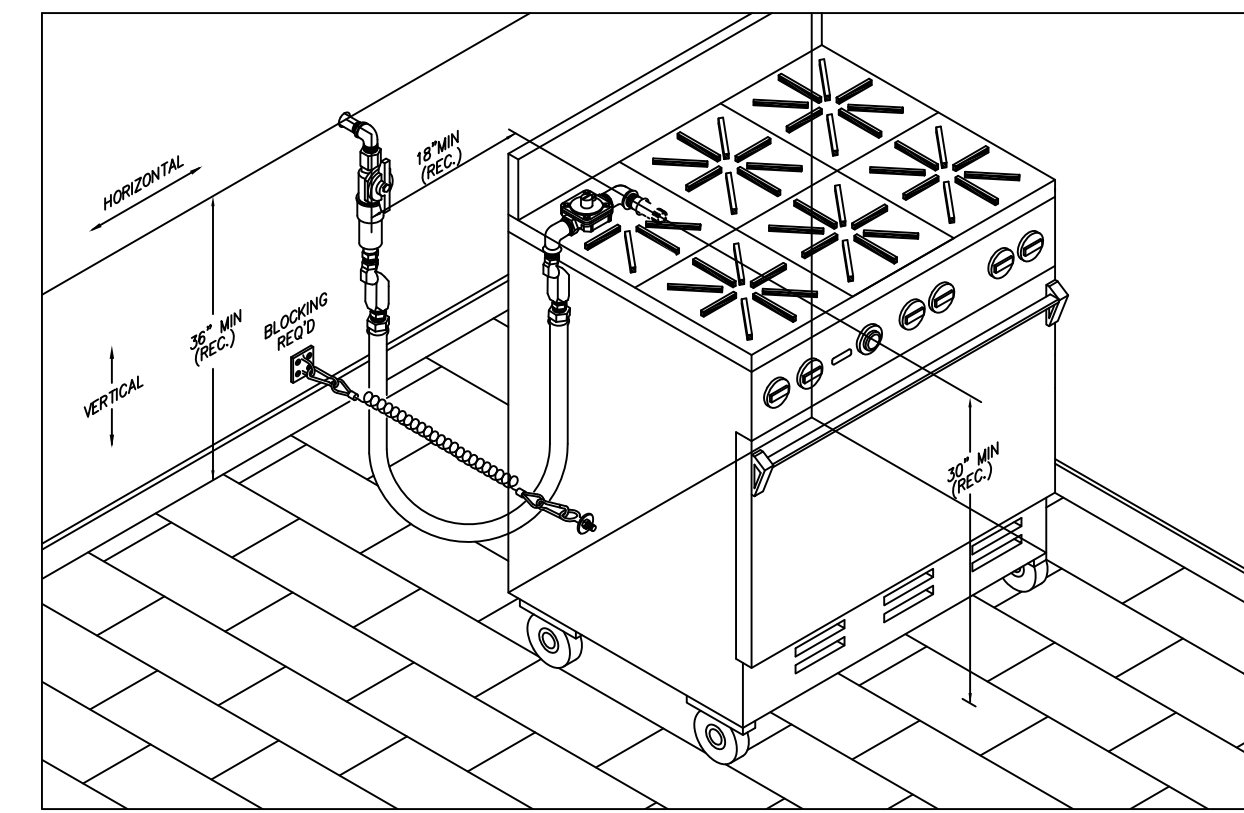
**Window Frame Detail**

SCALE - None



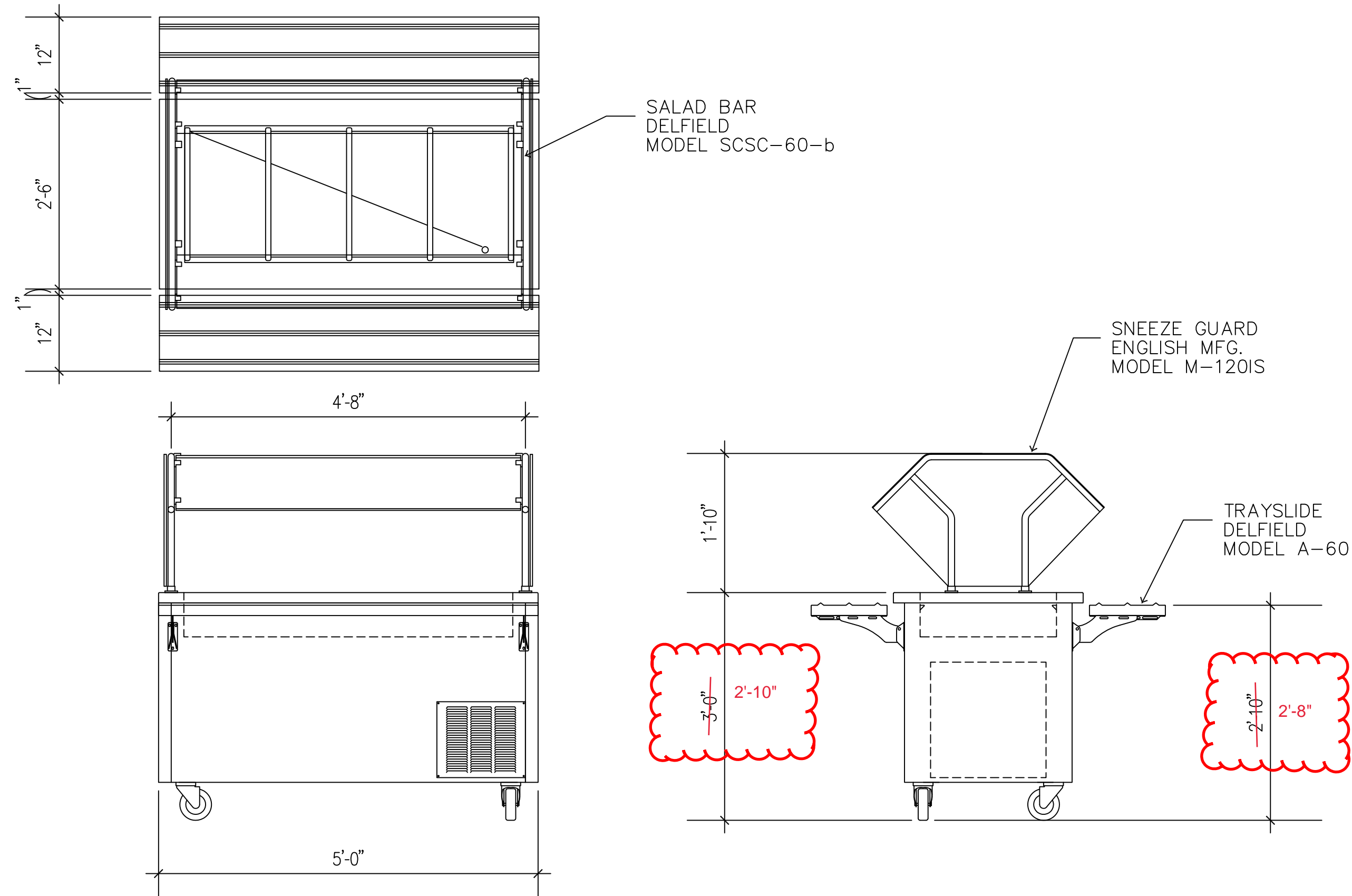
**Table Edge Details**

SCALE - 3" = 1' - 0"



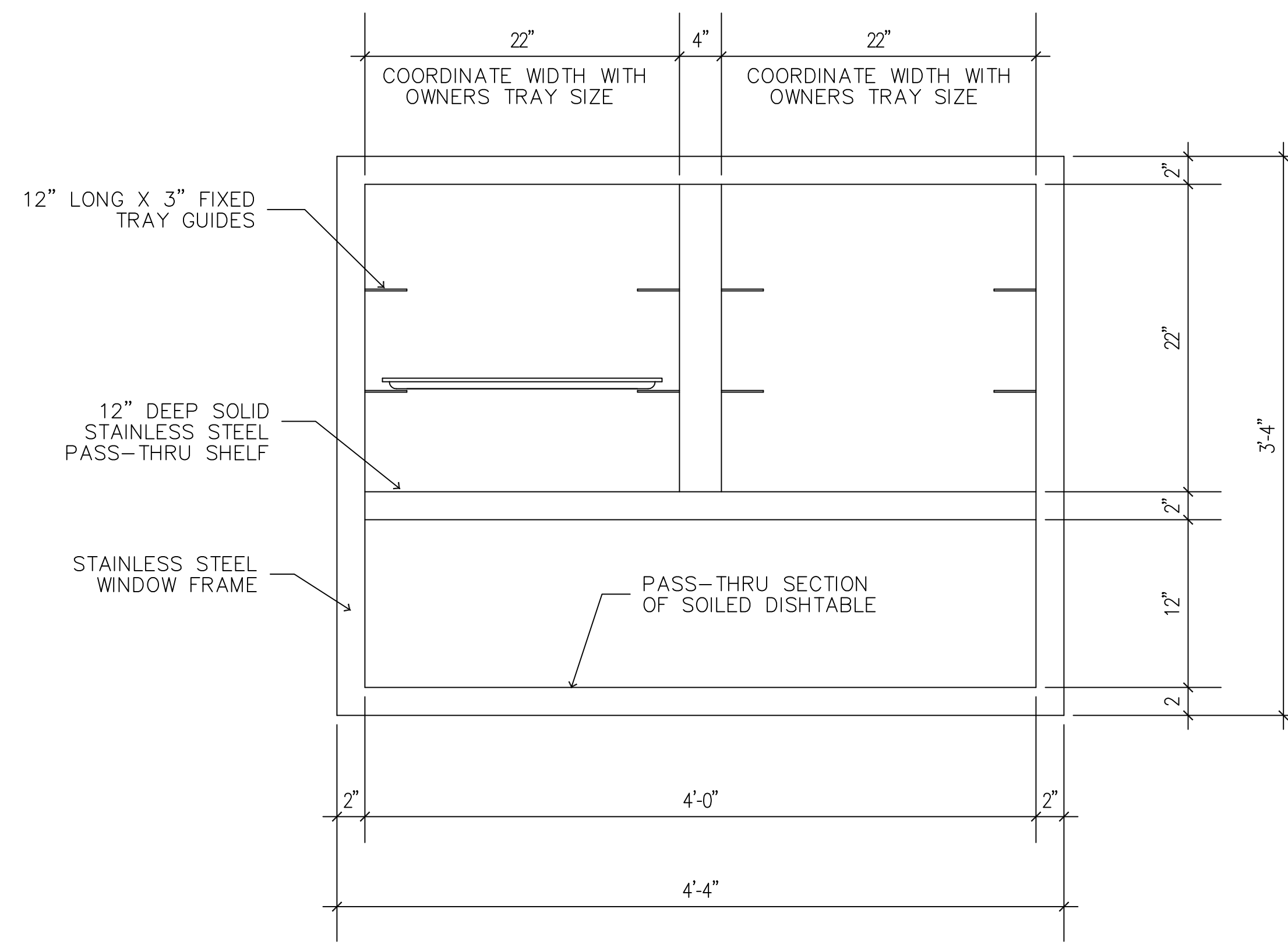
**Gas Hose Connection Detail**

SCALE - None



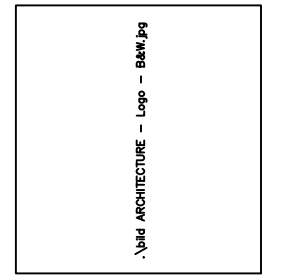
**Salad Bar Detail**

SCALE - 3/4" = 1' - 0"



**Dishwasher, Drop-Off Window Detail**

SCALE - 3/4" = 1' - 0"



REVISIONS	NO.	DESCRIPTION
1	-	-
2	-	-
3	-	-
4	-	-
5	-	-