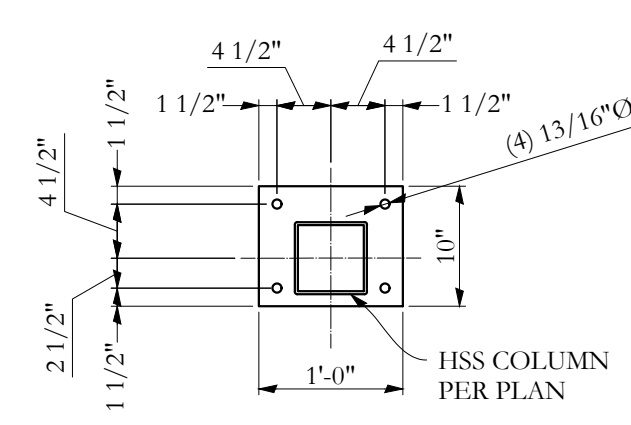
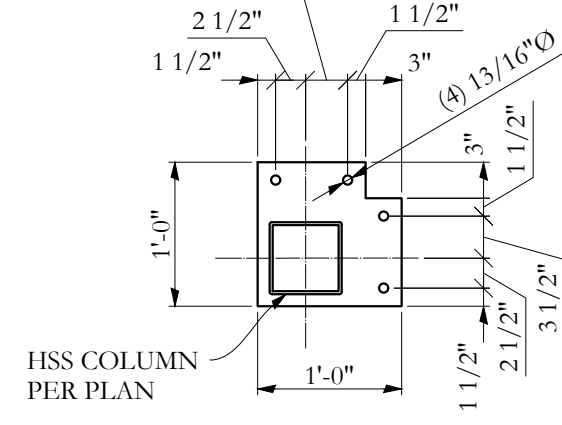


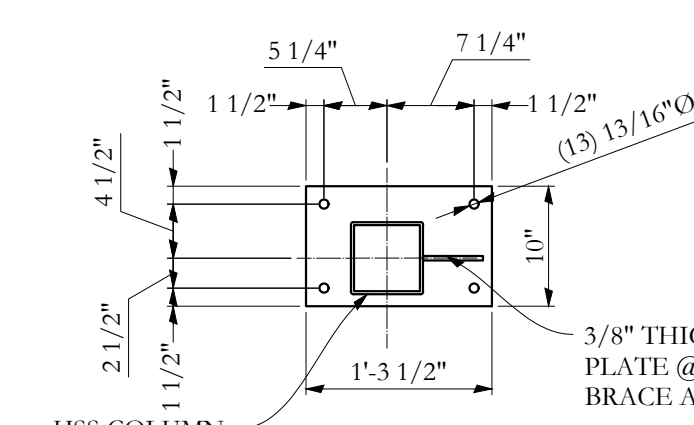
**BP1 BASE PLATE**  
SCALE: 3/4"=1'-0"



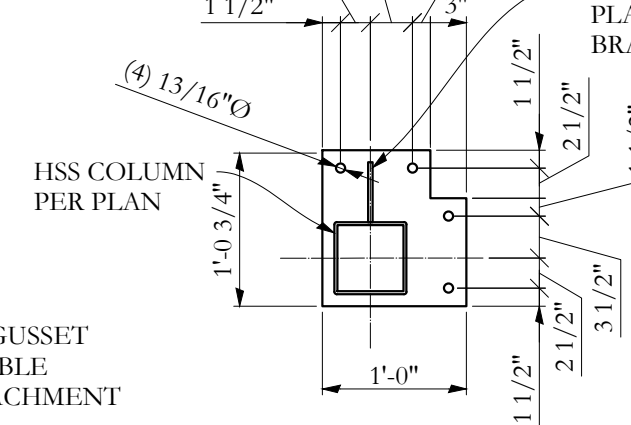
**BP2 BASE PLATE**  
SCALE: 3/4"=1'-0"



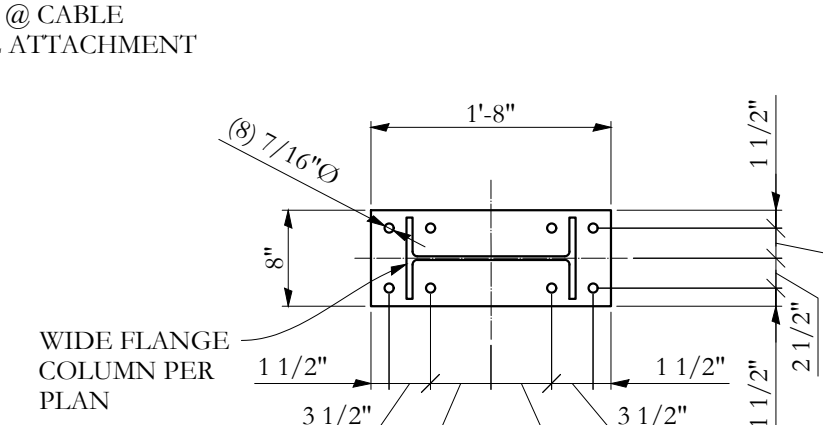
**BP3 BASE PLATE**  
SCALE: 3/4"=1'-0"



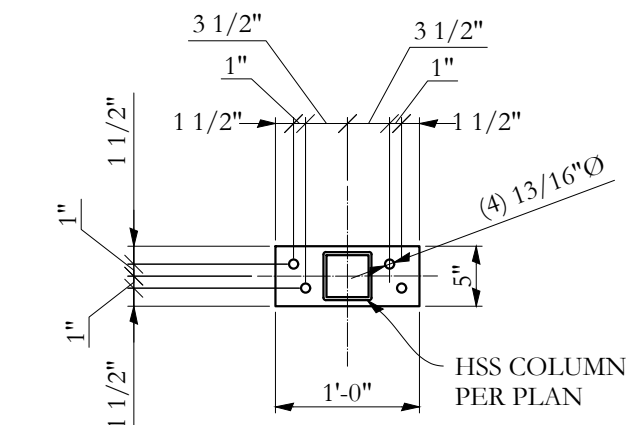
(RIGHT OR LEFT PER PLAN)  
**BP4 BASE PLATE**  
SCALE: 3/4"=1'-0"



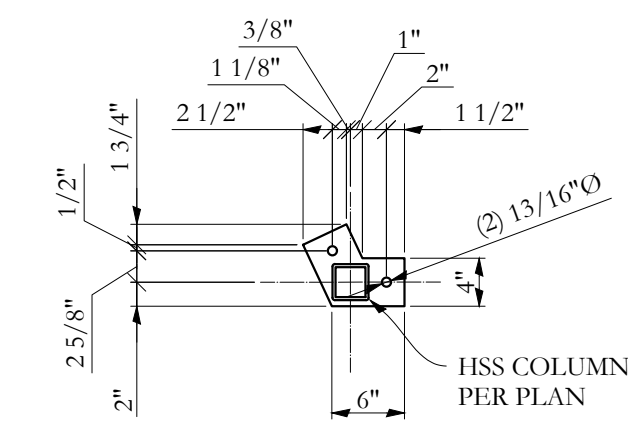
**BP5 BASE PLATE**  
SCALE: 3/4"=1'-0"



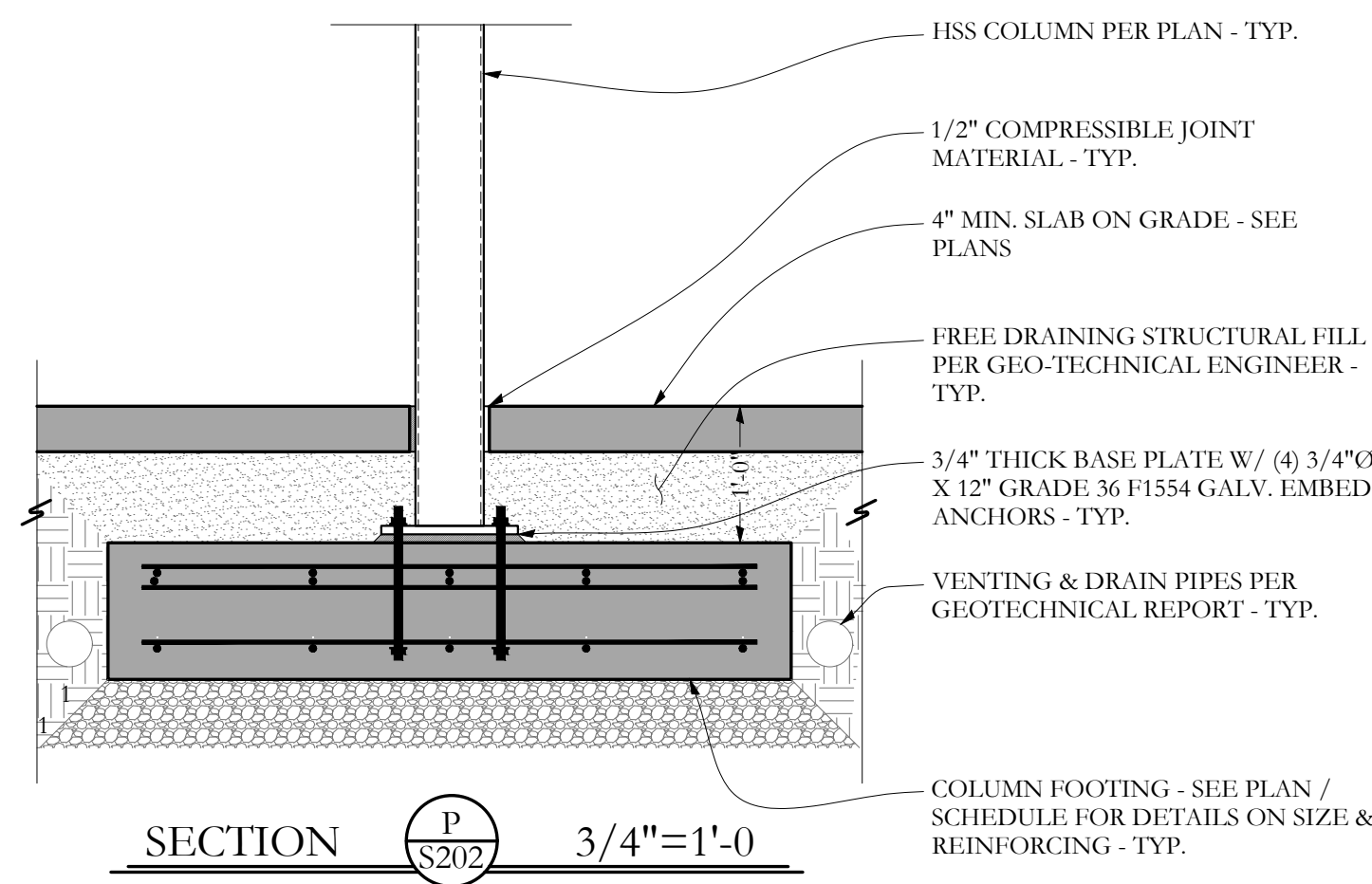
**BP6 BASE PLATE**  
SCALE: 3/4"=1'-0"



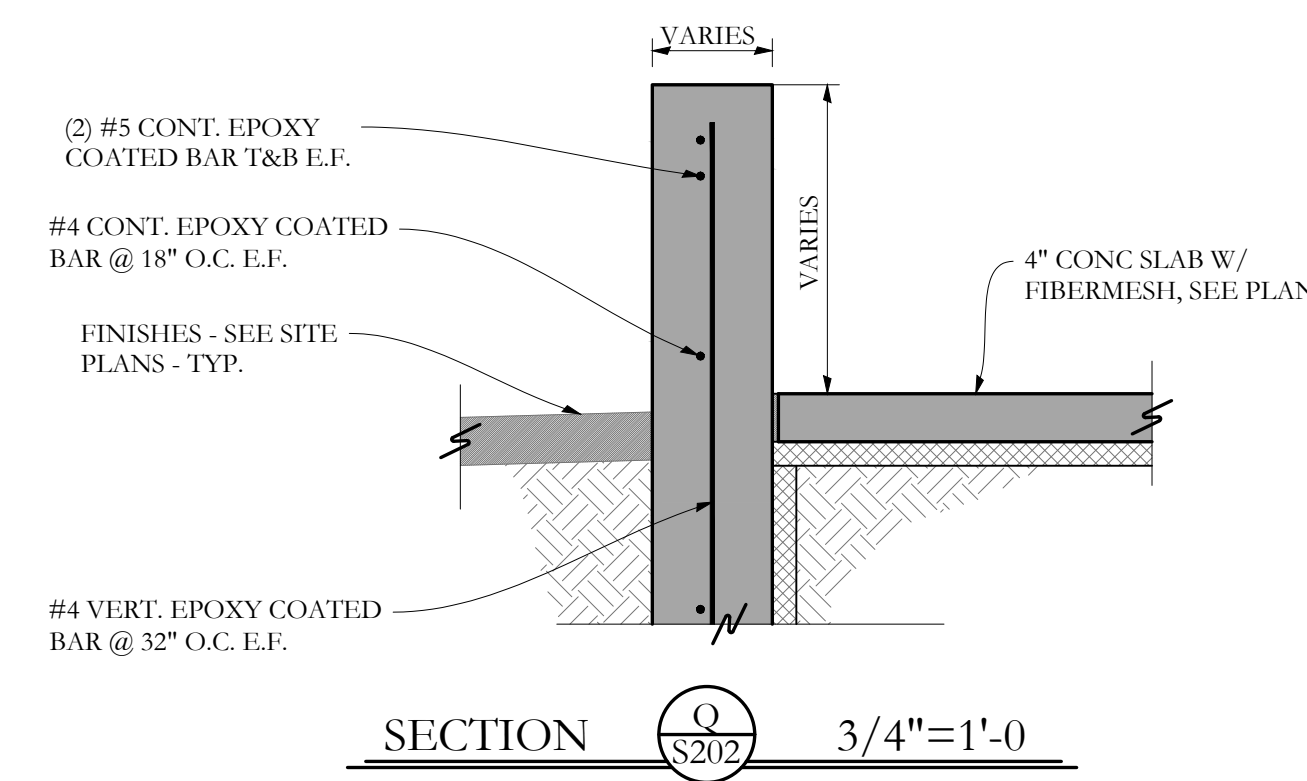
**BP7 BASE PLATE**  
SCALE: 3/4"=1'-0"



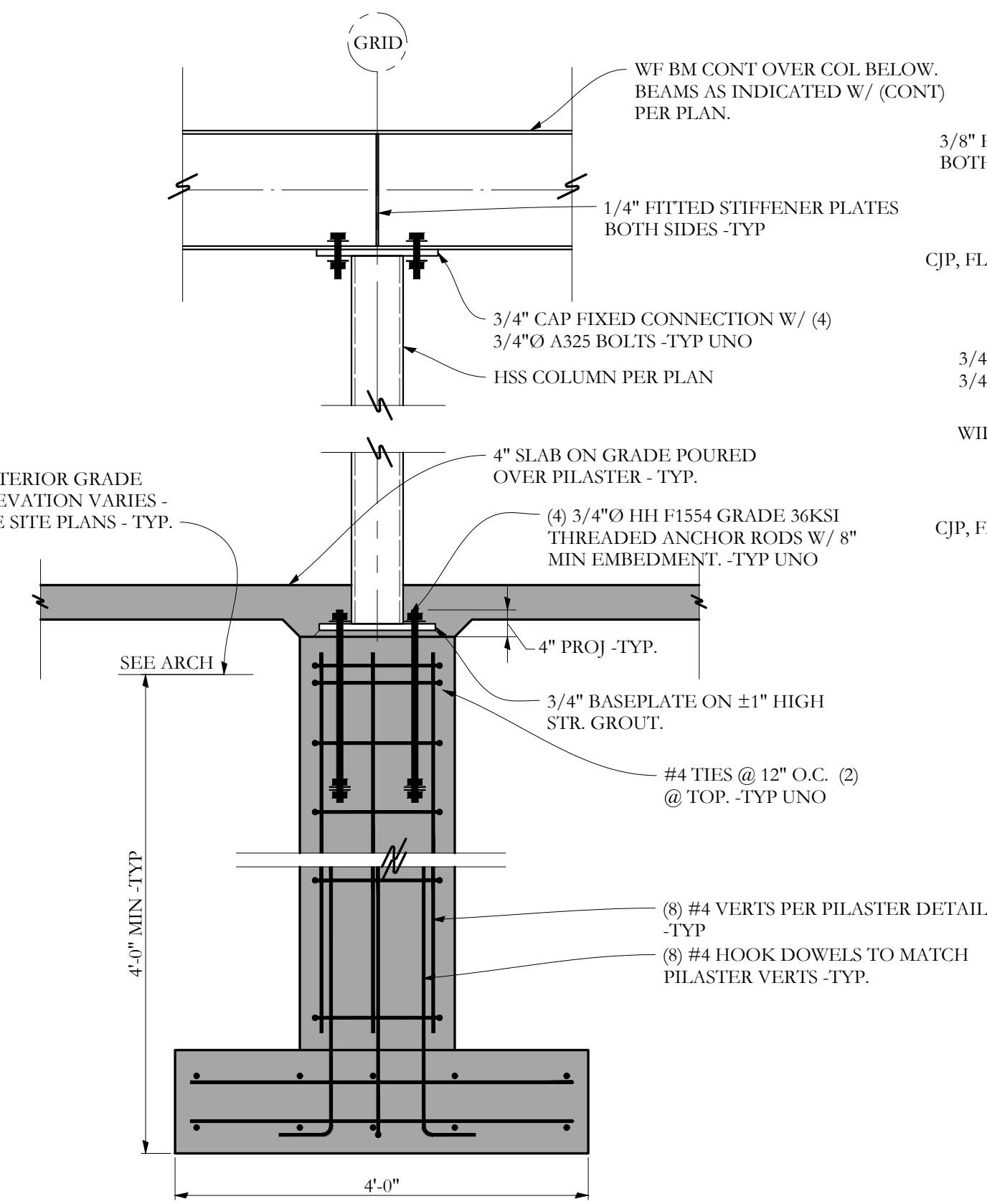
**BP8 BASE PLATE**  
SCALE: 3/4"=1'-0"



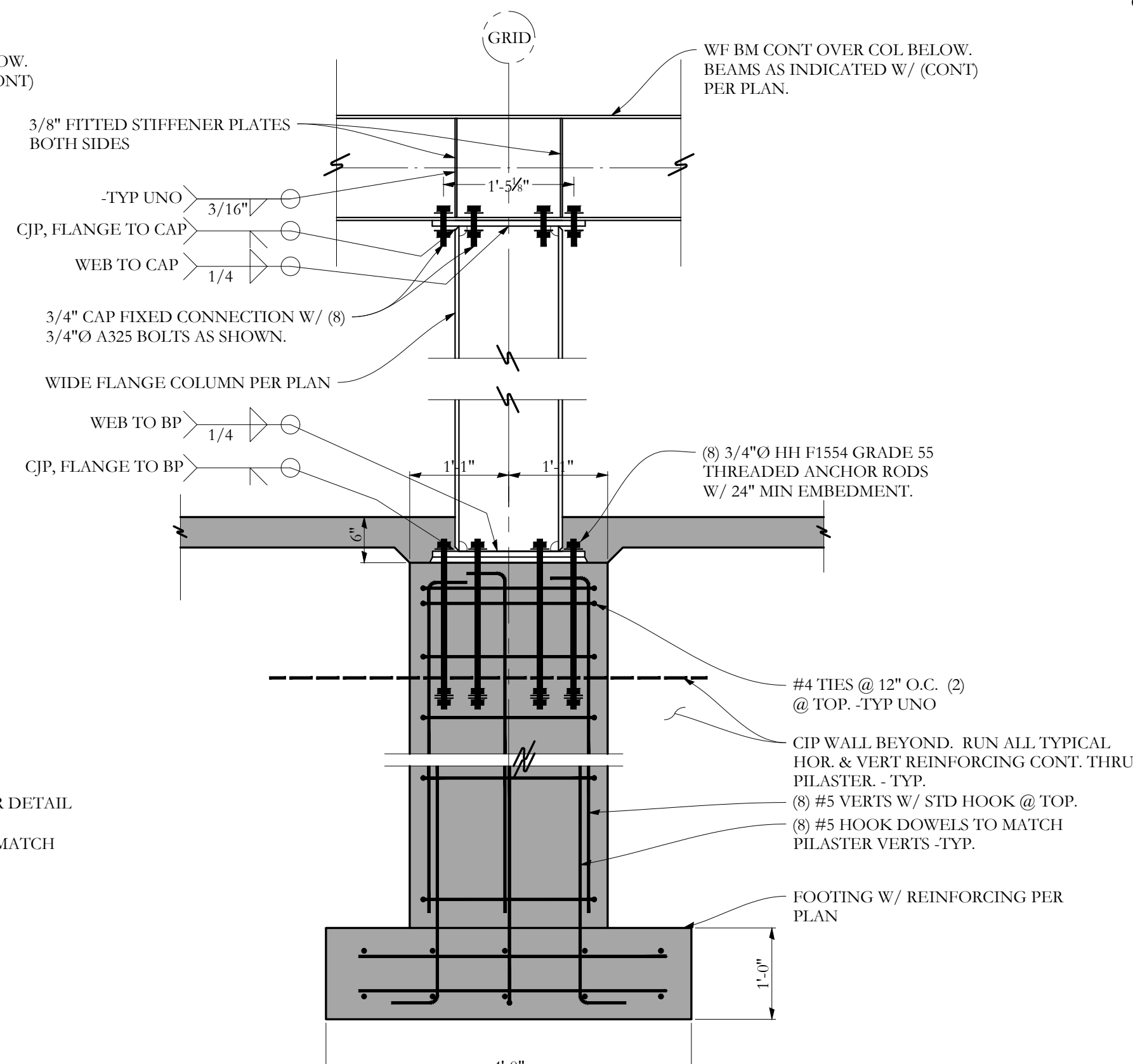
SECTION **P** S202 3/4"=1'-0"



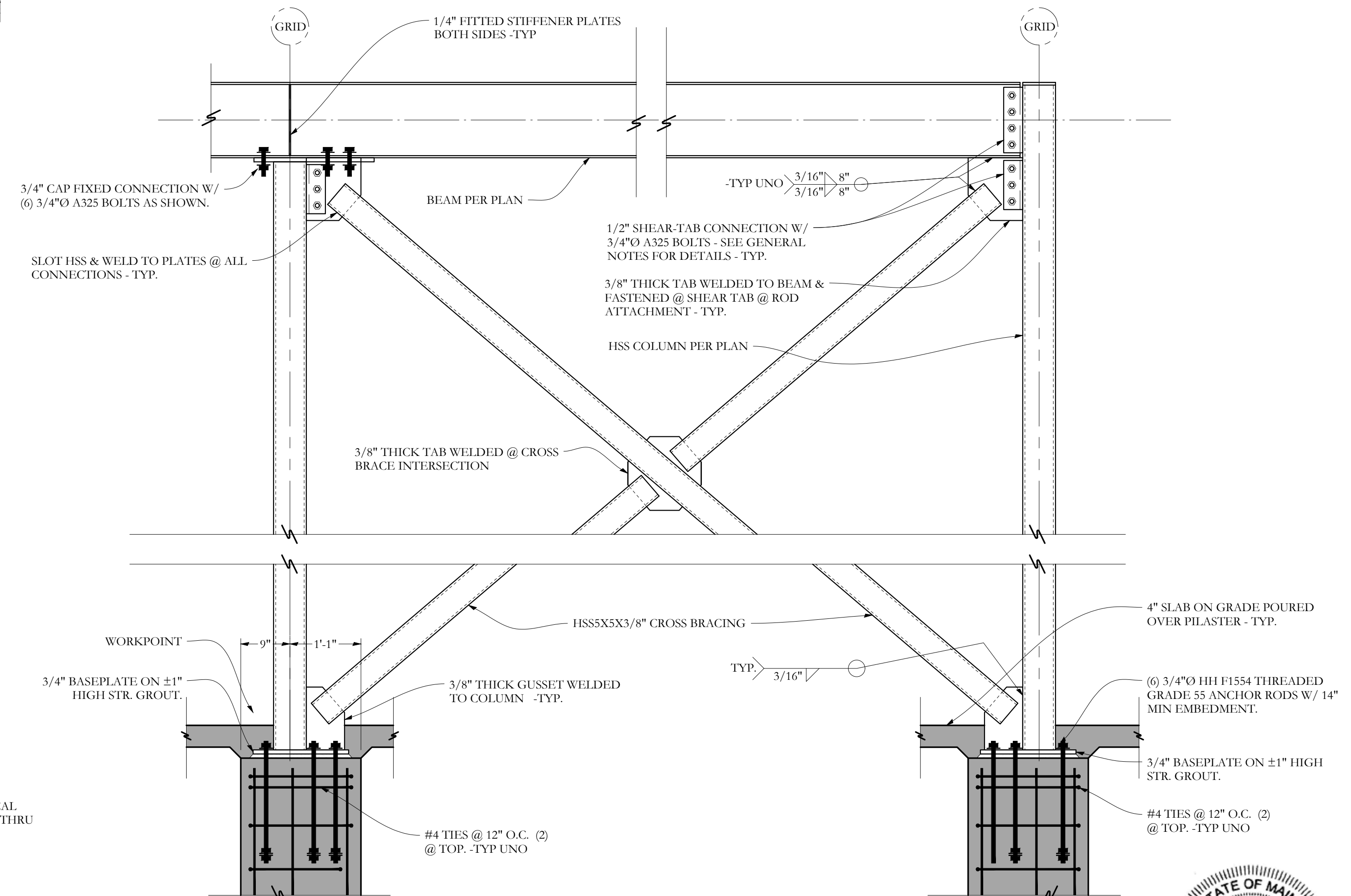
SECTION **Q** S202 3/4"=1'-0"



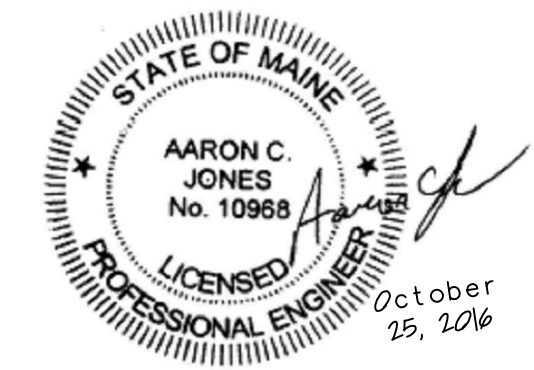
SECTION **L** S202 3/4"=1'-0"



SECTION **M** S202 3/4"=1'-0"



SECTION **N** S202 3/4"=1'-0"



**Structural Integrity**  
Consulting Engineers, Inc. BUILD WITH CONFIDENCE  
77 Oak Street  
Portland, ME, 04101  
p. 207-774-4614  
f. 866-793-7835  
www.structuralintegrity.com  
© 2016 Structural Integrity Consulting Engineers, Inc.  
SI: 16-0122