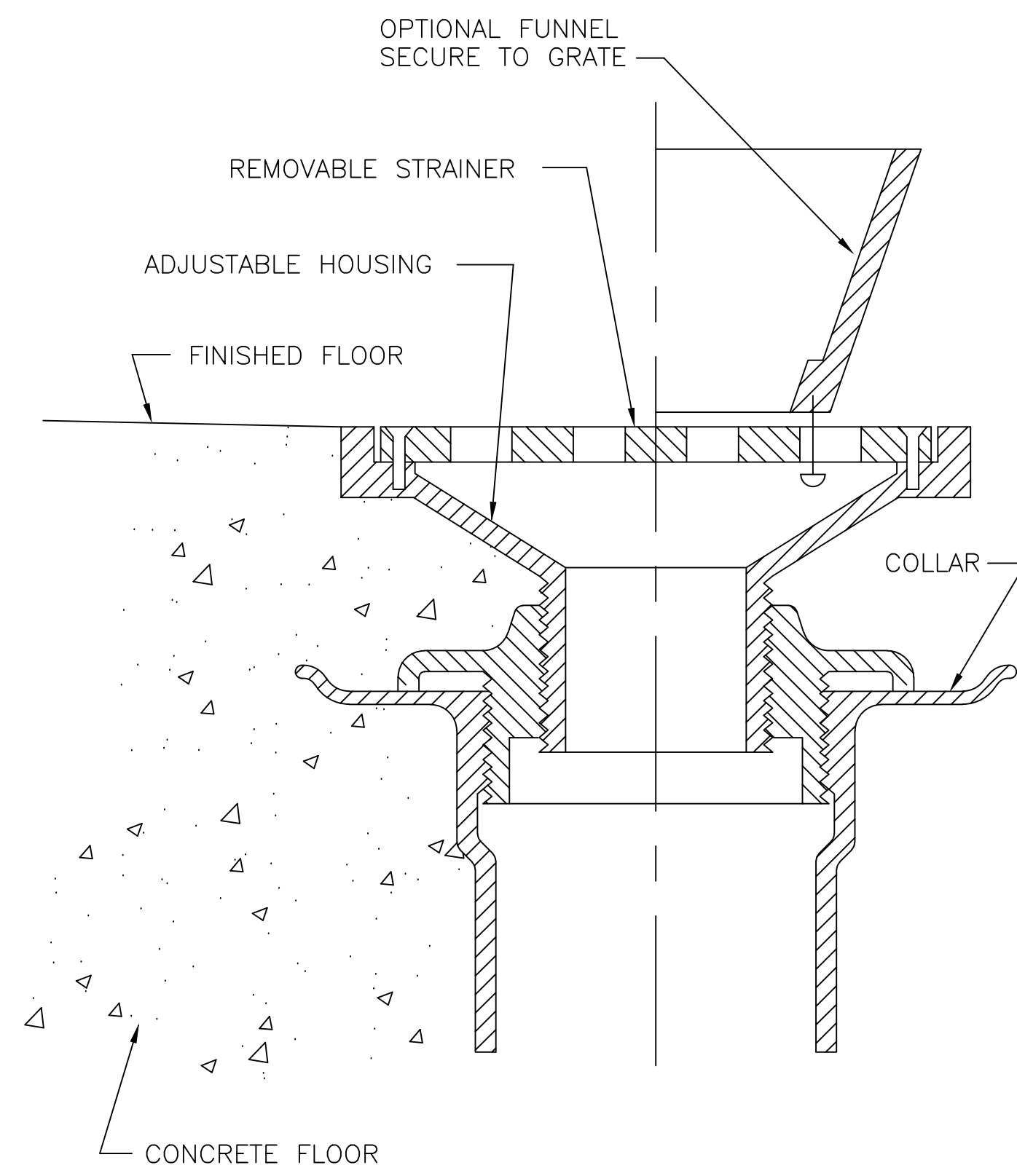
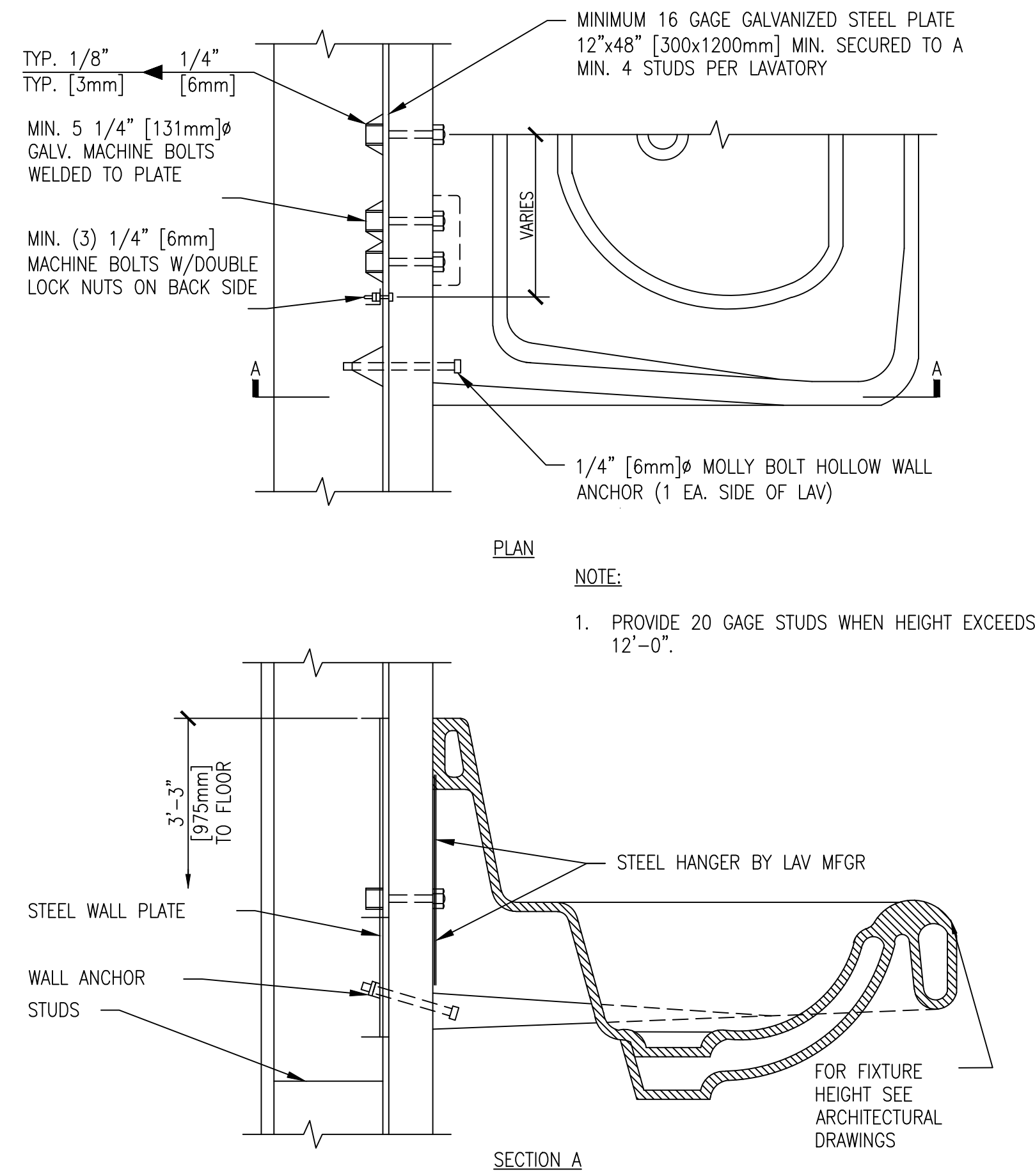
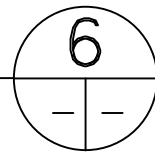


COPYRIGHT: Reuse or reproduction of the contents of this document is not permitted without written permission of Ripcord Engineering, Inc.



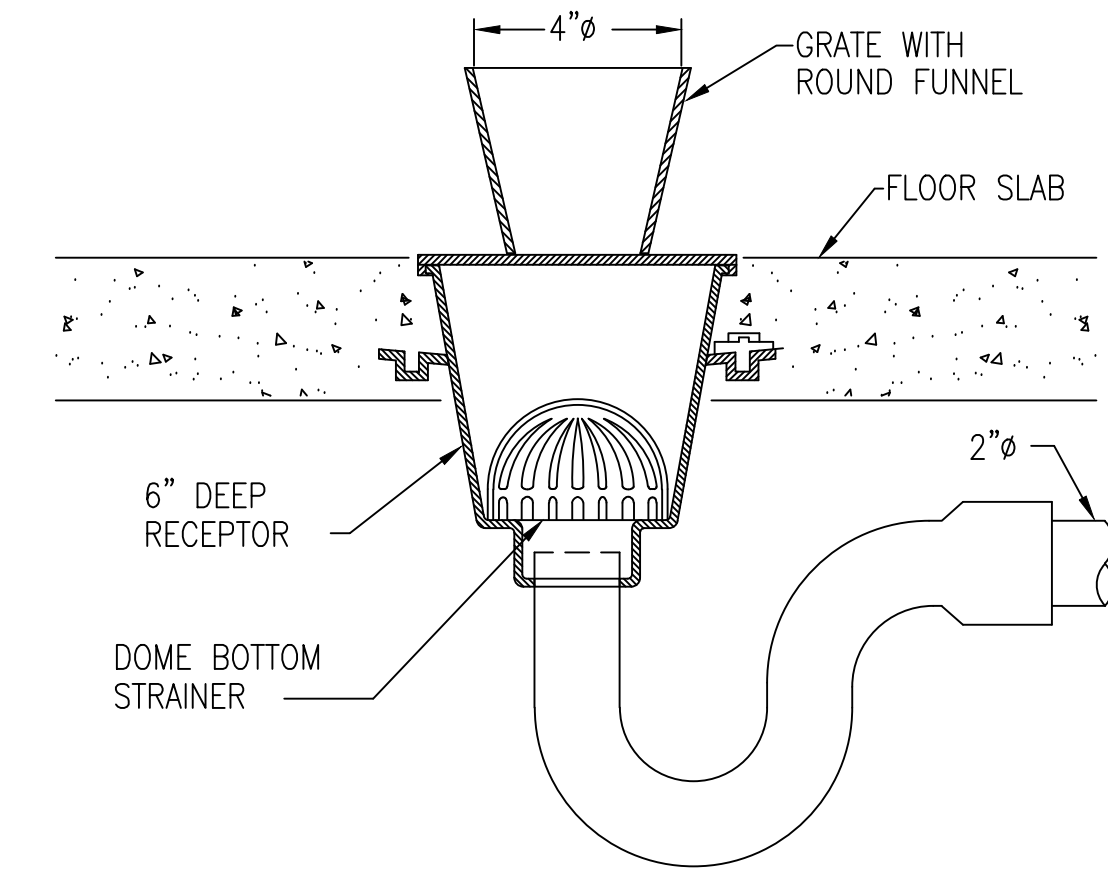
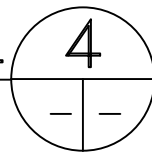
FLOOR DRAIN DETAIL

NO SCALE



LAVATORY MOUNTING DETAIL

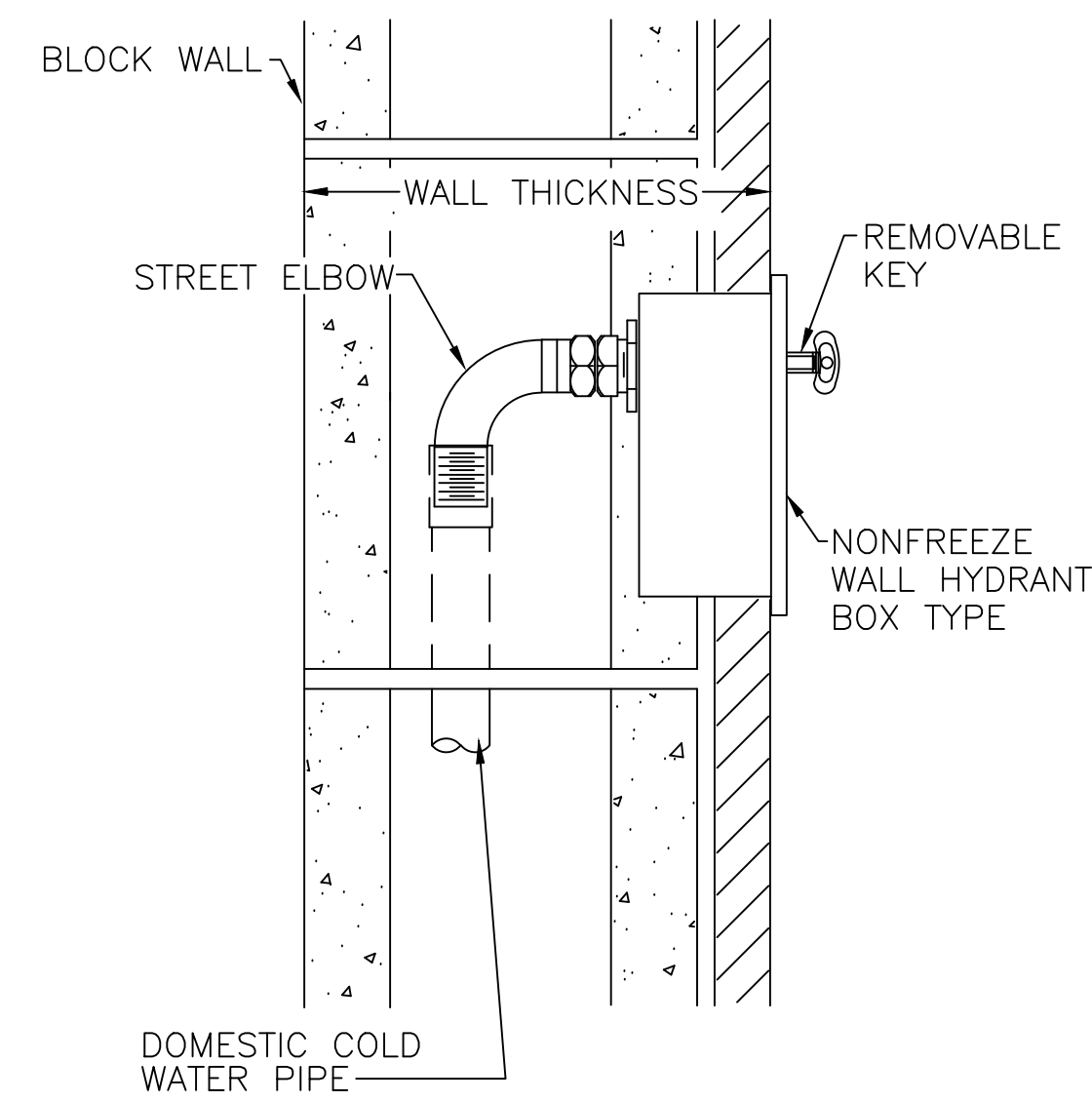
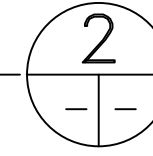
NO SCALE



(USED TO RECEIVE EXHAUST HOOD DRAIN)

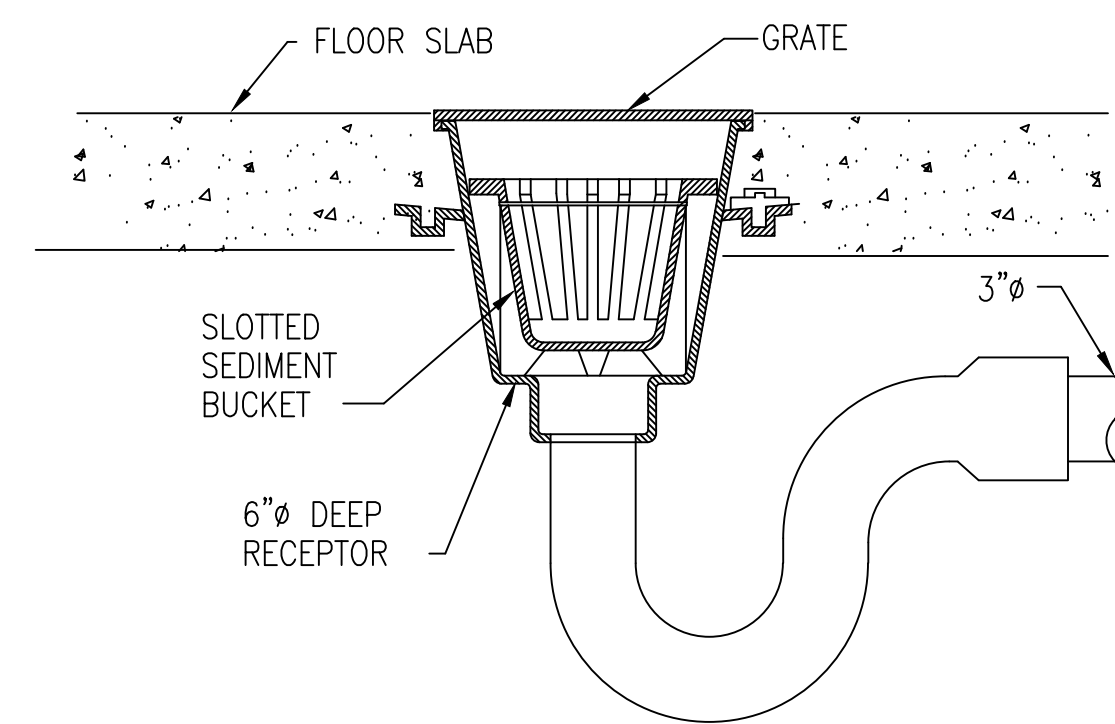
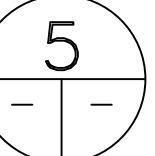
FLOOR SINK W/  
FUNNEL DETAIL

NO SCALE



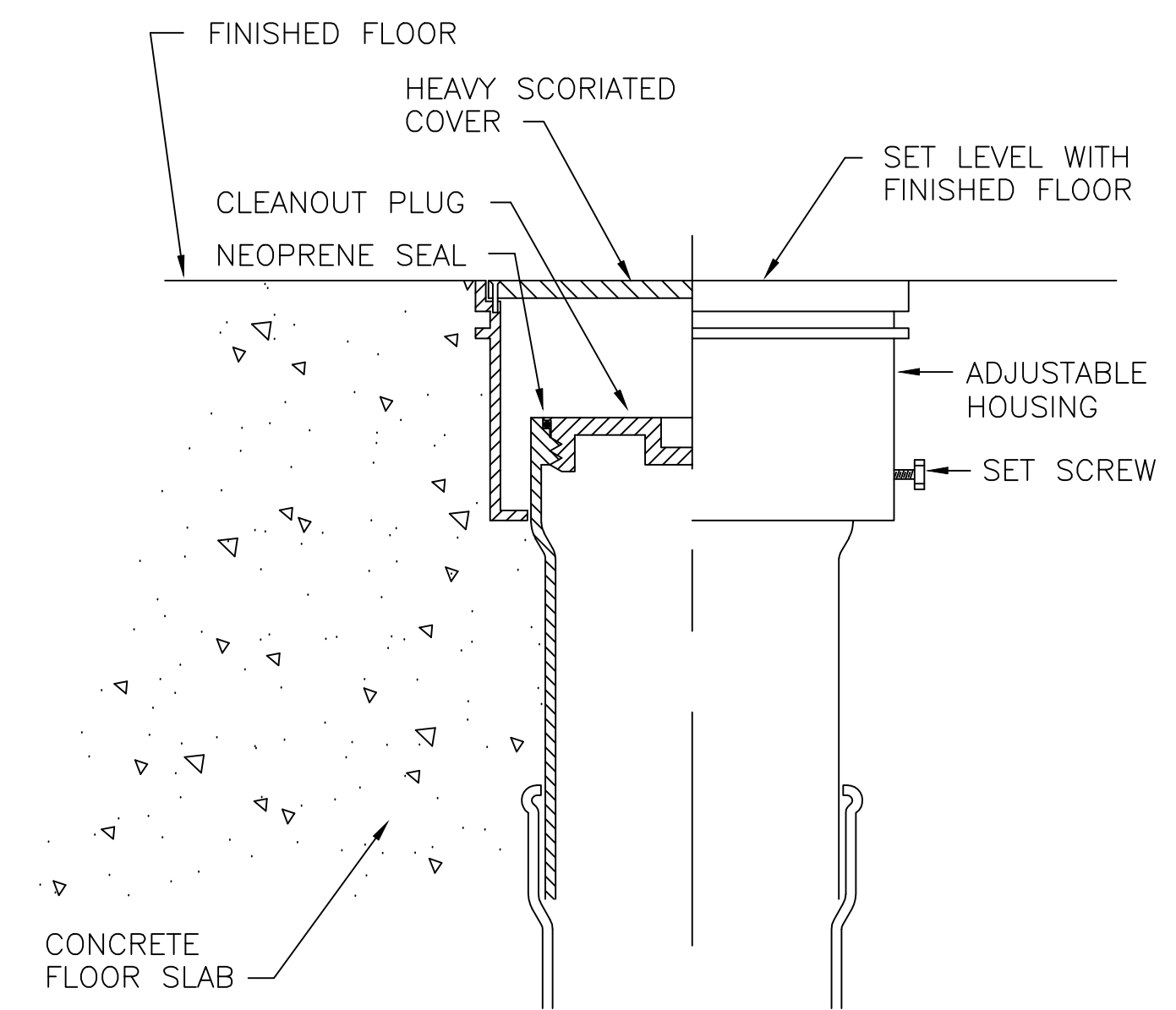
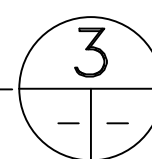
NONFREEZE WALL  
HYDRANT DETAIL  
BOX TYPE

NO SCALE



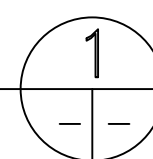
FLOOR SINK DETAIL

NO SCALE



FLOOR CLEANOUT DETAIL

NO SCALE



REVISIONS
1
2
3
4
5