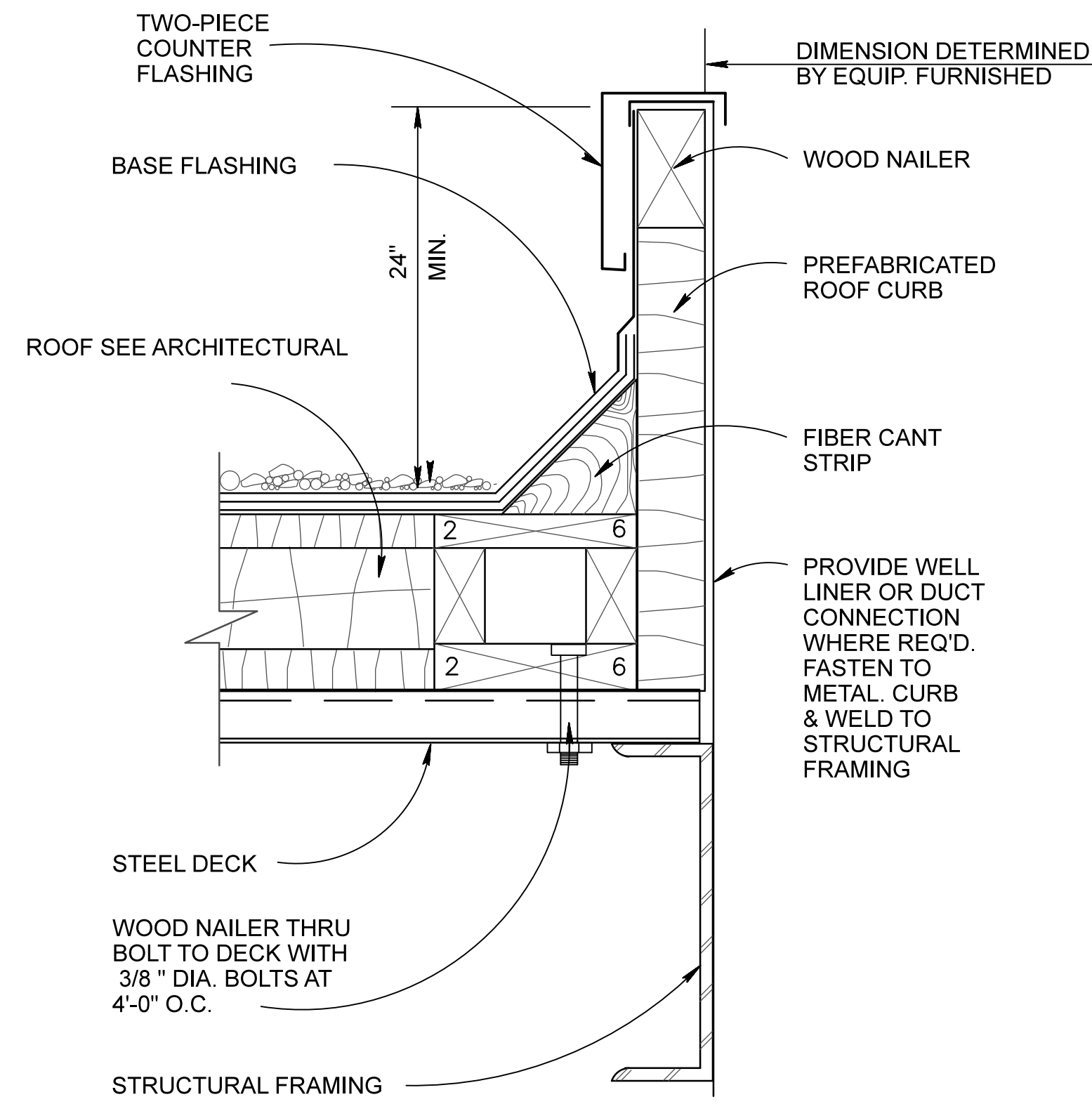
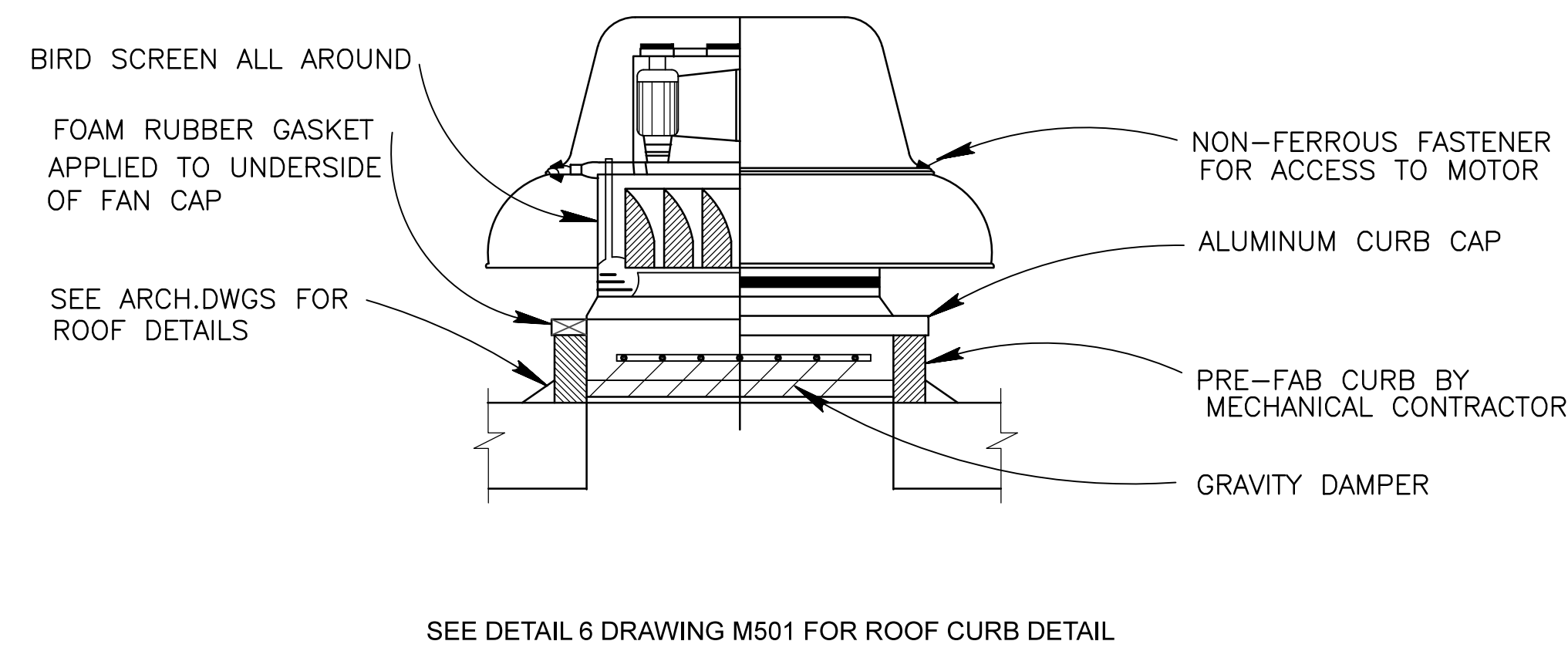


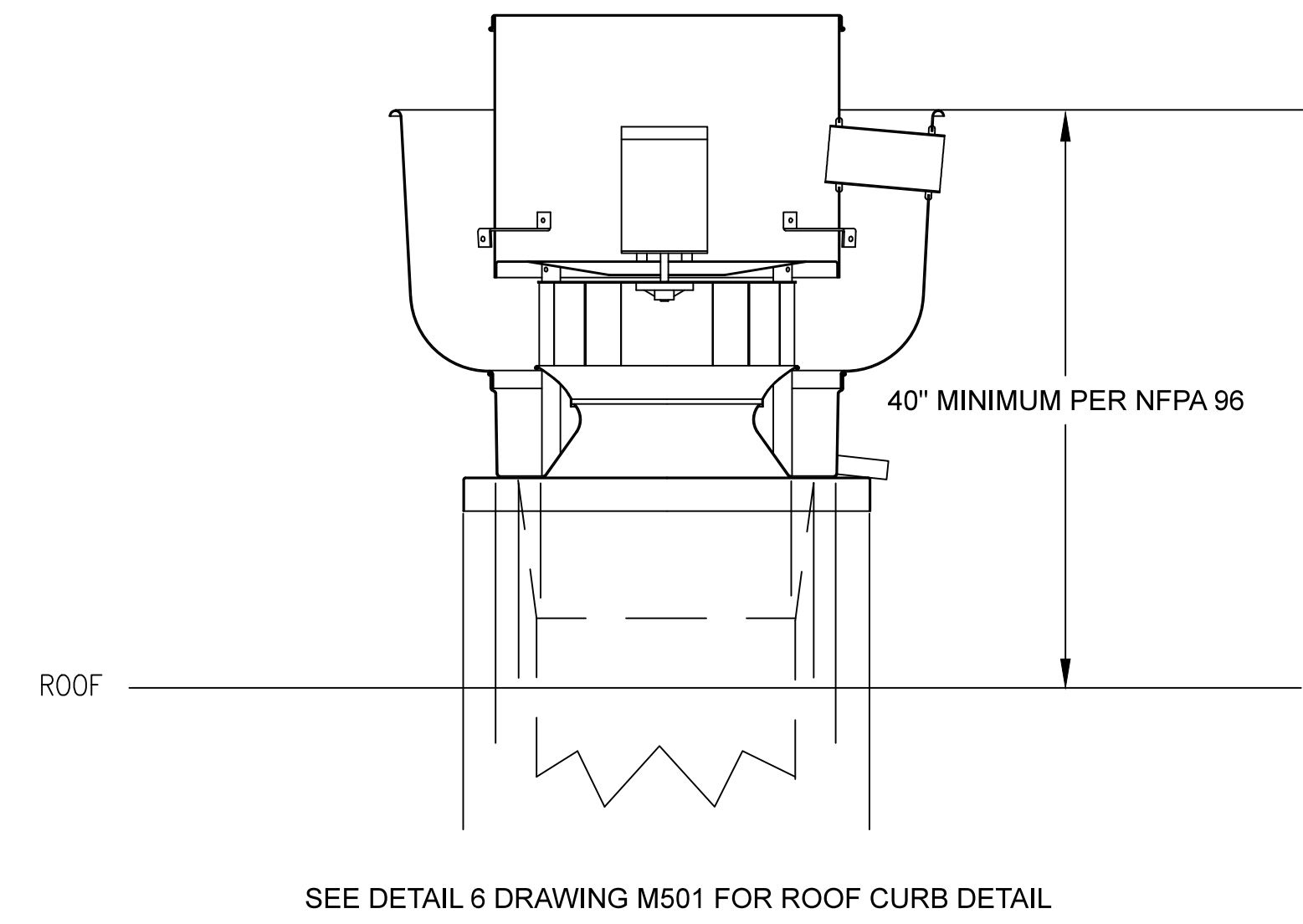
COPYRIGHT: Reuse or reproduction of the contents of this document is not permitted without written permission of Ripcord Engineering, Inc.



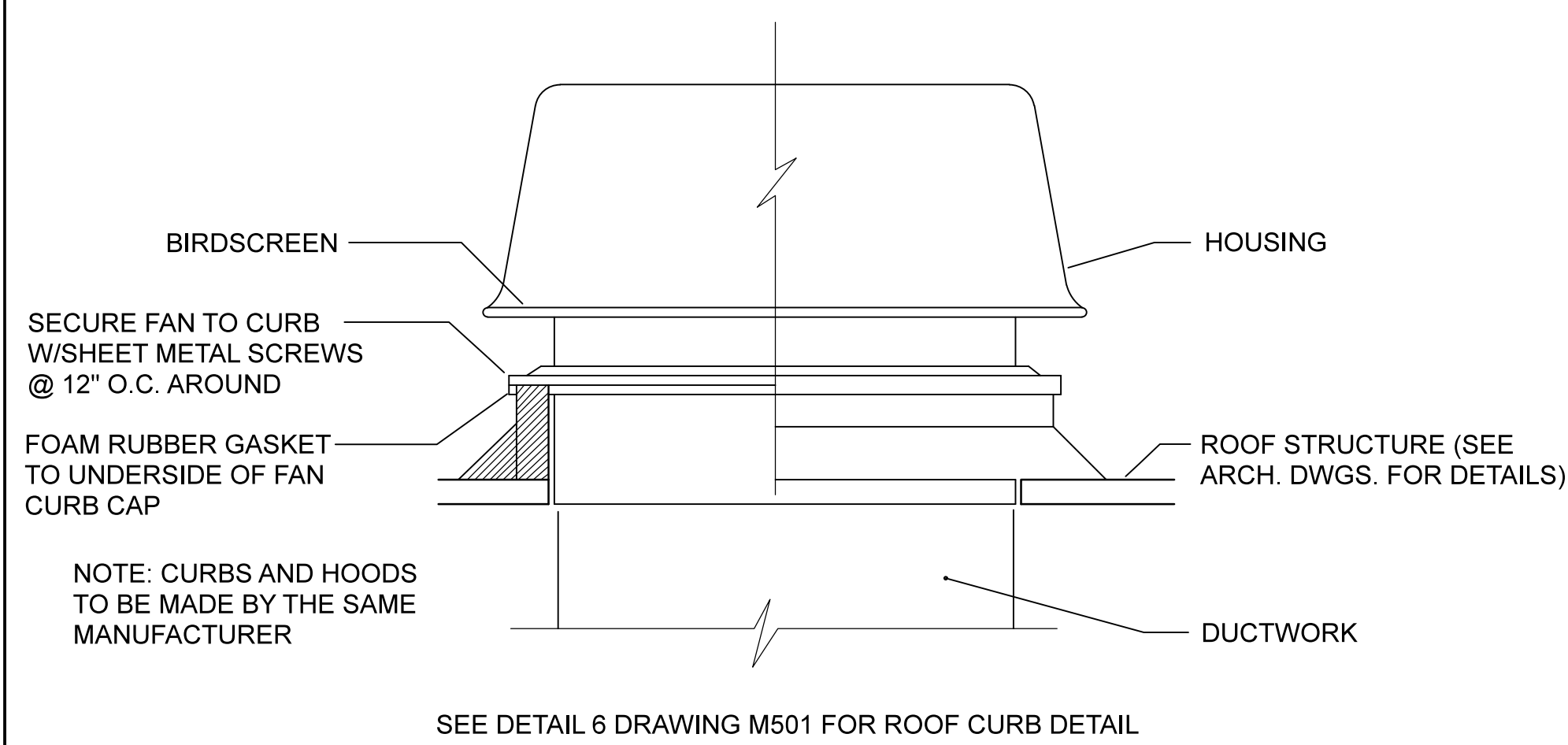
EQUIPMENT ROOF CURB DETAIL **6**
NO SCALE



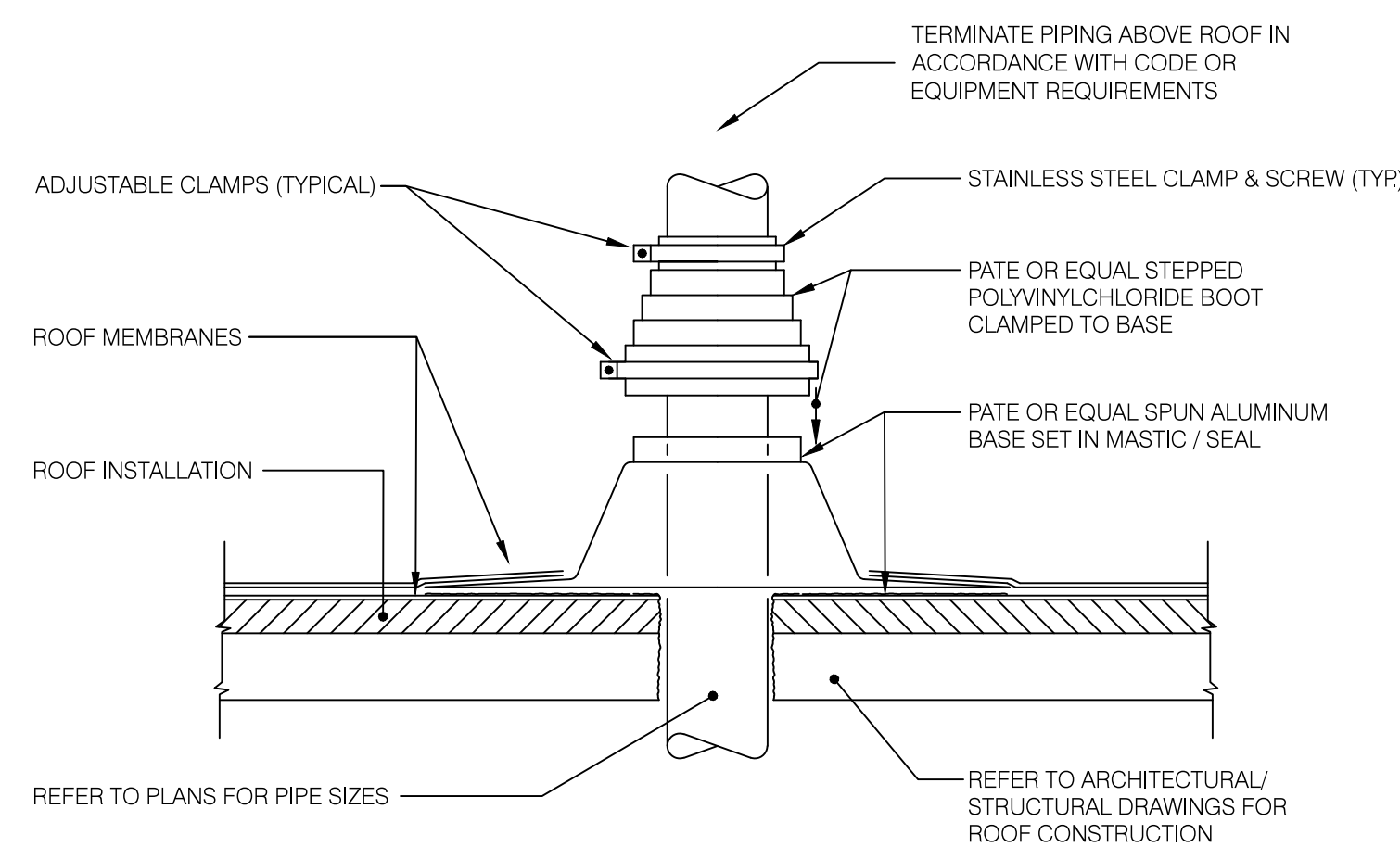
ROOF MOUNTED EXHAUST FAN DETAIL **4**
NO SCALE



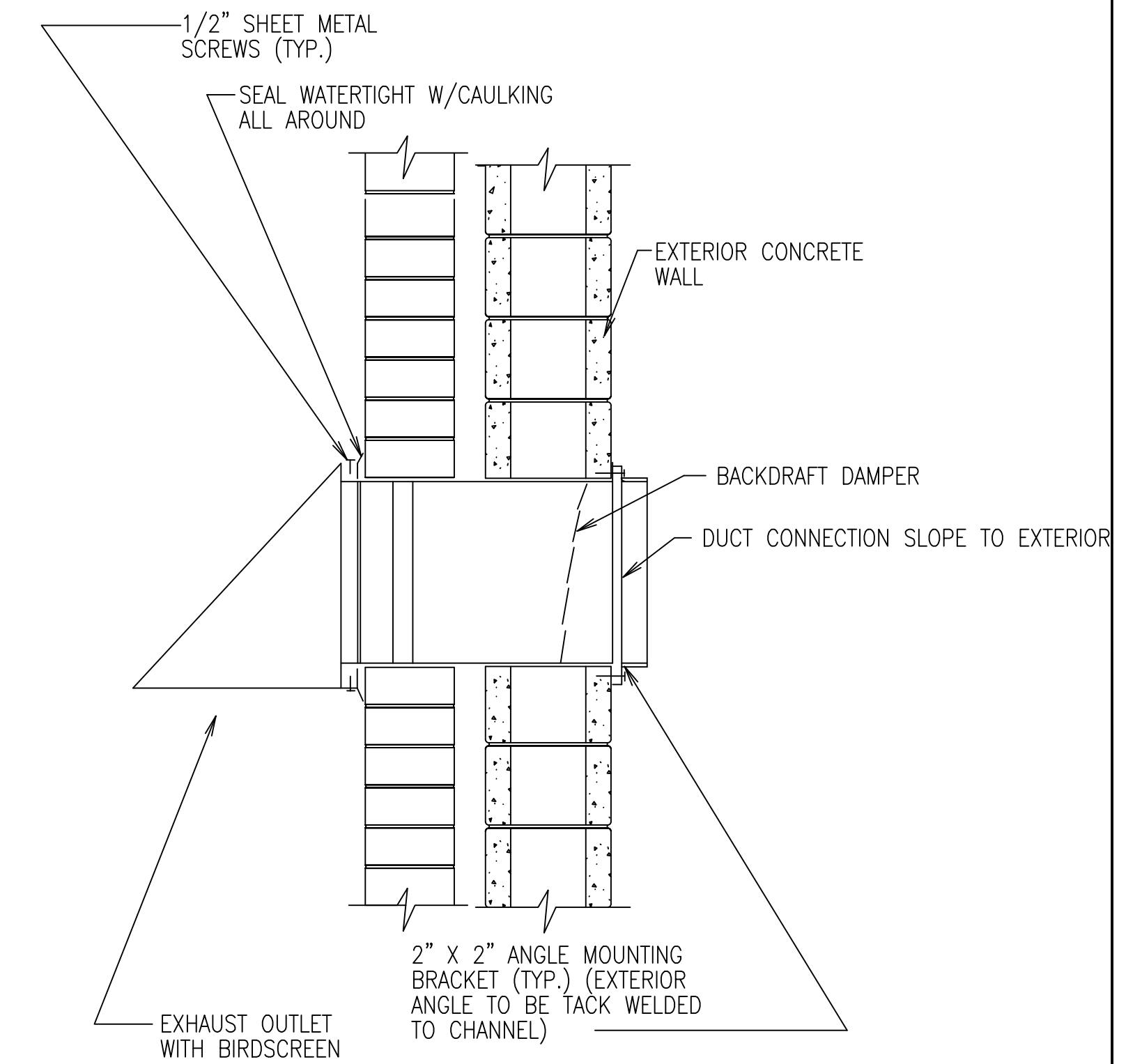
GREASE EXHAUST FAN DETAIL **2**
NO SCALE



INTAKE VENT DETAIL **5**
NO SCALE



PIPING ROOF PENETRATION DETAIL **3**
NO SCALE



INTAKE/EXHAUST HOOD DETAIL **1**
NO SCALE

REVISIONS

1	
2	
3	
4	
5	