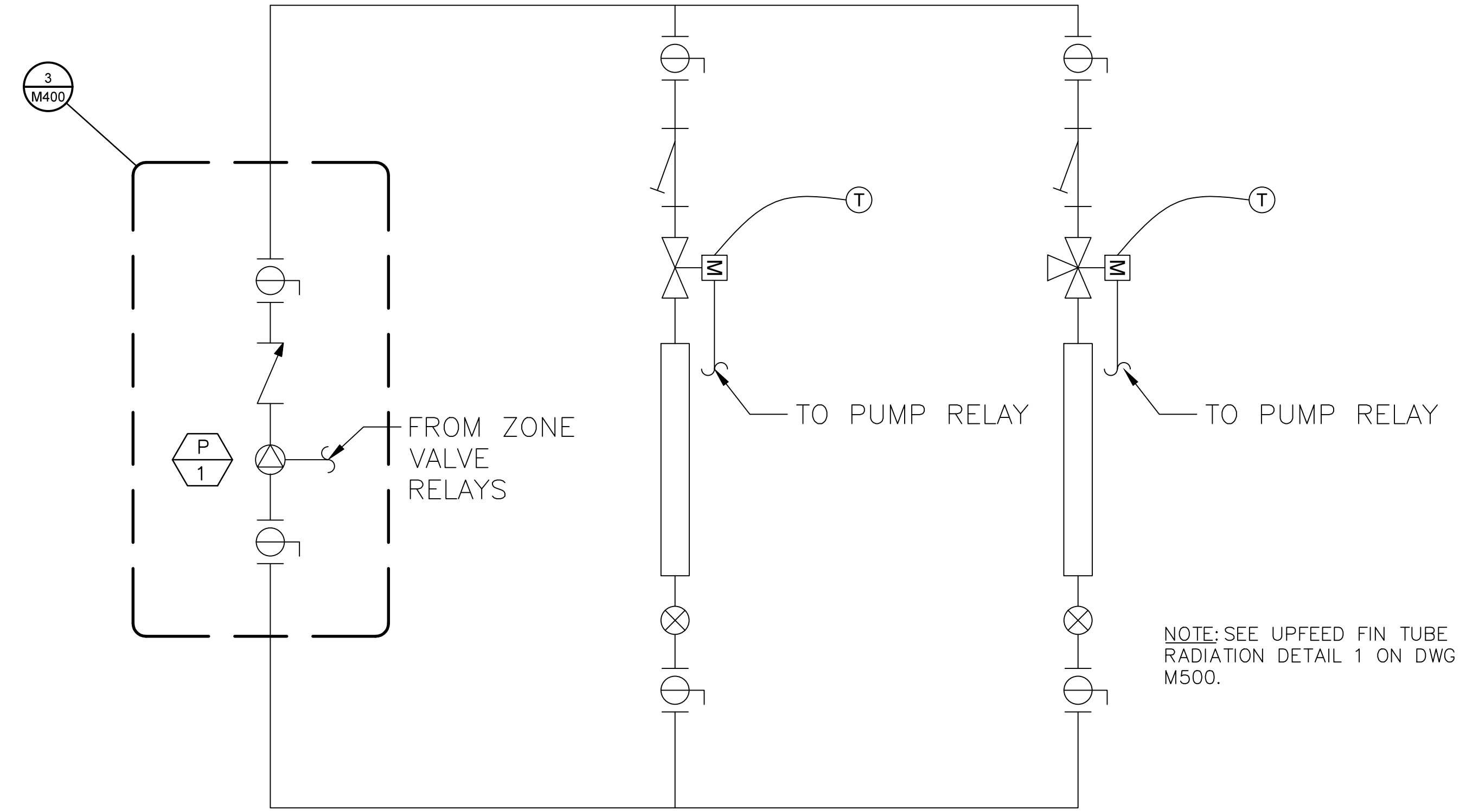
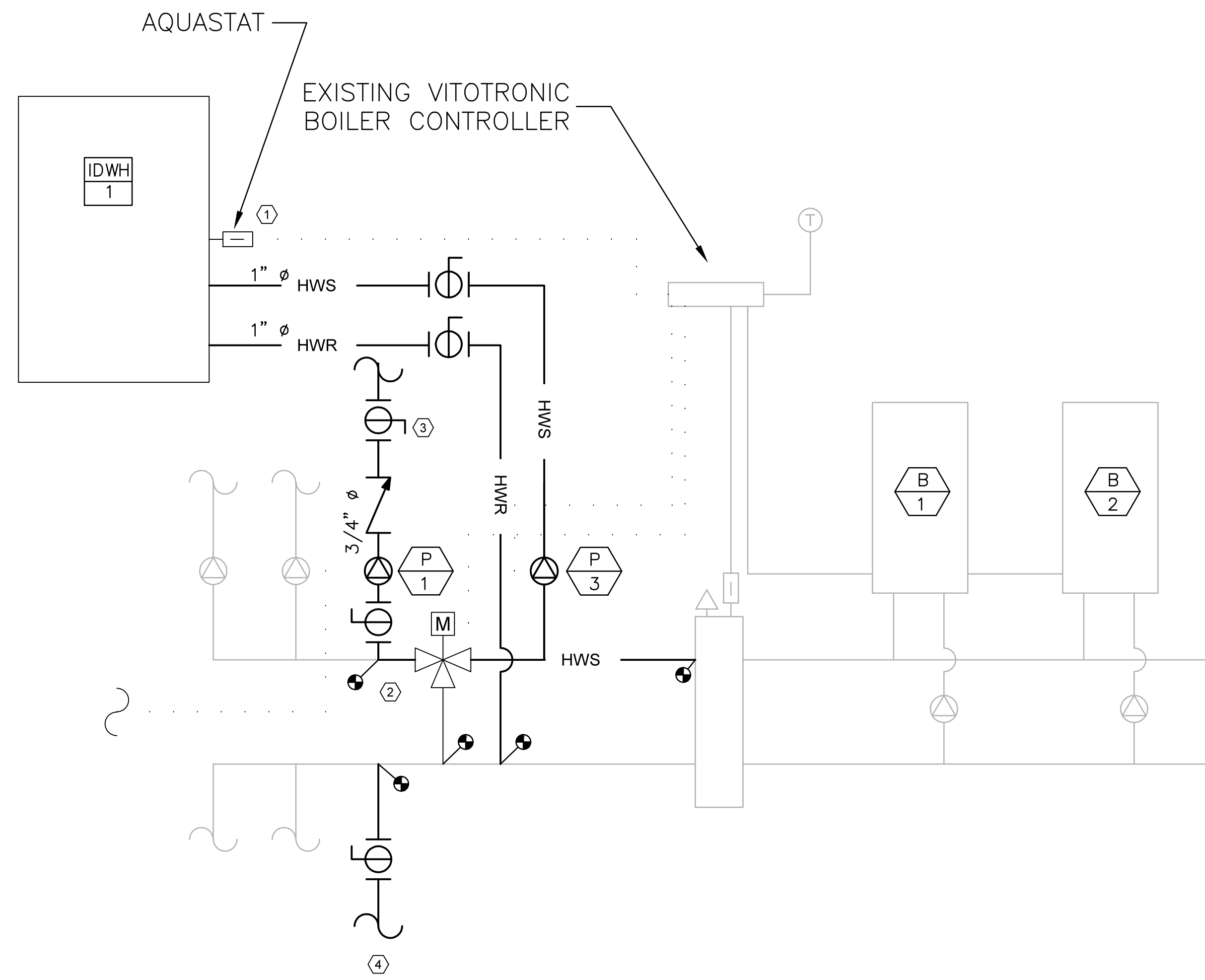


1 EXISTING NATURAL GAS BOILER DIAGRAM
NTS



2 FIN TUBE RADIATOR PIPING DIAGRAM
NTS



3 NEW NATURAL GAS BOILER DIAGRAM
NTS

- ① CONNECT INDIRECT WATER HEATER AQUASTAT AND CIRCULATION PUMP TO EXISTING VITOTRONIC CONTROLLER.
- ② INSTALL NEW 3-WAY MIXING VALVE AND CONNECT TO EXISTING VITOTRONIC CONTROLLER.
- ③ INSTALL NEW HEATING HOT WATER SUPPLY PIPING BRANCH TO APARTMENT WITH ZONE PUMP. CONNECT ZONE PUMP TO ZONE VALVE END SWITCHES IN APARTMENT.
- ④ INSTALL NEW HEATING HOT WATER RETURN PIPING BRANCH FROM APARTMENT.