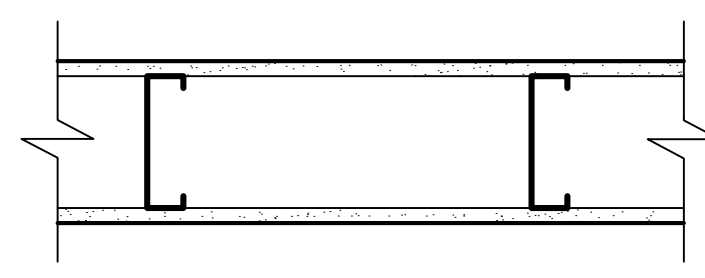
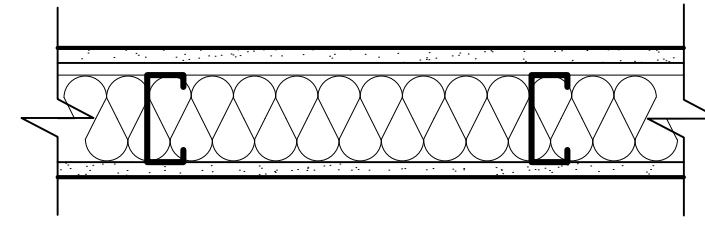
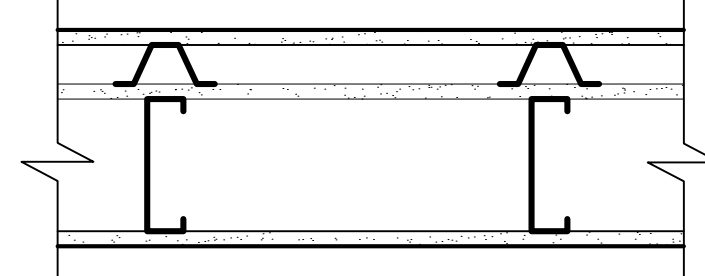


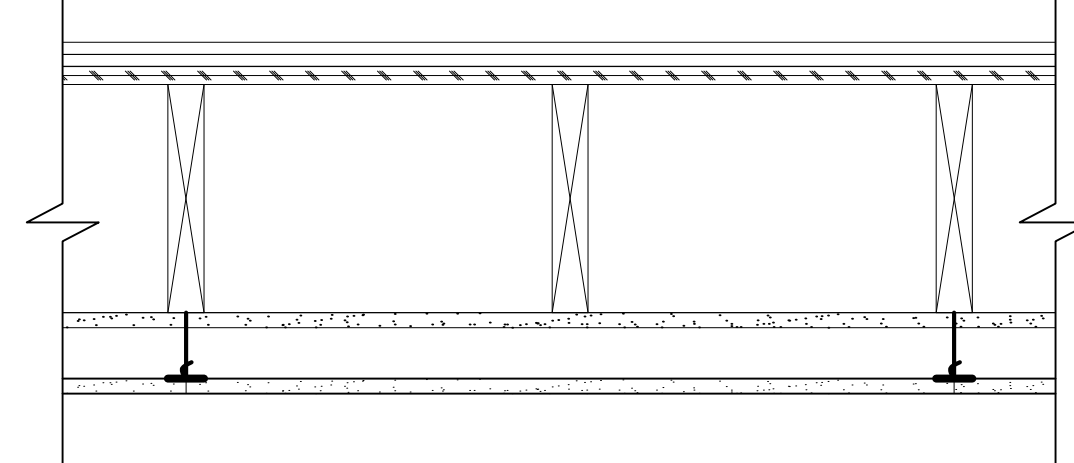
WALL ASSEMBLY TYPES - CONT.

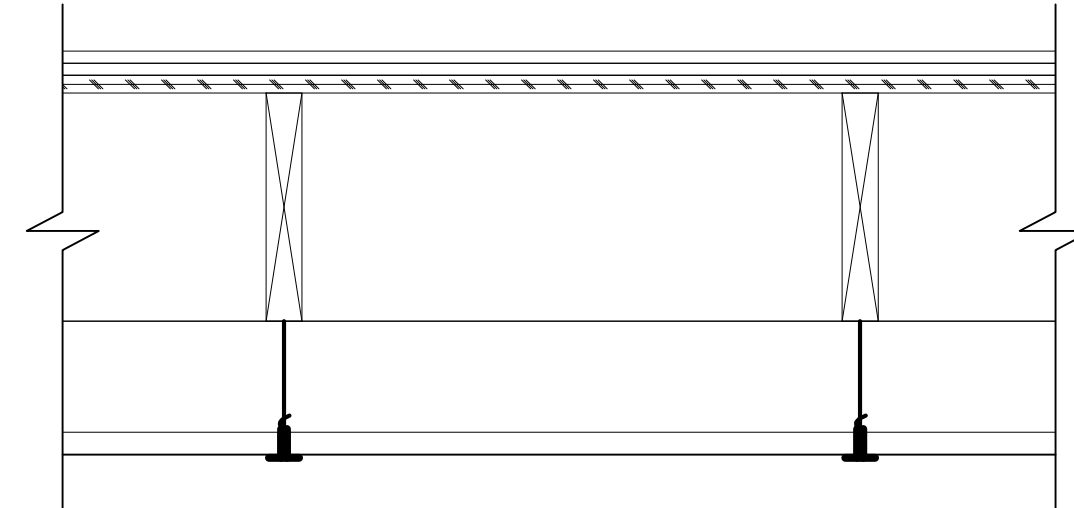
GRAPHIC DESCRIPTION		DESCRIPTION			
		PLUMBING CHASE WALL <ul style="list-style-type: none"> 5/8" MOISTURE RESISTANT GYPSUM WALLBOARD 5-1/2", LIGHT GAUGE METAL STUDS @ 16" O.C. 5/8" MOISTURE RESISTANT GYPSUM WALLBOARD 			
TYPE					
W9	FIRE RATING	UL NUMBER	STC RATING	R-VALUE	
	N/A	N/A	N/A	N/A	

GRAPHIC DESCRIPTION		DESCRIPTION			
		<ul style="list-style-type: none"> 5/8" GYPSUM BOARD - TYPE FC30 (PAINTED) 20 GAUGE RESILIENT FURRING CHANNELS @ 16" O.C. 3-1/2", LIGHT GAUGE METAL STUDS @ 16" O.C. 3-1/2" FIBERGLASS INSULATION 5/8" GYPSUM BOARD (SEE FINISH SCHEDULE FOR WALL FINISH MATERIAL AND SUBSTRATE REQUIREMENTS) 			
TYPE					
W10	FIRE RATING	UL NUMBER	STC RATING	R-VALUE	
	1/2-HR	U407	48	N/A	

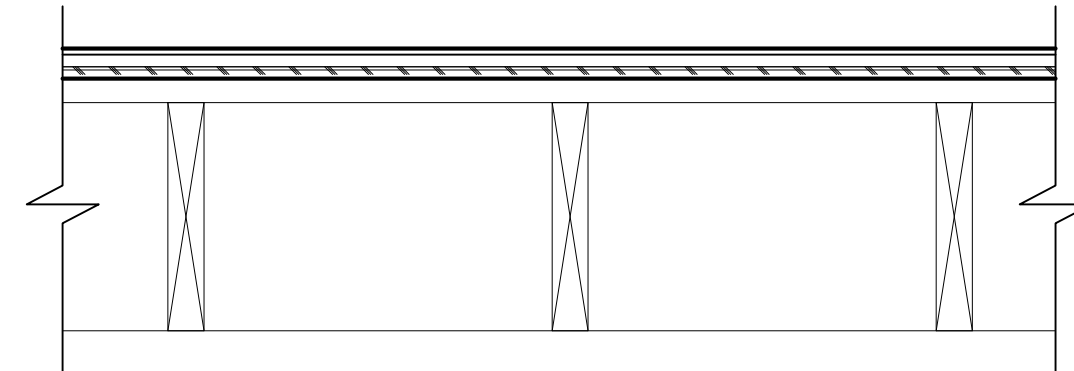
GRAPHIC DESCRIPTION		DESCRIPTION			
		FURRED PLUMBING CHASE WALL <ul style="list-style-type: none"> 5/8" MOISTURE RESISTANT GYPSUM WALLBOARD (SEE FINISH SCHEDULE FOR WALL FINISH MATERIAL AND SUBSTRATE REQUIREMENTS) 1-1/4", 20 GA HAT CHANNELS @ 16" O.C. 5/8" GYPSUM WALLBOARD 5-1/2", LIGHT GAUGE METAL STUDS @ 16" O.C. 5/8" GYPSUM WALLBOARD (PAINTED) 			
TYPE					
W11	FIRE RATING	UL NUMBER	STC RATING	R-VALUE	
	N/A	N/A	N/A	N/A	

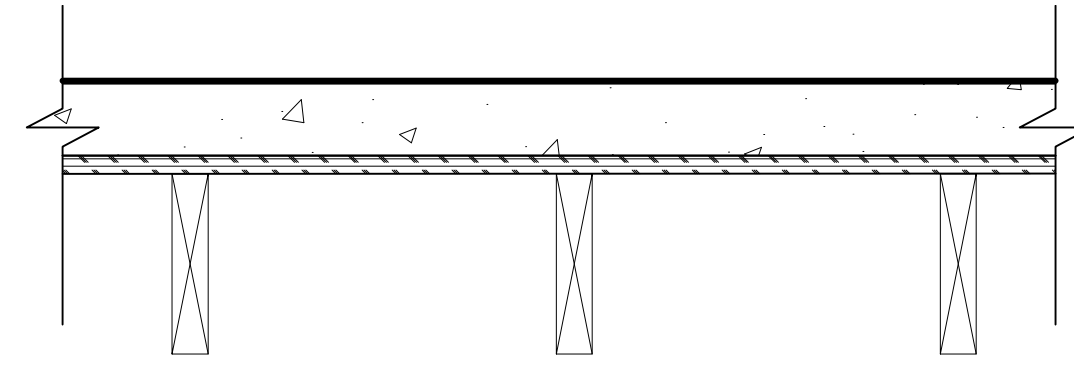
CEILING ASSEMBLY TYPES

GRAPHIC DESCRIPTION		DESCRIPTION			
		<ul style="list-style-type: none"> EXISTING FINISHED FLOOR EXISTING SUBFLOORING EXISTING WOOD JOISTS EXISTING GYPSUM BOARD DRYWALL SUSPENSION SYSTEM 5/8" TYPE C GYPSUM BOARD PANEL 			
TYPE					
C1	FIRE RATING	UL NUMBER	STC RATING	R-VALUE	
	1 HOUR	L526 (SIM.)	-	N/A	

GRAPHIC DESCRIPTION		DESCRIPTION			
		<ul style="list-style-type: none"> EXISTING FINISHED FLOOR EXISTING SUBFLOORING EXISTING WOOD JOISTS SUSPENDED GRID AND ACOUSTICAL CEILING TILES 			
TYPE					
C2	FIRE RATING	UL NUMBER	STC RATING	R-VALUE	
	N/A	N/A	N/A	N/A	

FLOOR ASSEMBLY TYPES

GRAPHIC DESCRIPTION		DESCRIPTION			
		<ul style="list-style-type: none"> NEW FINISHED FLOOR MATERIAL (SEE FINISH SCHEDULE) NEW UNDERLAYMENT & SUBFLOOR EXISTING FLOOR SHEATHING - TOWELED W/ CEMENTITIOUS LEVELING COMPOUND EXISTING WOOD FRAMED FLOOR STRUCTURE 			
TYPE					
F1	FIRE RATING	UL NUMBER	STC RATING	R-VALUE	
	N/A	N/A	N/A	N/A	

GRAPHIC DESCRIPTION		DESCRIPTION			
		<ul style="list-style-type: none"> RESILIENT SHEET FLOORING 3" CONCRETE TOPPING 3/4" PLYWOOD 2x8 WOOD JOISTS @ 16" O.C. 			
TYPE					
F2	FIRE RATING	UL NUMBER	STC RATING	R-VALUE	
	N/A	N/A	N/A	N/A	