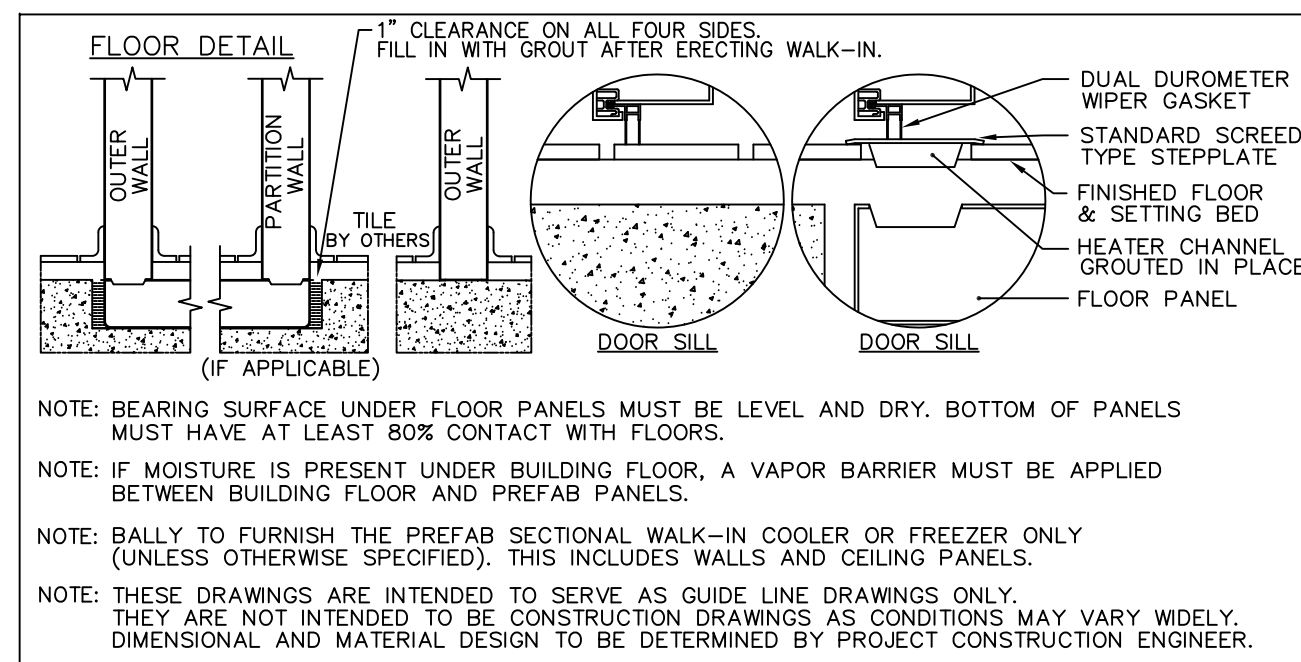


— PLAN VIEW A —

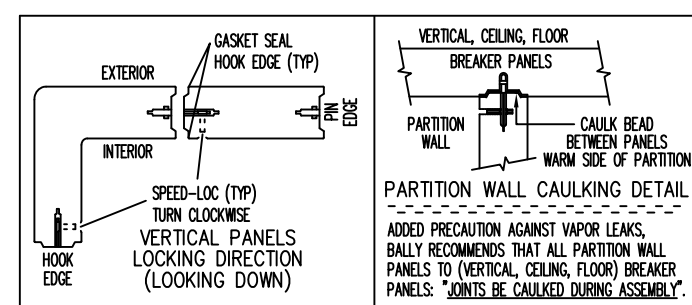
SCALE: 1/2" = 1' - 0"



NOTE: BEARING SURFACE UNDER FLOOR PANELS MUST BE LEVEL AND DRY. BOTTOM OF PANELS MUST HAVE AT LEAST 80% CONTACT WITH FLOORS.
 NOTE: IF MOISTURE IS PRESENT UNDER BUILDING FLOOR, A VAPOR BARRIER MUST BE APPLIED BETWEEN BUILDING FLOOR AND PREFAB PANELS.
 NOTE: BALLY TO FURNISH THE PREFAB SECTIONAL WALK-IN COOLER OR FREEZER ONLY (UNLESS OTHERWISE SPECIFIED). THIS INCLUDES WALLS AND CEILING PANELS.
 NOTE: THESE DRAWINGS ARE INTENDED TO SERVE AS GUIDE LINE DRAWINGS ONLY. THEY ARE NOT INTENDED TO BE CONSTRUCTION DRAWINGS AS CONDITIONS MAY VARY WIDELY. DIMENSIONAL AND MATERIAL DESIGN TO BE DETERMINED BY PROJECT CONSTRUCTION ENGINEER.

GENERAL NOTES

- NOTE: DX-01 DOOR PANEL IS PROVIDED WITH AN EXTERIOR ALARM COMMUNICATING TO COMPONENTS INSTALLED ON AN INTERIOR DOOR. FIELD INSTALLED INTERCONNECTING WIRING IS REQUIRED FOR COMMUNICATION BETWEEN THE ALARM AND INTERIOR DOOR. FINAL CONNECTION TO BE COMPLETED IN FIELD BY ELECTRICIAN. (REFER TO THE ALARMS MANUFACTURER MANUAL FOR PROPER FIELD CONNECTION)
- NOTE: BALLY TO FURNISH (2) K1810 48" LED LIGHTS. LIGHTS INSTALLED AND WIRED BY OTHERS.
- NOTE: BALLY TO FURNISH EW CLOSURE TRIM. PLEASE ADVISE SIZE AND QUANTITY. ALL FASTENERS AND INSTALLATION BY OTHERS.



BALLY FLOOR PANEL GUIDELINES
 RELATIVE LOAD (UNIFORMLY DISTRIBUTED)
 MOBILE EQUIPMENT (DOLLIES OR CARTS)
 BALLY FLOOR PANELS MUST BE REINFORCED WITH 1/2" X 1/2" X 1/2" ALUMINUM DIMOND TREAD OVERLAY IS ALSO AN OPTION.
 REINFORCEMENT TOP OF REINFORCED CONCRETE MUST BE POLISHED OVER BALLY FLOOR PANELS.
 AIR GAP/CIRCULATION RECOMMENDATION:
 BALLY RECOMMENDS A 2" GAP BETWEEN WALK-IN DOOR PANELS AND EXISTING BUILDING WALLS FOR PROPER AIR CIRCULATION. IT IS ALSO RECOMMENDED THAT AIR EXCHANGE/CIRCULATION BE PROVIDED FOR WALK-IN TRIM AND WHERE AN ENCLOSED AREA.
 S - ELECTRICAL CONNECTION

THIS DRAWING IS TO BE USED FOR "APPROVAL ONLY".
 -> DO NOT USE THIS DRAWING FOR INSTALLATION!
 EVERY SHIPPED ORDER WILL HAVE A FINALIZED "AS-BUILT" DRAWING.

TILE THICKNESS
 TO STOP TILE CRACKS OVER BALLY FLOORS, BALLY RECOMMENDS MINIMUM 2" TILE AND SETTING BED.

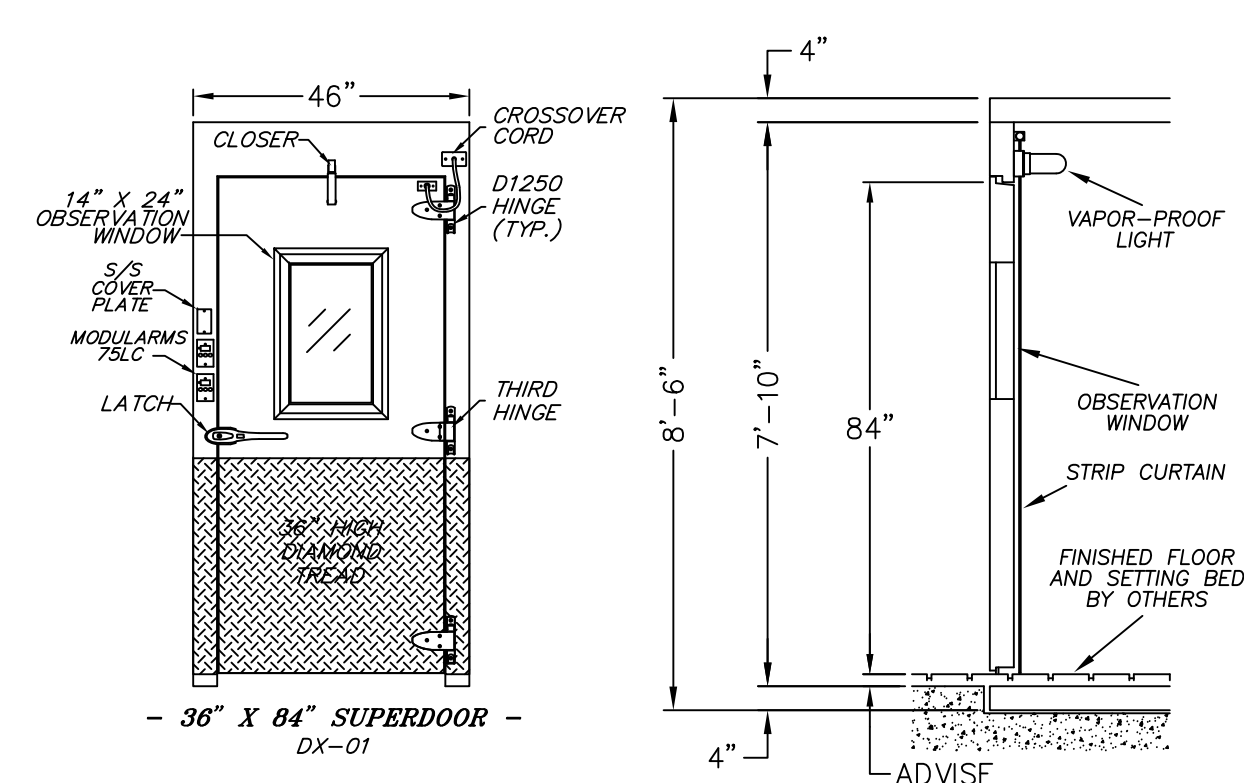
SPECIFICATIONS
 14'-5 1/2" X 7'-9" X 8'-6"

- INSTALLATION
- INDOOR
 - LOADING HEIGHT - AT LEAST 18" OF OPEN SPACE MUST BE MAINTAINED BETWEEN TOP OF PRODUCT AND CEILING PANELS
- INSULATION
- FOAMED IN-PLACE POURED URETHANE
- EXTERIOR FINISH
- EMBOSSED WHITE GALVANIZED
- INTERIOR FINISH
- EMBOSSED WHITE GALVANIZED
- FLOOR FINISH
- (INTERIOR) 16GA. GALVANIZED STEEL
 - (EXTERIOR) EMBOSSED WHITE GALVANIZED
- DOORS/ACCESSORIES
- (2) 36" X 84" RIGHT SWING HINGED WALK-IN DOOR
 - SUPERDOOR: 3RD HINGE, DT INT & EXT 36"H
 - 14" X 24" HEATED OBSERVATION WINDOW
 - EXTERIOR CROSSOVER CORD
 - VAPOR-PROOF LED LIGHT
 - MODULARM 75LC W/PANIC BUTTON, MOTION DETECTOR, MAG CONTACTS
- REFRIGERATION - BY BALLY (CONDENSING UNIT MOUNTED OUTDOORS)

QTY	H/P	PRST	MODEL NUMBER	POWER SUPPLY	COMPRESSOR	FAN	TOTAL	AMPS	MCA	MAX	TEMP
1	0.8	R404	BLP2009-MA-SV-S2BEC	208-230/1/60	6.1	33.7	1	1.7		9.3	15 C
1	1.0	R404	BLP1044E-SV-S2BEC	208-230/1/60	9.9	59.2	1	1.7		14.1	20 F
1	1.0	R404	BLP1044E-SV-S2BEC	208-230/1/60	1	1/15	0.6	1060	4.6	3.8	15 F

- ALL CONDENSATION DRAIN LINES MUST BE SLOPED AT LEAST 1:12. 1" MIN. INSTALLATION
- FREEZER CONDENSATION DRAIN LINES MUST BE HEATED, INSULATED AND TRAPPED INDIVIDUALLY, BY OTHERS
- (2) HEATED AND INSULATED RECEIVERS
- (2) WIND GUARDS

NOTE
 SMARTVAP REFRIGERATION REQUIRES TWO SEPARATE POWER SOURCES; ONE TO THE CONDENSING UNIT AND ONE TO THE SMARTVAP EVAPORATOR.



SECTION VIEW THRU ENTRANCE DOOR
 SCALE: 3/8" = 1' - 0" SHEET 1 OF 1

RESTRICTED, CONFIDENTIAL DOCUMENT.
 THIS DRAWING AND ALL INFORMATION SHOWN HEREON ARE THE EXCLUSIVE PROPERTY OF BALLY REFRIGERATED BOXES INC. ARE SUBMITTED ONLY ON A CONFIDENTIAL BASIS. THE RECIPIENT AGREES NOT TO REPRODUCE THE DRAWING, TO RETURN IT UPON REQUEST, AND THAT NO DISCLOSURE OF THE DRAWING OR THE INFORMATION SHOWN HEREON WILL BE MADE TO A THIRD PARTY WITHOUT PRIOR WRITTEN CONSENT FROM BALLY REFRIGERATED BOXES INC.

SIGNED APPROVAL
 SIGNED _____
 DATE _____
 PLEASE READ
 THIS DRAWING HAS BEEN CAREFULLY CHECKED BY OUR DRAFTING DEPARTMENT. HOWEVER, ERRORS OF INTERPRETATION CAN OCCUR. THEREFORE, BEFORE YOU RETURN DRAWING MARKED "APPROVED", BE CERTAIN THAT YOU CHECK THEM CAREFULLY.
 NOTE - THIS ORDER WILL NOT BE SCHEDULED FOR PRODUCTION UNTIL RECEIPT OF APPROVED DRAWINGS BY BALLY.

IMPORTANT - PLEASE READ
 THESE DRAWINGS ARE NOT TO BE CONSIDERED AS APPROVED BY LOCAL OR STATE BUILDING AUTHORITIES. THEY HAVE BEEN PREPARED SOLELY FOR THE GUIDANCE OF REGISTERED ARCHITECTS AND ENGINEERS AND FOR THE ASSISTANCE OF LOCAL INSTALLERS. IT IS THE RESPONSIBILITY OF THE PROJECT ARCHITECT OR ENGINEER TO ASSURE THE BUILDING DESIGN MEETS LOCAL CODE REQUIREMENTS. THIS INCLUDES STRUCTURAL DESIGN AS WELL AS ANY WORK PERFORMED BY THE GENERAL CONTRACTOR. BALLY REFRIGERATED BOXES INC. IN PREPARING THESE DRAWINGS AND SPECIFICATIONS, DOES NOT ASSUME ANY RESPONSIBILITY FOR THE SUCCESSFUL COMPLETION OR USAGE OF THE STRUCTURE DESCRIBED.
 THE DRAWINGS AND SPECIFICATIONS DESCRIBE A BUILDING ASSEMBLED FROM BALLY PANELS INSULATED WITH URETHANE "FOAMED-IN-PLACE". THE SIZE AND SHAPE IS THAT WHICH MOST CLEARLY MEETS DIMENSIONS SUBMITTED BY THE USER.
 BALLY REFRIGERATED BOXES INC. PROVIDES PANELS FREQUENTLY SPECIFIED BY OTHERS, AND IS NOT RESPONSIBLE FOR THE SELECTION OR RECOMMENDATION BY OTHERS OF THE PANEL FINISH FOR ANY BUILDING OR WALK-IN APPLICATION.

Bally REFRIGERATED BOXES INC.
 BALLY (DC OFFICE) 135 LITTLE NINE DRIVE, WINDHEAD CT, NC 28583, PHONE: (252) 242-2629, FAX: (252) 242-0384
 BALLY (PA OFFICE) 20 NORTH FRONT ST. (SUITE 8), BALLY PA 19003, PHONE: (610) 702-2210, FAX: (610) 702-2211

FOR SALVATION ARMY PORTLAND, ME

2	REVISED DOOR LOC.	DEF	07/29/16	DRAWING NUMBER	4122215AC	DATE	12/29/15
1	REVISED BOX SIZE, RFG, DOOR SWING, NOTES.	DEF	07/22/16	DRAWN BY	RCB	ORDER NUMBER	4122215
REV	DESCRIPTION	BY	DATE	DATE LBL'D	CHK'D BY		

Bild Architecture
 PO Box 8235
 Portland, ME 04104
 207.408.0168
 evan@bildarchitecture.com

Foodservice Consultant
TJM CONSULTING INC.
 TJM Consulting, Inc.
 273 Main Street, Suite 5
 Yarmouth, Maine 04096
 (207) 215-4736

PROJECT NO. 15031
 PROJECT NAME SALVATION ARMY ARC PORTLAND, ME

REVISIONS

1	
2	
3	
4	
5	

DRAWN BY Construction Document
 TJM SHEET TITLE
FOODSERVICE EQUIPMENT COOLER/FREEZER DETAIL

ISSUE DATE 10/25/16
 SHEET SCALE As Noted