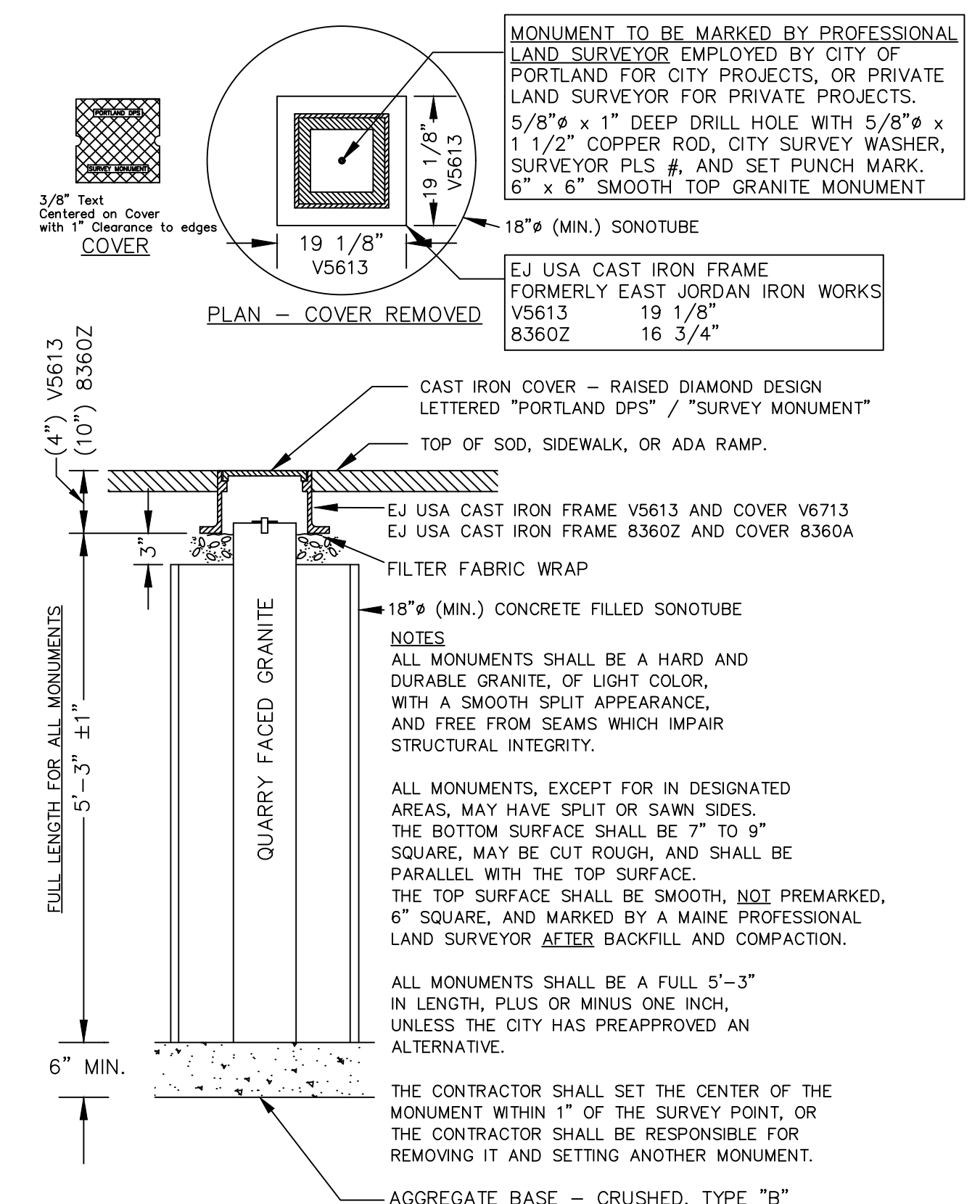
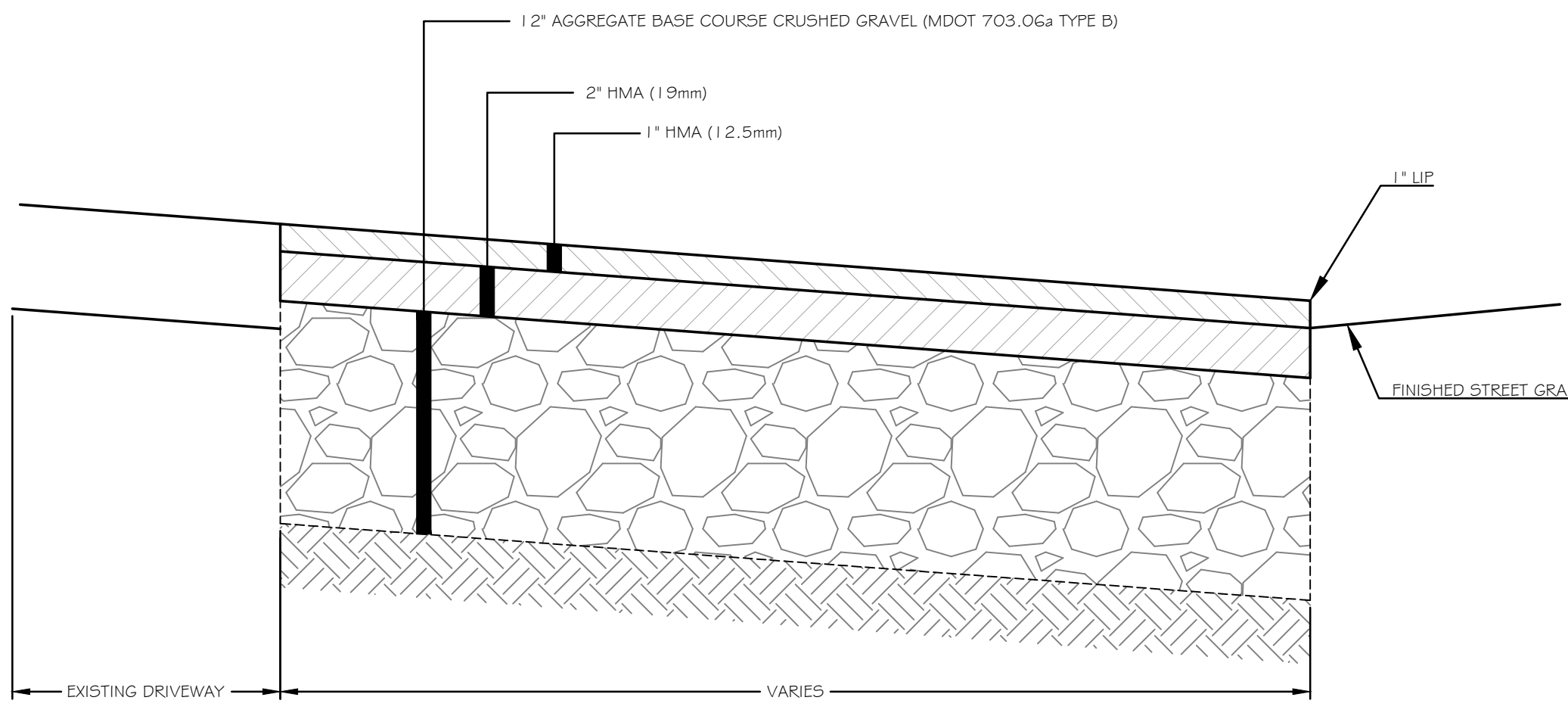
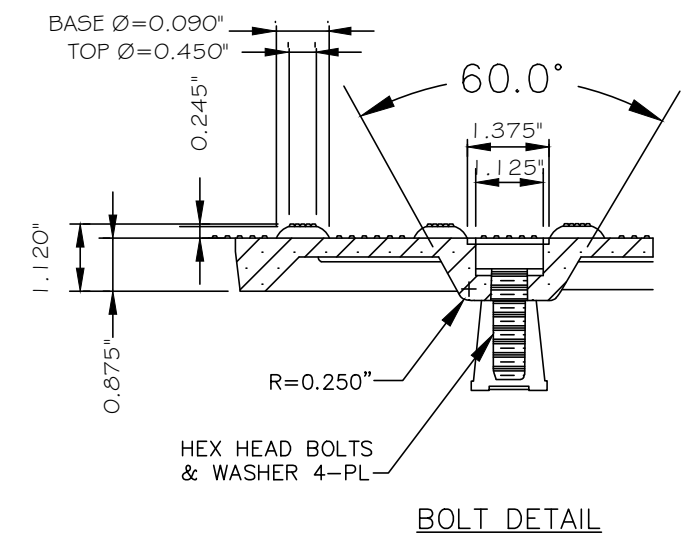


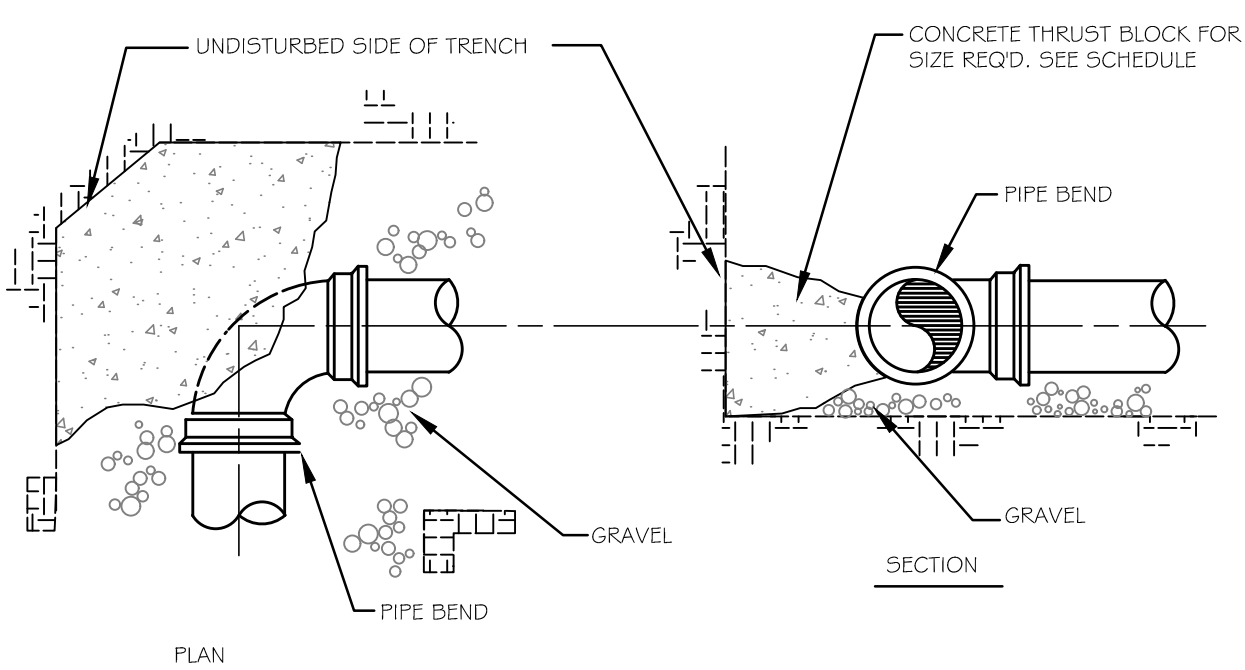
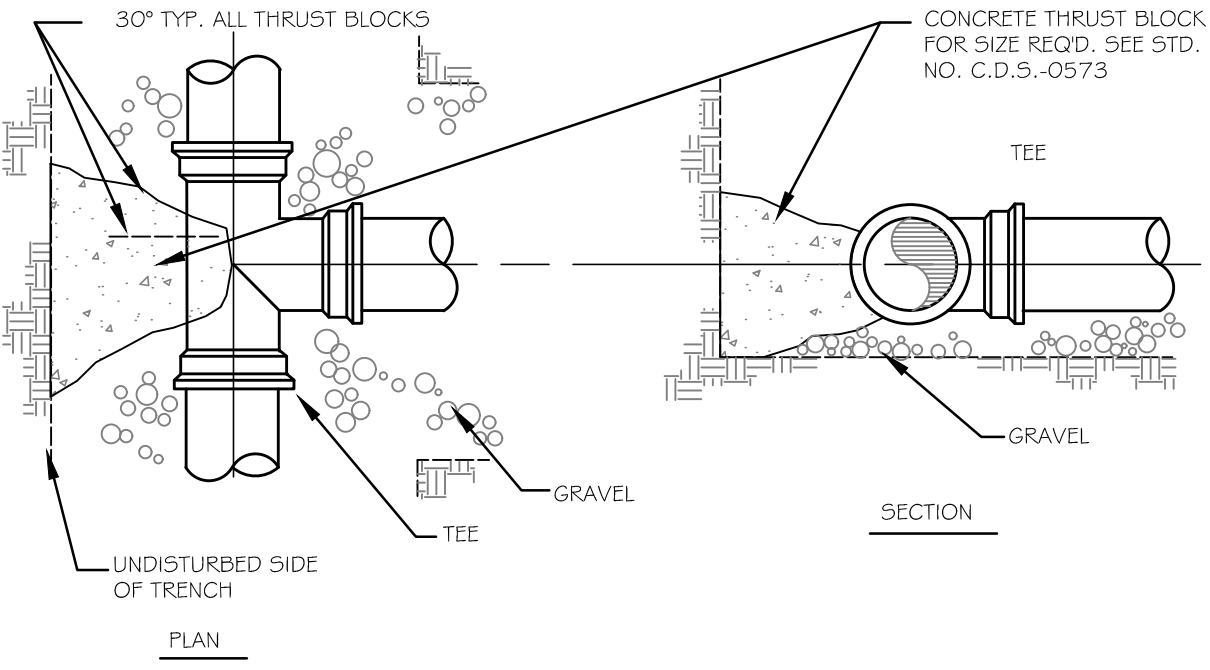
- NOTES:**
1. COMPOSITE WET SET (REPLACEABLE) DETECTABLE WARNING PANELS SHALL BE AS MANUFACTURED BY ADA SOLUTIONS, INC. (WWW.ADATILE.COM), OR APPROVED EQUAL.
 2. CAST IN PLACE CONCRETE SHALL MEET SPECIFICATIONS FOR MAINE D.O.T. CLASS A STRUCTURAL CONCRETE. MINIMUM COMPRESSIVE STRENGTH 4,000 PSI. THE CONCRETE SHALL BE SEALED PRIOR TO SETTING PANELS. THE EXPOSED CONCRETE BORDER SHALL RECEIVE A GROOVED EDGE BETWEEN THE PANEL AND CONCRETE, ALONG WITH A UNIFORM BROOM FINISH PERPENDICULAR TO THE FLOW OF PEDESTRIAN TRAFFIC.
 3. TRUNCATED DOMES SHALL BE ALIGNED IN ROWS, PARALLEL AND PERPENDICULAR TO THE PREDOMINANT DIRECTION OF TRAVEL. TRUNCATED DOME BRICKS AND GRANITE PAVERS ARE NOT ALLOWED.
 4. FOR ALL DETECTABLE WARNING PANELS (EXCEPT AS SPECIFIED IN FIGURE 1-7A AND TECHNICAL MANUAL SECTION 1.8.4), FEDERAL YELLOW COLORED (#33538) PANELS SHALL BE USED. FOLLOW MANUFACTURER'S INSTRUCTIONS FOR INSTALLATION.
 5. SIZE: THE DETECTABLE WARNING PANEL(S) SHALL EXTEND 24 INCHES MINIMUM IN THE DIRECTION OF TRAVEL AND THE FULL WIDTH OF THE CURB RAMP, LANDING, OR BLENDED TRANSITION TO THE STREET.
 6. ORIENTATION: THE DETECTABLE WARNING PANEL SHALL BE LOCATED SO THAT THE EDGE NEAREST THE CURB LINE IS 6 INCHES MINIMUM AND 8 INCHES MAXIMUM FROM THE CURB LINE. THE PANEL SHALL BE ORIENTED TO THE DIRECTION OF TRAVEL AS IDENTIFIED BY THE POINT OF EGRESS.



1 SIDEWALK RAMP DETECTABLE WARNING PANEL
C401 NOT TO SCALE

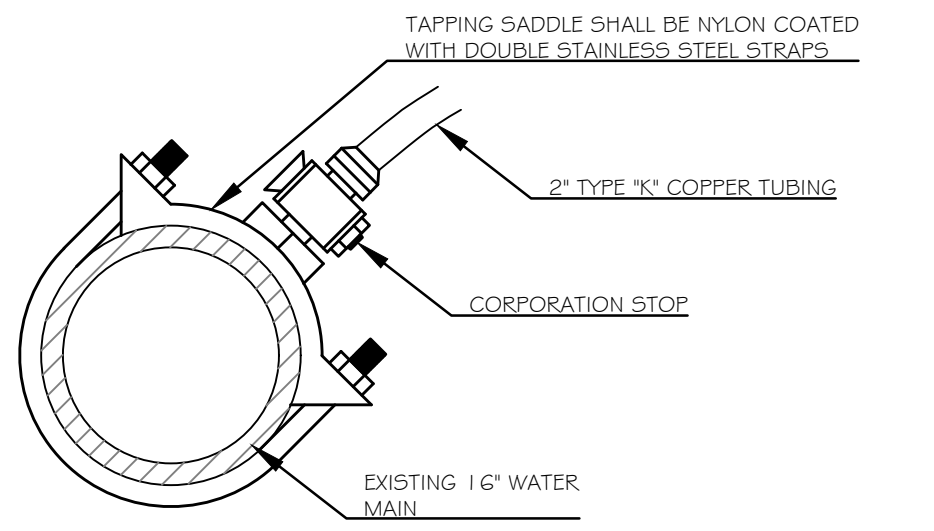
2 BITUMINOUS DRIVEWAY APRON DETAIL
C401 NOT TO SCALE

3 GRANITE STREET MONUMENT
C401 NOT TO SCALE



THRUST BLOCK SCHEDULE

SIZE REQUIREMENTS FOR CONCRETE THRUST BLOCKS					
BEARING ON UNDISTURBED SOIL (SQUARE FT.)					
FITTINGS	90° BENDS	45° BENDS	TEES & PLUGS	HYDRANTS	
PIPE SIZE	4"	2.0	1.0	1.0	N/A
	6"	3.0	2.0	2.0	6.0
	8"	5.0	3.0	4.0	N/A



4 THRUST BLOCK PLACEMENT AT TEE(S)

5 THRUST BLOCK PLACEMENT AT BEND(S)

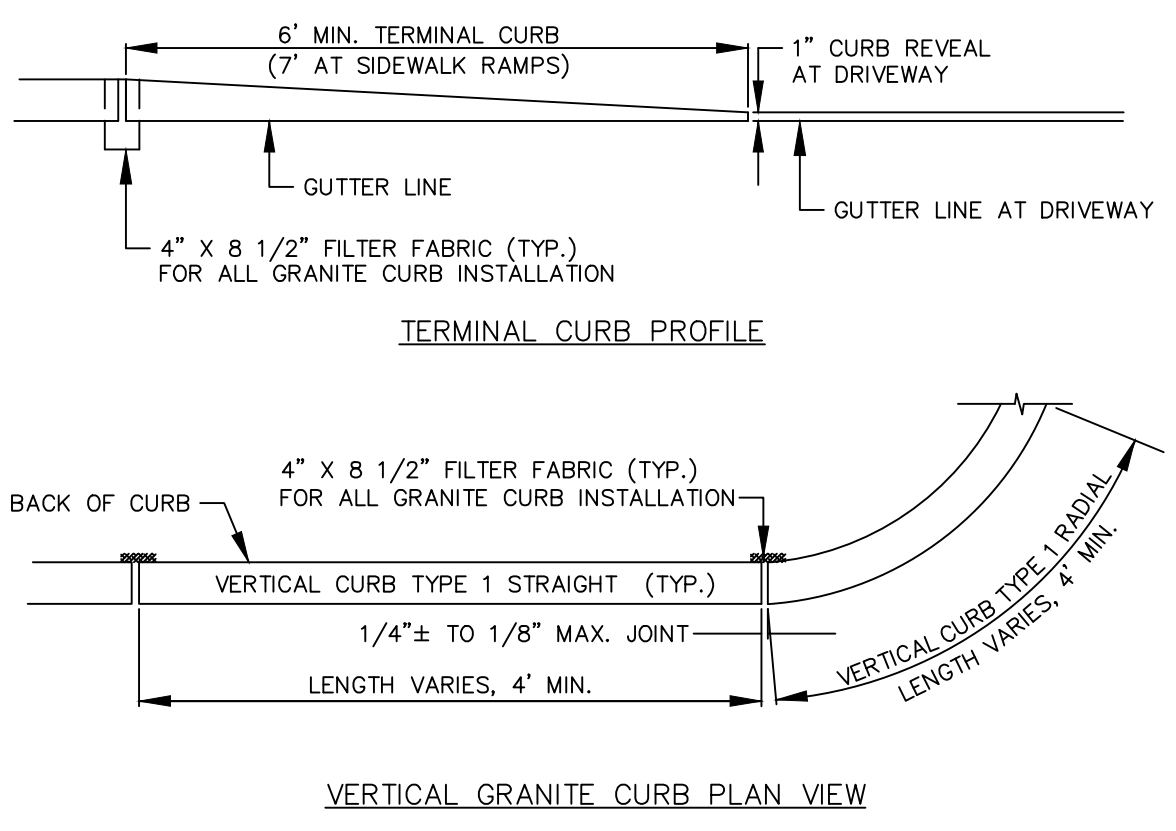
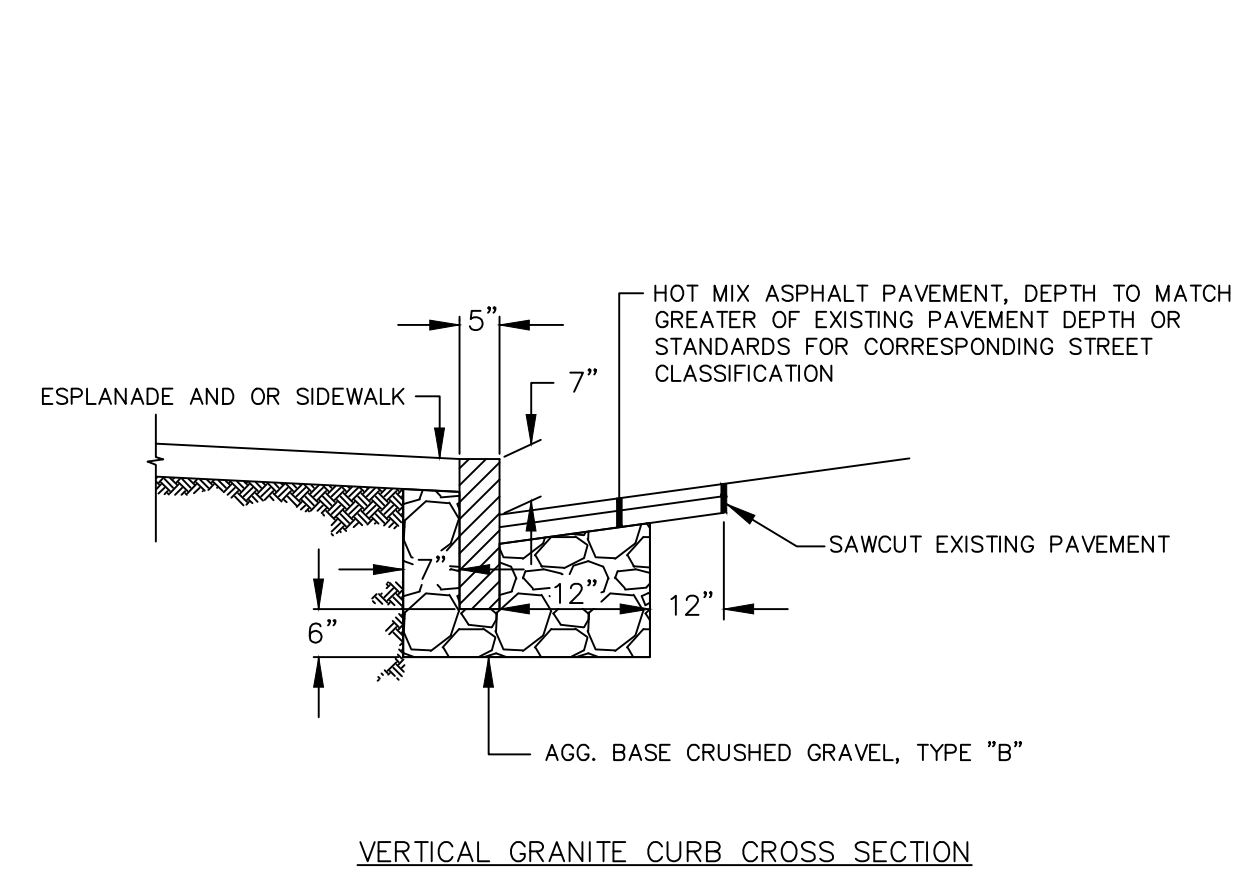
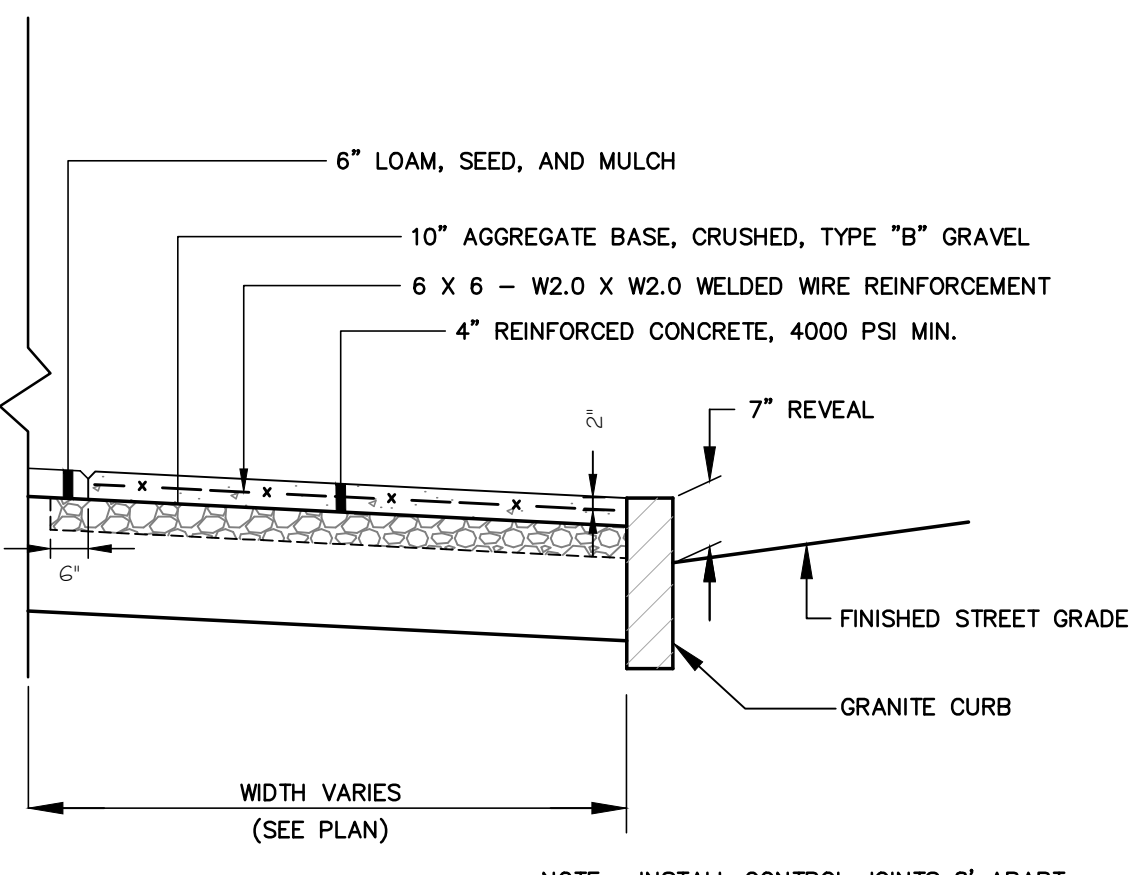
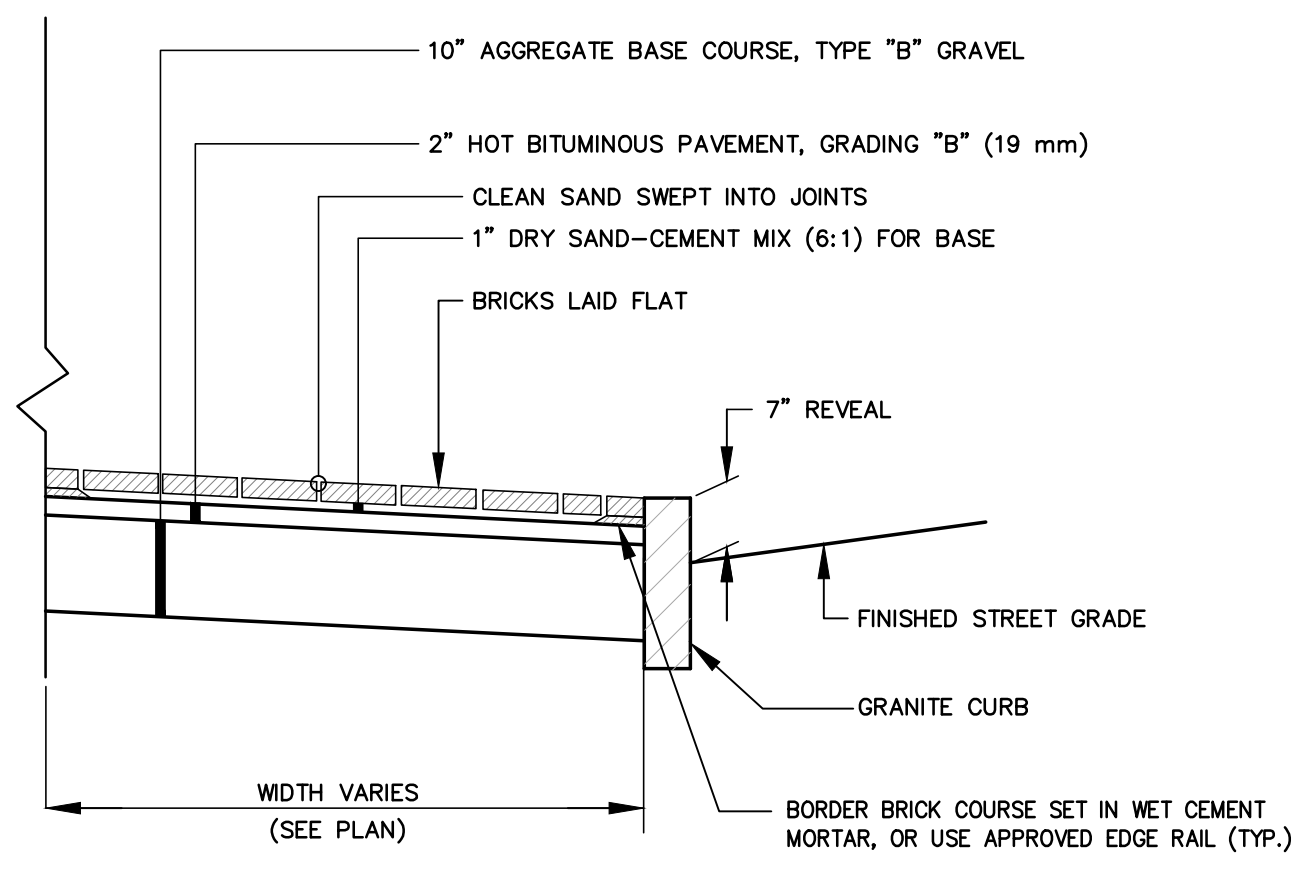
6 THRUST BLOCK SCHEDULE

7 STANDARD CORPORATION STOP DETAIL
C401 NOT TO SCALE

BRICKS TO BE USED:

NEW CONSTRUCTION (LANCASTER)
4"x8" PINE HALL PATHWAY PAVER BRICK; MFG. BY PINE HALL BRICK CO., MADISON, NORTH CAROLINA. LANCHANCE ITEM # 193623. PINE HALL PATHWAY PAVER BRICK.

REPAIR / MAINTENANCE TO EXISTING BRICK SIDEWALKS: (PREBLE)
VERMONT PAVER; SUPPLIED BY GAGNE AND SONS. SPECIFICATION NUMBER: 'VERMONT BACKER BRICK', ITEM NUMBER # VBBB



6 BRICK SIDEWALK WITH BITUMINOUS BASE
C401 NOT TO SCALE

7 REINFORCED CONCRETE SIDEWALK
C401 NOT TO SCALE

8 GRANITE CURB INSTALLATION IN EXISTING STREETS DETAIL
C401 NOT TO SCALE

