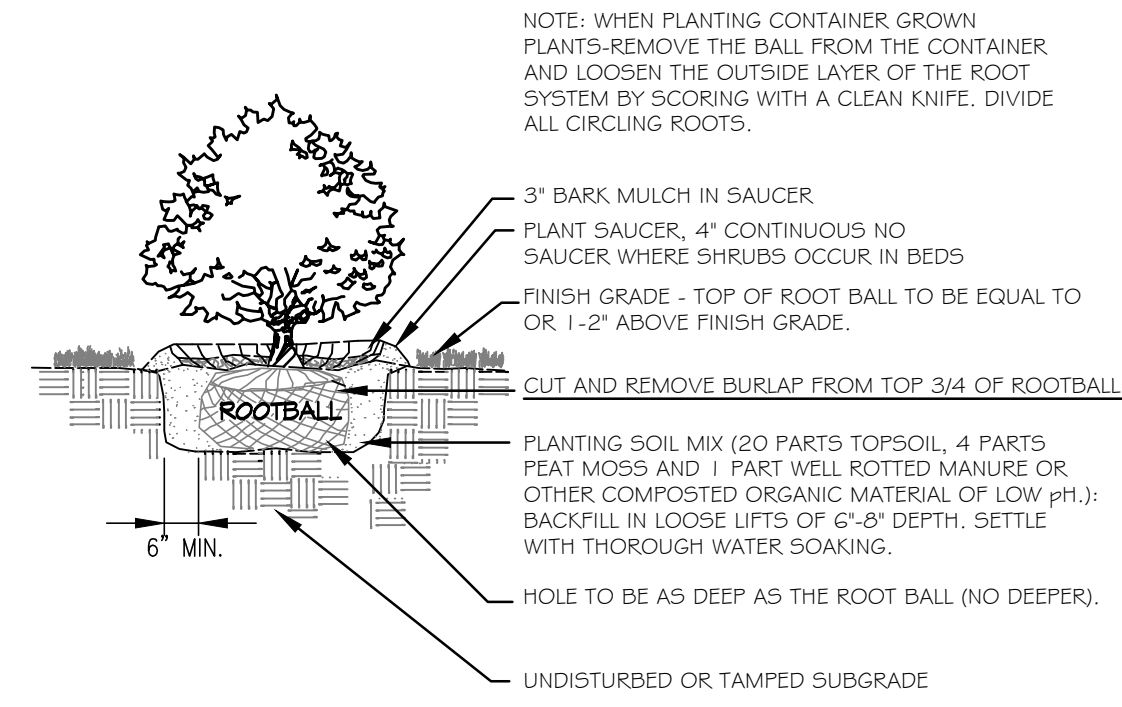
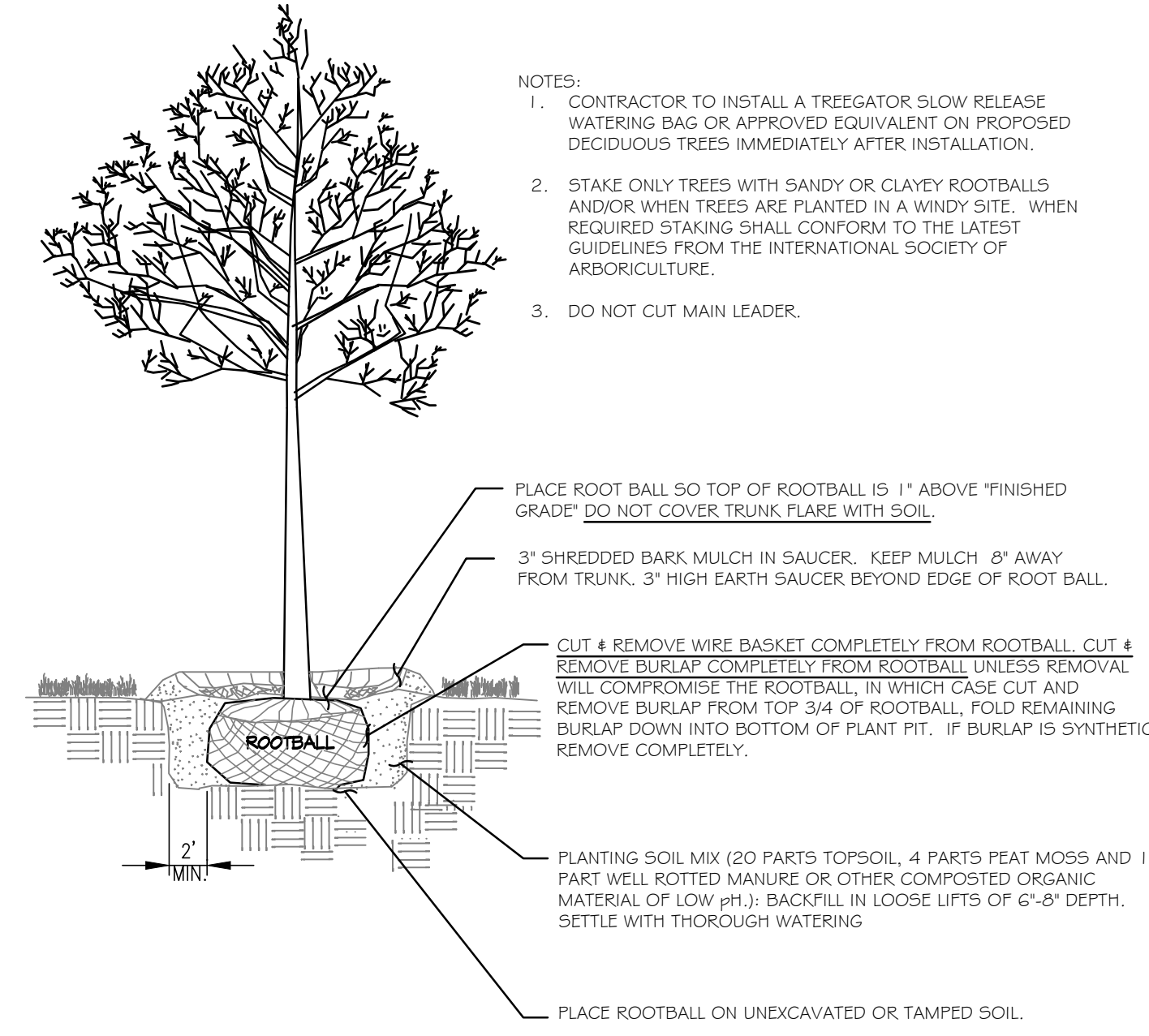


**1**  
C404 **LAWN INSTALLATION DETAIL**  
NOT TO SCALE

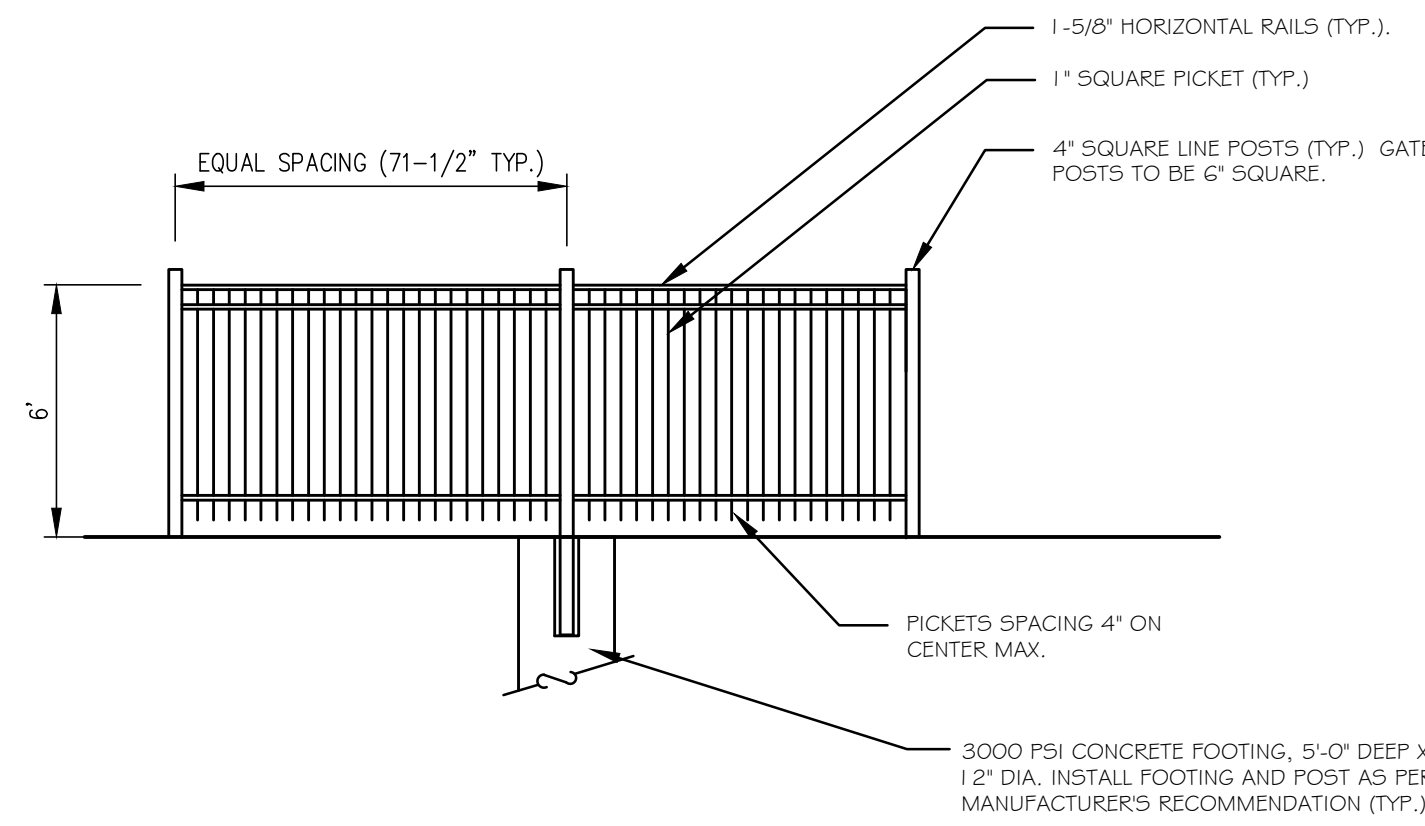


**2**  
C404 **SHRUB PLANTING DETAIL**  
NOT TO SCALE

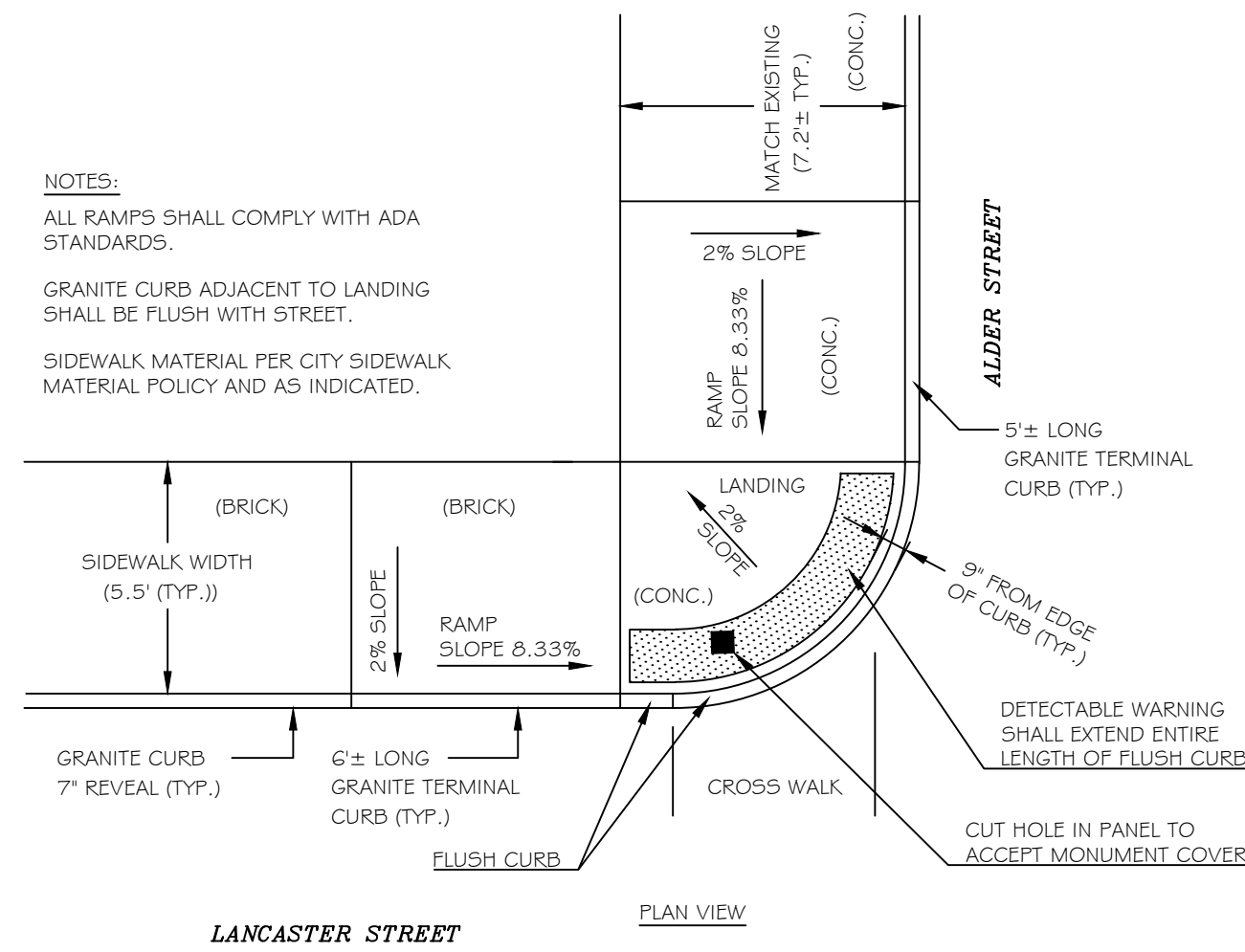


**3**  
C404 **DECIDUOUS TREE PLANTING DETAIL**  
NOT TO SCALE

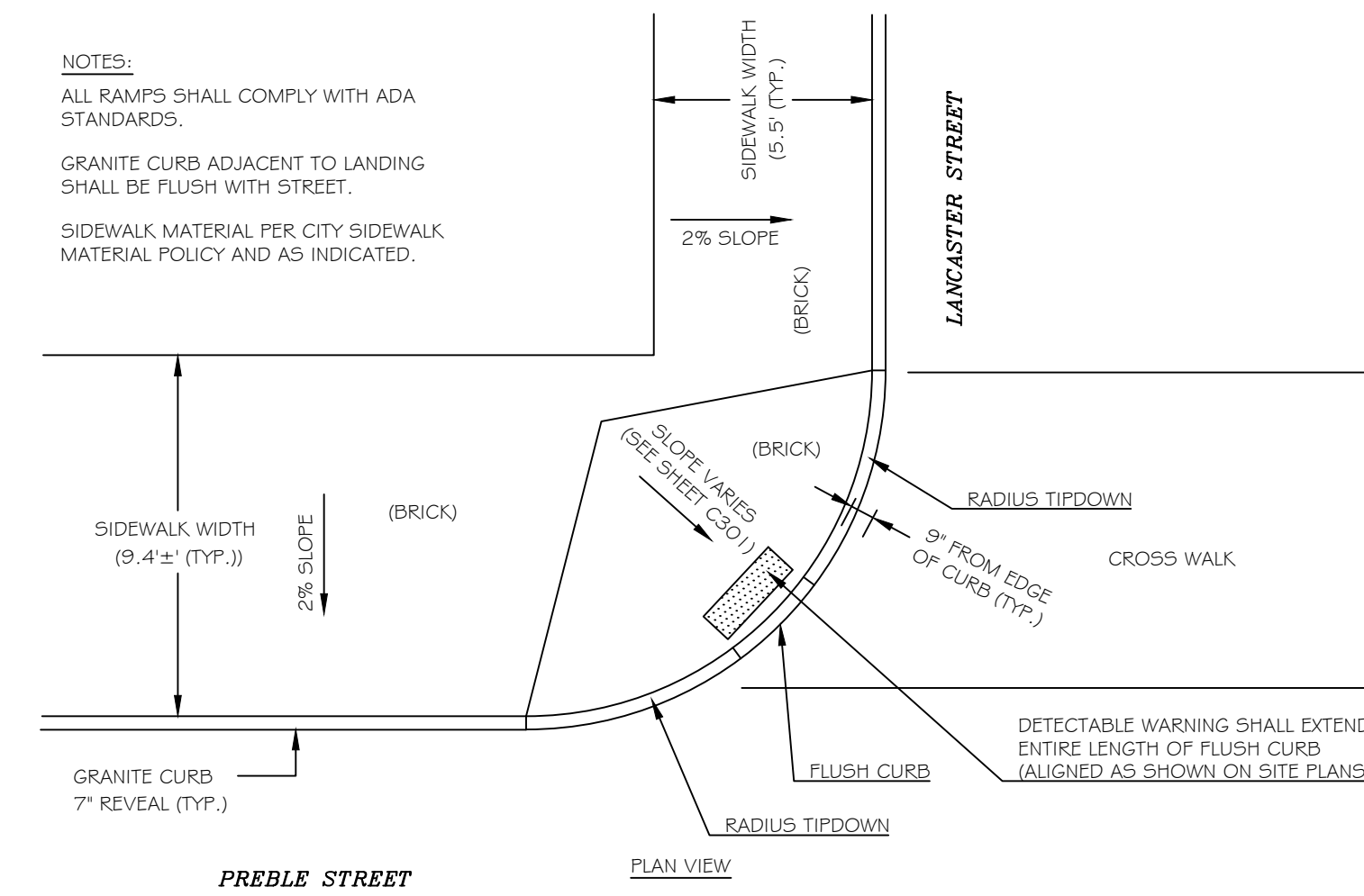
- NOTES:
1. "WROUGHT IRON" FENCE TO BE THE CP-1 STYLE, INDUSTRIAL GRAD, 72", BLACK IN COLOR, ALIGNED PICKETS AS MANUFACTURED BY JERITH ALUMINUM FENCES.
  2. FENCE TO BE SET PLUMB.
  3. CONTRACTOR TO PROVIDE LANDSCAPE ARCHITECT WITH SHOP DRAWINGS OF FENCE, POST LOCATIONS AND DOUBLE SWING GATE.
  4. FENCE FINISH TO BE A POLYESTER POWDER-COAT SYSTEM APPLIED BY THE MANUFACTURER.
  5. FENCE TO HAVE A LIFETIME WARRANTY AGAINST RUST AND DEFECTS, PAINT CRACKING, BUSTING, CHIPPING AND PEELING.
  6. CONTRACTOR TO PROVIDE HEAVY DUTY HARDWARE FOR A DOUBLE SWING GATE AND GATE LOCKING DEVICE TO BE REVIEWED AND APPROVED BY THE OWNER.
  7. FENCE FASTENERS TO BE STAINLESS STEEL.



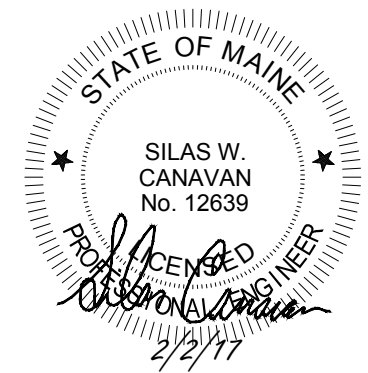
**4**  
C404 **FENCE AND GATE INSTALLATION DETAIL**  
NOT TO SCALE



**5**  
C404 **CURB RAMP DETAIL AT LANCASTER/ALDER CROSSWALK**  
NOT TO SCALE



**6**  
C404 **CURB RAMP DETAIL AT LANCASTER/PREBLE CROSSWALK**  
NOT TO SCALE



**Bild Architecture**  
PO Box 8235  
Portland, ME  
04104  
207.408.0168  
evan@bildarchitecture.com

**bild**  
ARCHITECTURE

**WALSH**  
ENGINEERING ARCHITECTURE, INC.  
One St. 207.653.9898 | www.walsh-inc.com  
Copyright © 2018

PROJECT NO.  
**15031**  
PROJECT NAME  
**SALVATION ARMY**  
PORTLAND, MAINE

REVISIONS

1	ADD 1\"/>
2	ADD 1\"/>
3	ADD 1\"/>
4	REVISED PER ADDENDUM #1
5	REVISED GAO LINE
6	FINAL PLANS TO CITY

**CONSTRUCTION DOCUMENTS**

DRAWN BY  
**SWC**  
SHEET TITLE  
Site Details

ISSUE DATE  
**2/2/17**  
SHEET SCALE  
N.T.S.

**C**

**404**