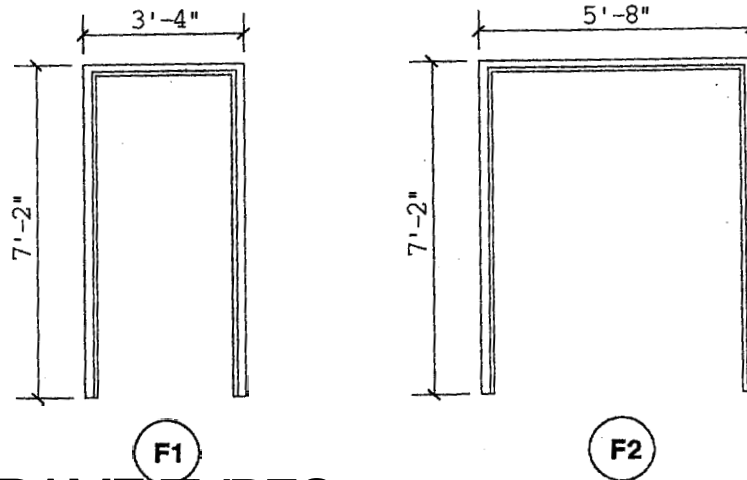
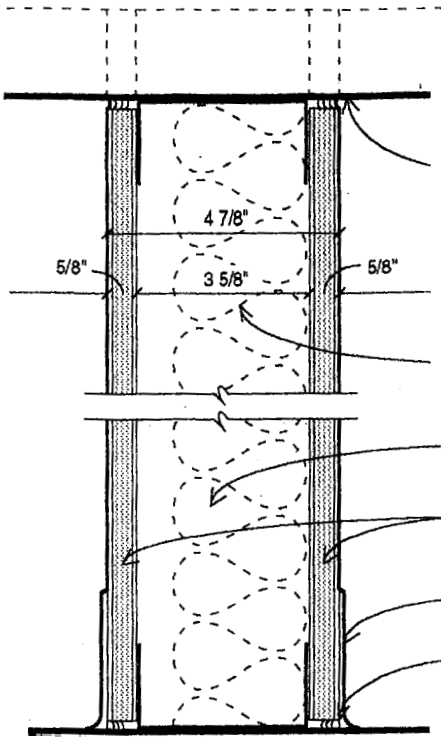


DOOR TYPES



FRAME TYPES



Unless noted otherwise, all partitions extend up to underside of deck. Provide slip track w/ 2" leg & scribe GWB to flutes and seal w/ acoustic sealant. Where partitions do not extend up to deck, brace to structure above ceiling.

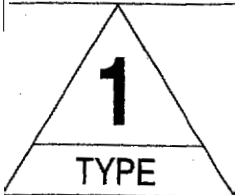
- Acoustic batts at Type 1A partition

3 5/8" metal studs @ 16" O.C.

5/8" FC GWB

See finish schedule for base type

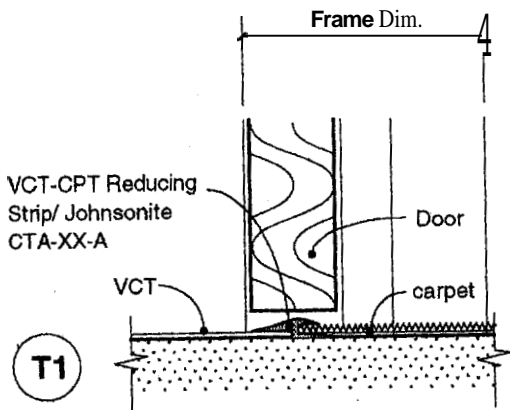
Acoustic sealant



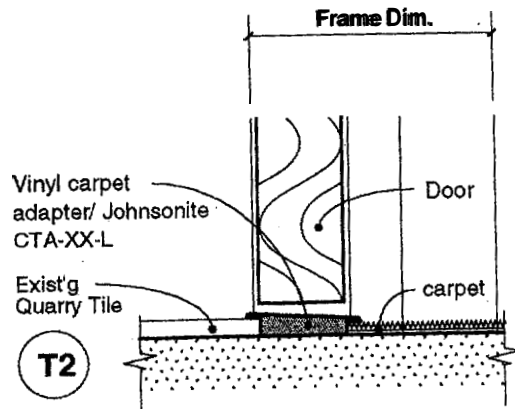
AS DRAWN



WITH ACOUSTIC BATT



T1



T2

THRESHOLD TYPES