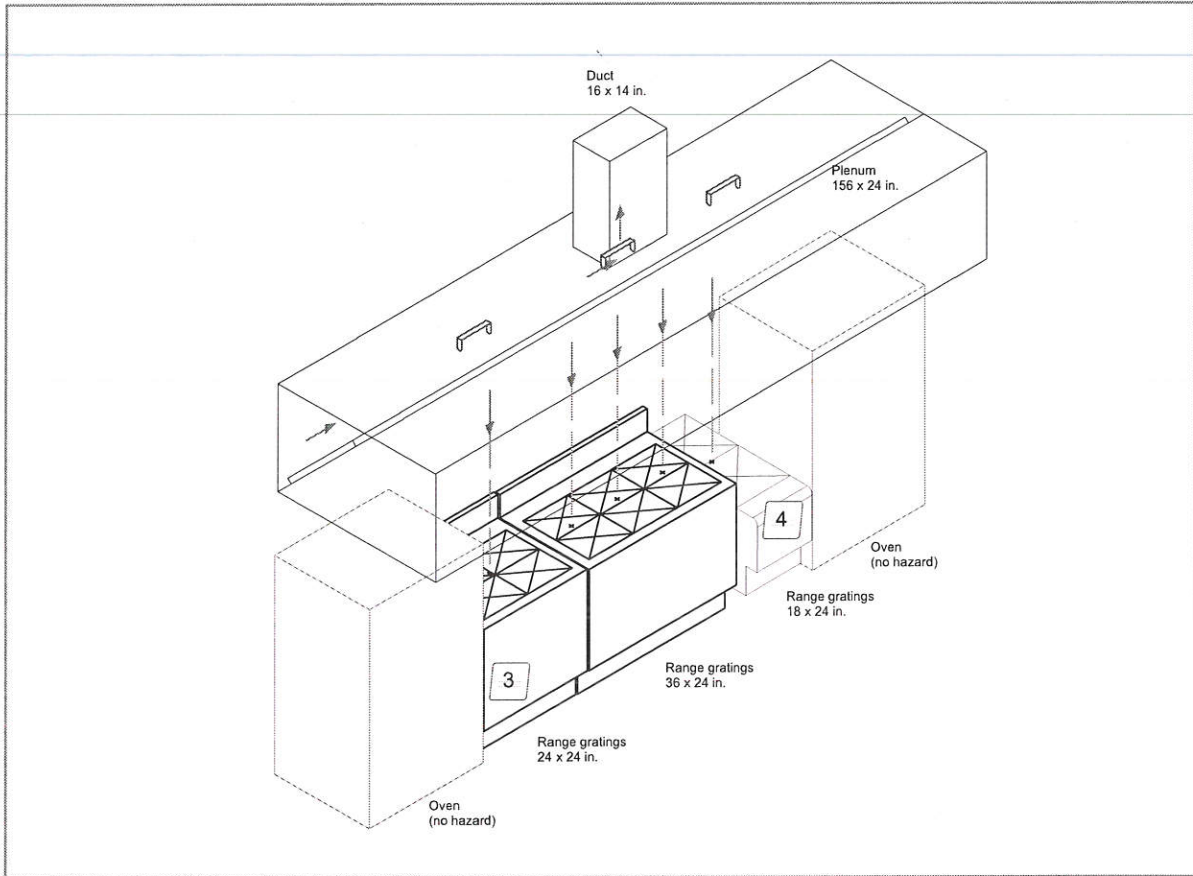




Install Date: 2016
 Fork Food Lab
 272 Lancaster Street
 Portland, ME 04101

All State Fire Equipment
 20C Del Carmine Street
 Wakefield, MA 01880
 Steve Keefe
 781-224-1001
 skeefe@lfpfire.com
 4612

Ansul R102 UL 300



Flow Summary:

Coverage	Overall Dimensions	Nozzle	Flows	Nozzle Location
Hood: Single Bank	156 x 54 in.	1N x2	2	2-4 in. from filter face, center of height dimension, aimed down filter length.
Duct: Square	16 x 14 in.	2W	2	2-8 in. into center of duct opening, aimed up
Range: 4 burners	24 x 30 in.	245	2	40-50 in., center of cooking surface, or 11 3/8 in. max to centerline of any gr ... See Note 3
Range: 6 burners	36 x 30 in.	1N x3	3	30-40 in., 0-10 in. from each burner centerline, aimed at midpoint
Range: 2 burners	18 x 30 in.	245	2	40-50 in., center of cooking surface, or 11 3/8 in. max to centerline of any gr ... See Note 4
Total Flow Points			11	