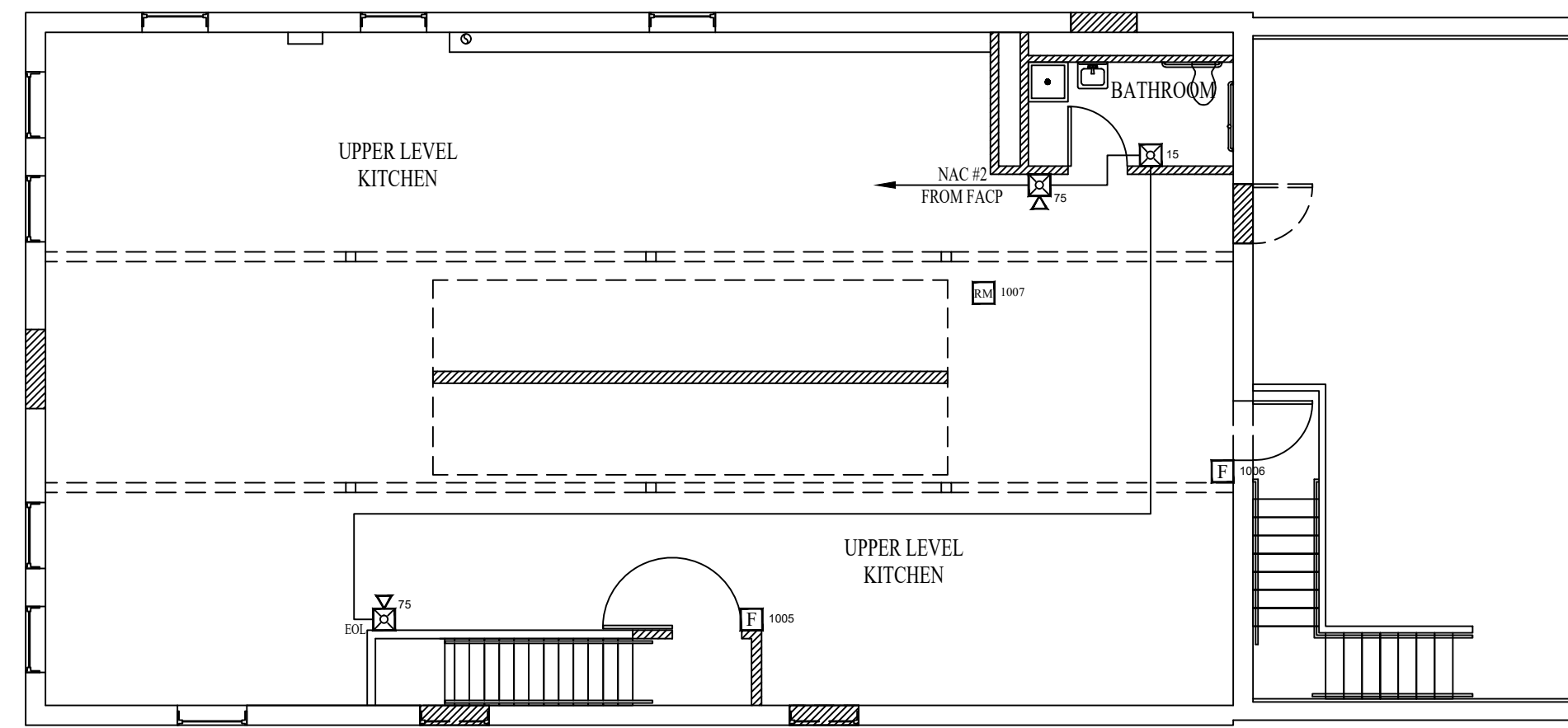


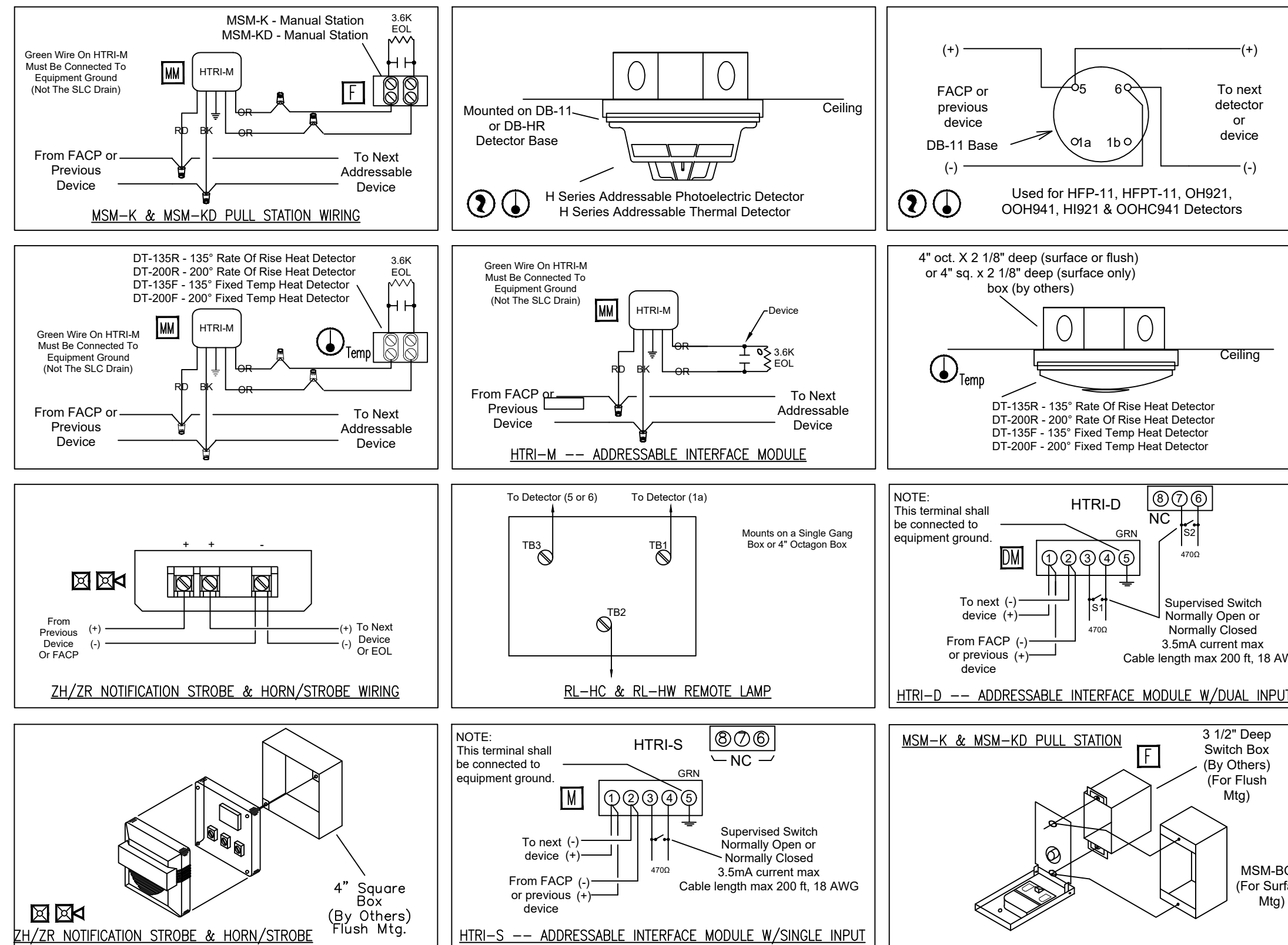
FIRE ALARM SYSTEM LAYOUT - 1ST FLOOR
SCALE: 1/8" = 1'



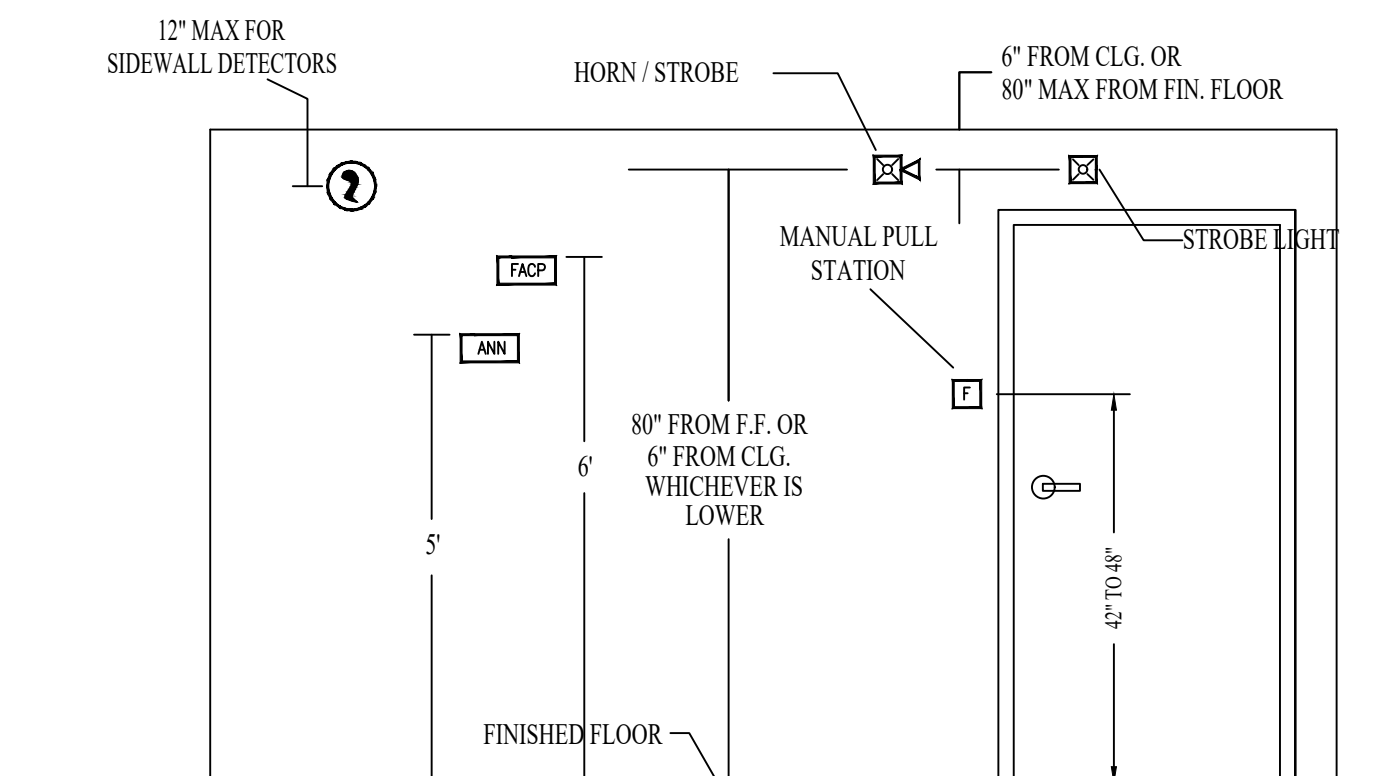
FIRE ALARM SYSTEM LAYOUT - 2ND FLOOR
SCALE: 1/8" = 1'

SYMBOL LEGEND				
QTY	SYMBOL	DESCRIPTION	MODEL #	BACK BC
1		FIRE ALARM CONTROL PANEL	FC 901	ENCLOSURE
1		SMOKE DETECTOR	OH921/DB-11	OCTAGON, 4 SQ OR SG
4		DUAL ACTION MANUAL PULL STATION	MSM-KD/HTRI-M	SINGLE GANG
2		SINGLE INPUT MODULE W/ RELAY	HTRI-R	4" SQUARE
6		MULTI CANDELA HORN/STROBE	ZH-MC-R	4" SQUARE O SINGLE GANG
4		MULTI CANDELA STROBE	ZR-MC-R	4" SQUARE O SINGLE GANG

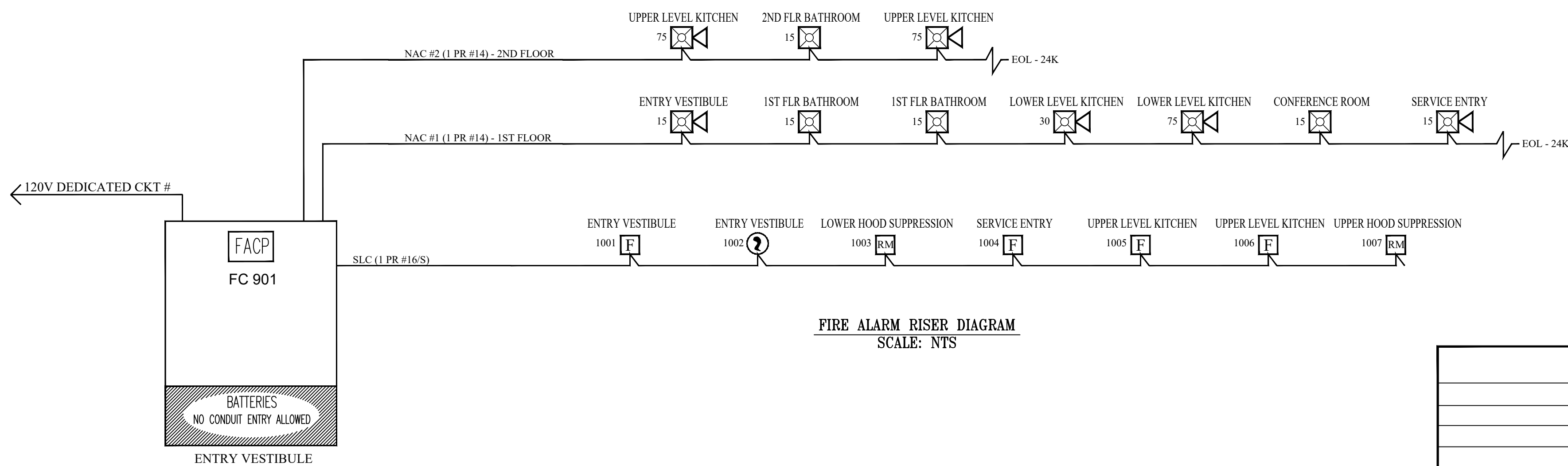
	Activate the Alarm LED and Buzzer on the FACP & Remote Annunciator(s)	Activate the Supervisory LED and Buzzer on the FACP & Remote Annunciator(s)	Operations Matrix - Forq Food Labs Activate the Trouble LED and Buzzer on the FACP & Remote Annunciator(s)	Activate All Building Notification Appliances	Display Custom Message and Address on FACP & Remote Annunciator(s)	Transmit Alarm Signal to Portland Dispatch via Radio Master Box	Transmit Trouble Signal to Central Station via FACP DACT	Transmit Supervisory Signal to Central Station via FACP DACT
Smoke Detector	√			√	√	√		
Manual Pull Station	√			√	√	√		
Hood Suppression Activation	√				√	√		
Short Circuit			√				√	
Ground Fault			√				√	
Open Circuit			√				√	
Loss of Primary Power			√				√	
Loss of Secondary Power			√				√	



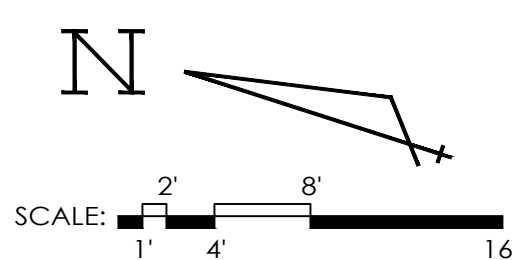
DEVICE WIRING DETAIL
SCALE: NTS



DEVICE ELEVATION DETAIL
NOT TO SCALE



FIRE ALARM RISER DIAGRAM
SCALE: NTS



GENERAL NOTES	DATE	REVISIONS	REQUIRED APPROVALS	FORQ FOOD LABS PARRISS ST PORTLAND, ME CONTRACT WITH: ELECTRICAL SYSTEMS OF MAINE EASTERN FIRE SERVICES, INC. AUBURN/LEWISTON INDUSTRIAL AIRPARK, AUBURN, MAINE 04210	FIRE ALARM SYSTEM
			OWNER STATE FIRE MARSHAL LOCAL FIRE DEPARTMENT		PLANS & DETAILS
			DRAWN BY CRM		DWG. NO. FA-1
			CHECKED BY BWB		JOB NUMBER
			CONTRACTOR LICENSE #	SCALE AS SHOWN	
				DATE 5/11/16	