

HOOD INFORMATION - Job#2617217

HOOD NO.	TAG	MODEL	LENGTH	MAX. COOKING TEMP.	EXHAUST PLENUM RISER(S)					TOTAL SUPPLY CFM	HOOD CONSTRUCTION	HOOD CONFIG.			
					TOTAL EXH. CFM	WIDTH	LENG	HEIGHT	DIA.			CFM	S.P.	END TO END	ROW
1	FRONT LEFT	5424 ND-2	13' 0.00"	600 Deg.	3250	14"	22"	4"		3250	-0.429"	0	430 SS Where Exposed	LEFT	ALONE
2	FRONT RIGHT	5424 VHB	13' 0.00"	700 Deg.	2275	16"	16"	4"		2275	-0.198"	0	430 SS 100%	RIGHT	ALONE
3	BACK	5424 ND-2	13' 0.00"	600 Deg.	2600	14"	16"	4"		2600	-0.402"	0	430 SS Where Exposed	ALONE	ALONE
4	SUPPLY PLENUM - F, L	246 MISC-PSP	13' 0.00"	300 Deg.	0					2475			430 SS Where Exposed	ALONE	ALONE
5	SUPPLY PLENUM - F, R	246 MISC-PSP	13' 0.00"	300 Deg.	0					2200			430 SS Where Exposed	ALONE	ALONE
6	SUPPLY PLENUM - BACK	246 MISC-PSP	14' 8.00"	300 Deg.	0					2400			430 SS Where Exposed	ALONE	ALONE

HOOD INFORMATION

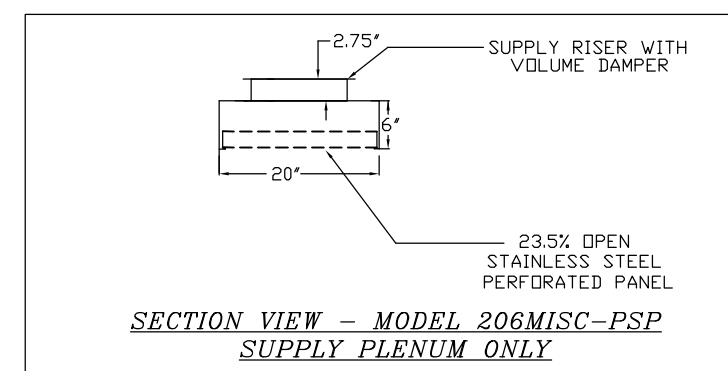
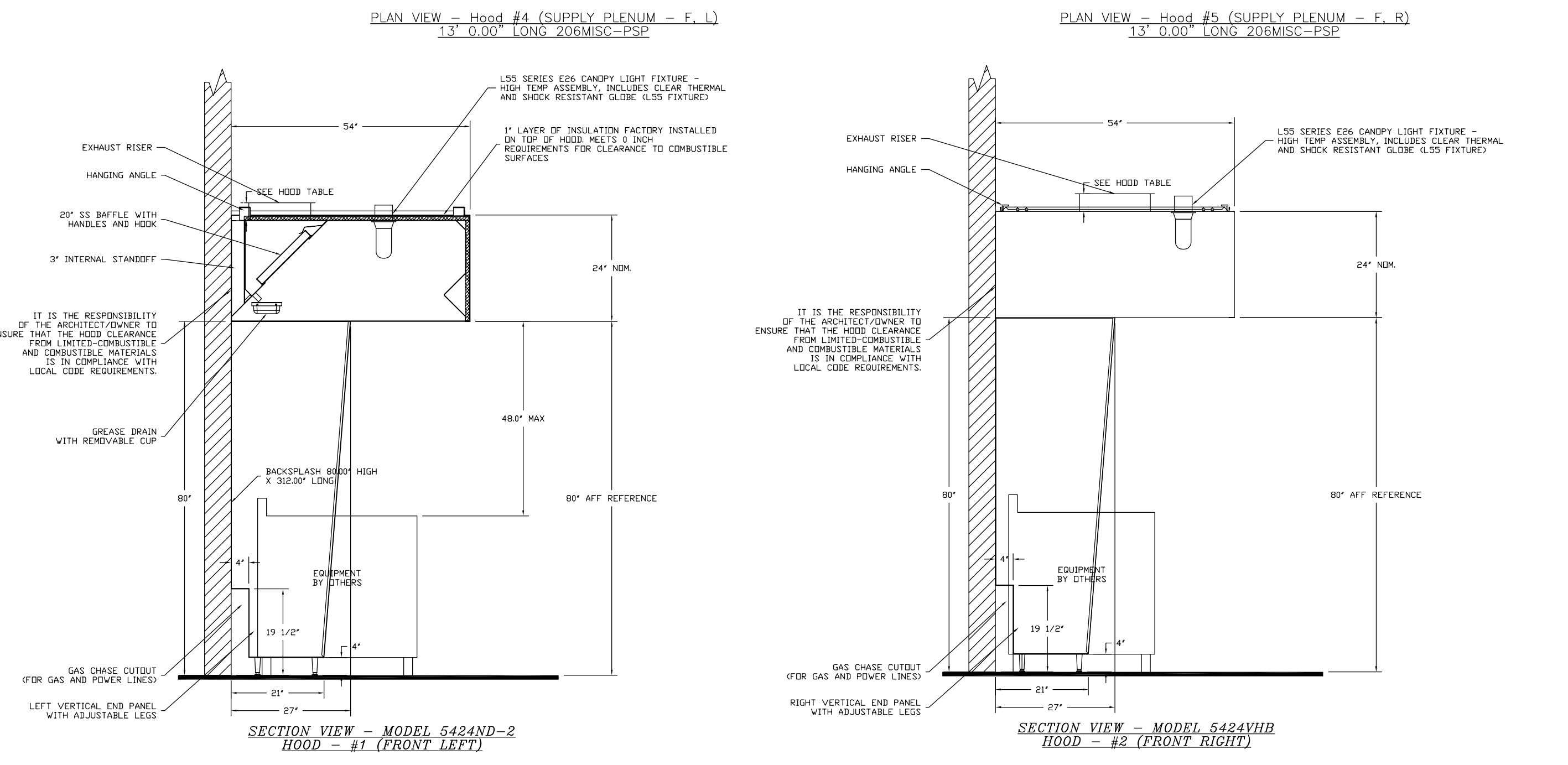
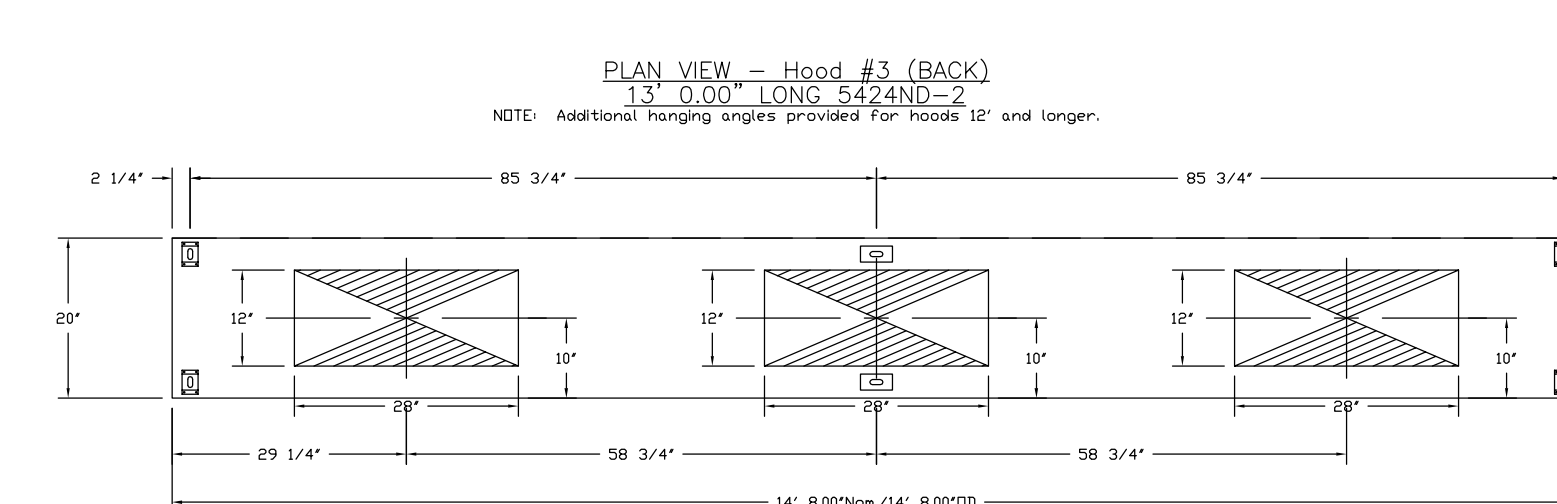
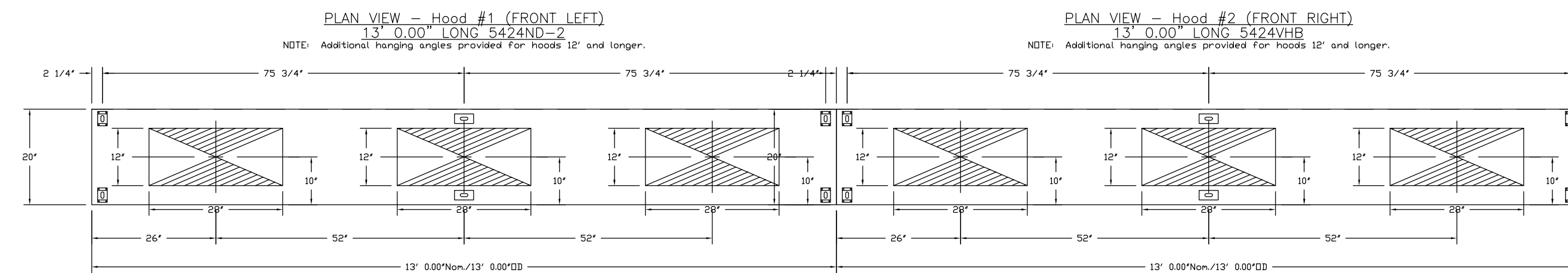
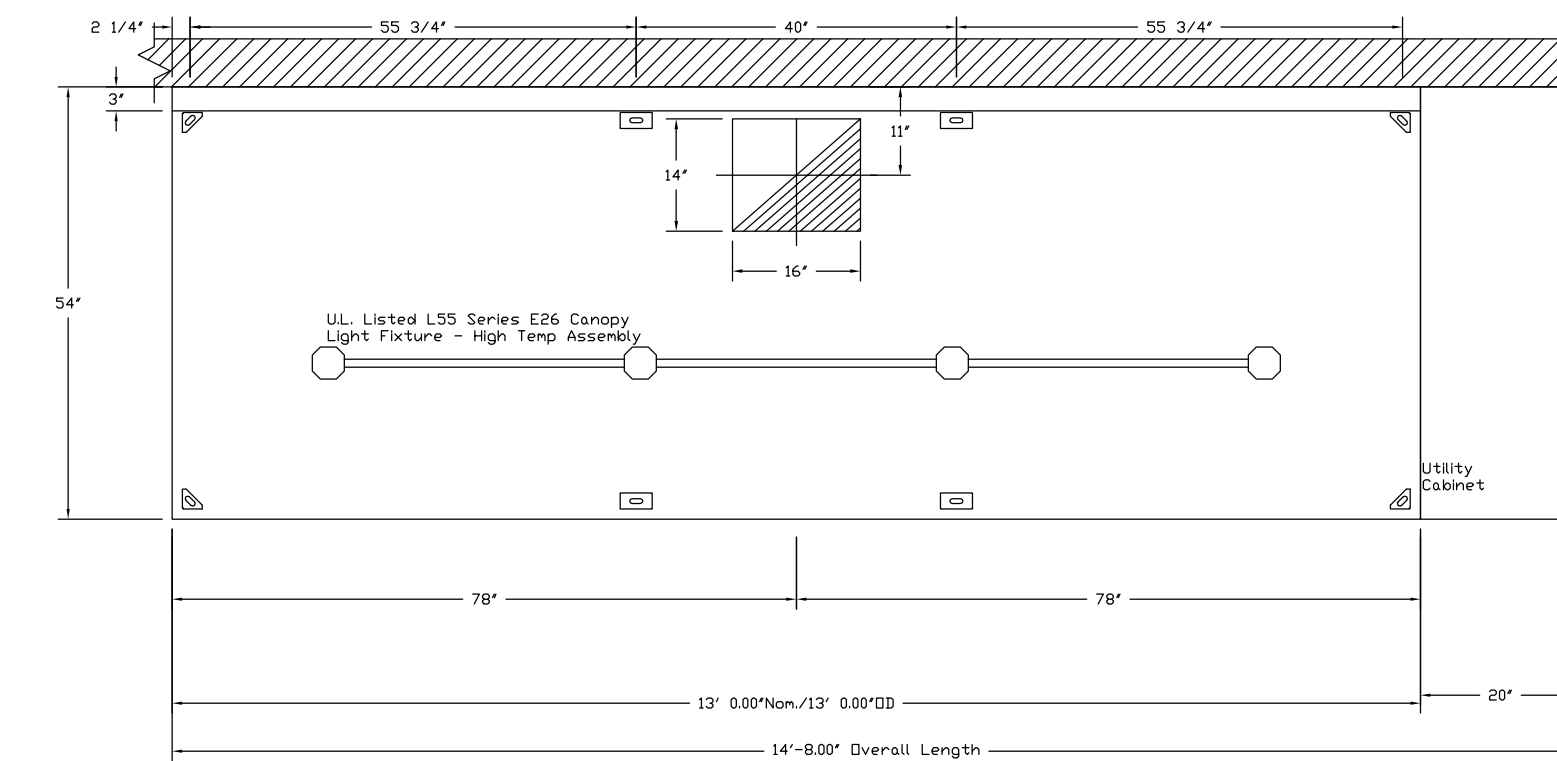
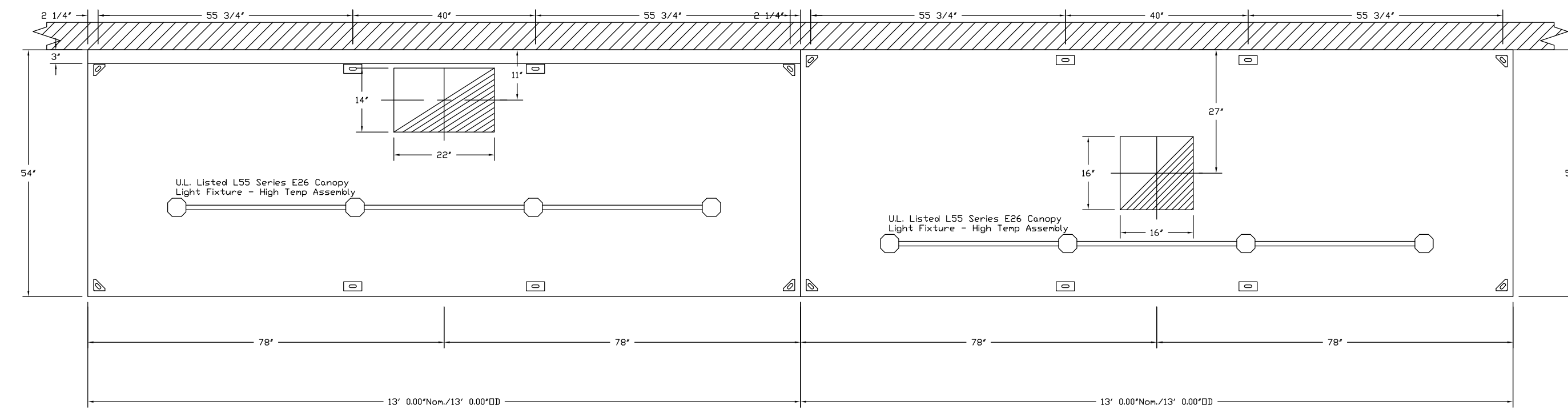
HOOD NO.	TAG	FILTER(S)				LIGHT(S)				UTILITY CABINET(S)				FIRE SYSTEM PIPING	HOOD HANGING WGT		
		TYPE	QTY	HEIGHT	LENGTH	EFFICIENCY @ 9 MICRONS	QTY	TYPE	WIRE GUARD	LOCATION	SIZE	FIRE SYSTEM	SIZE			ELECTRICAL	MODEL #
1	FRONT LEFT	SS Baffle with Handles	9	20"	16"	30%	4	L55 Series E26	NO							NO	606 LBS
2	FRONT RIGHT						4	L55 Series E26	NO							NO	340 LBS
3	BACK	SS Baffle with Handles	9	20"	16"	30%	4	L55 Series E26	NO	Right	20"x54"x24"			SC-33110FP	1 Light 1 Fan	NO	722 LBS

HOOD OPTIONS

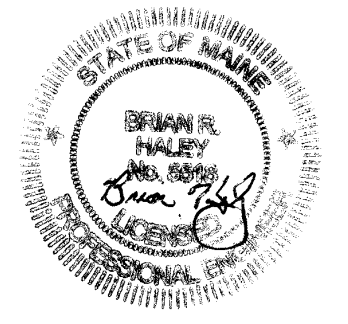
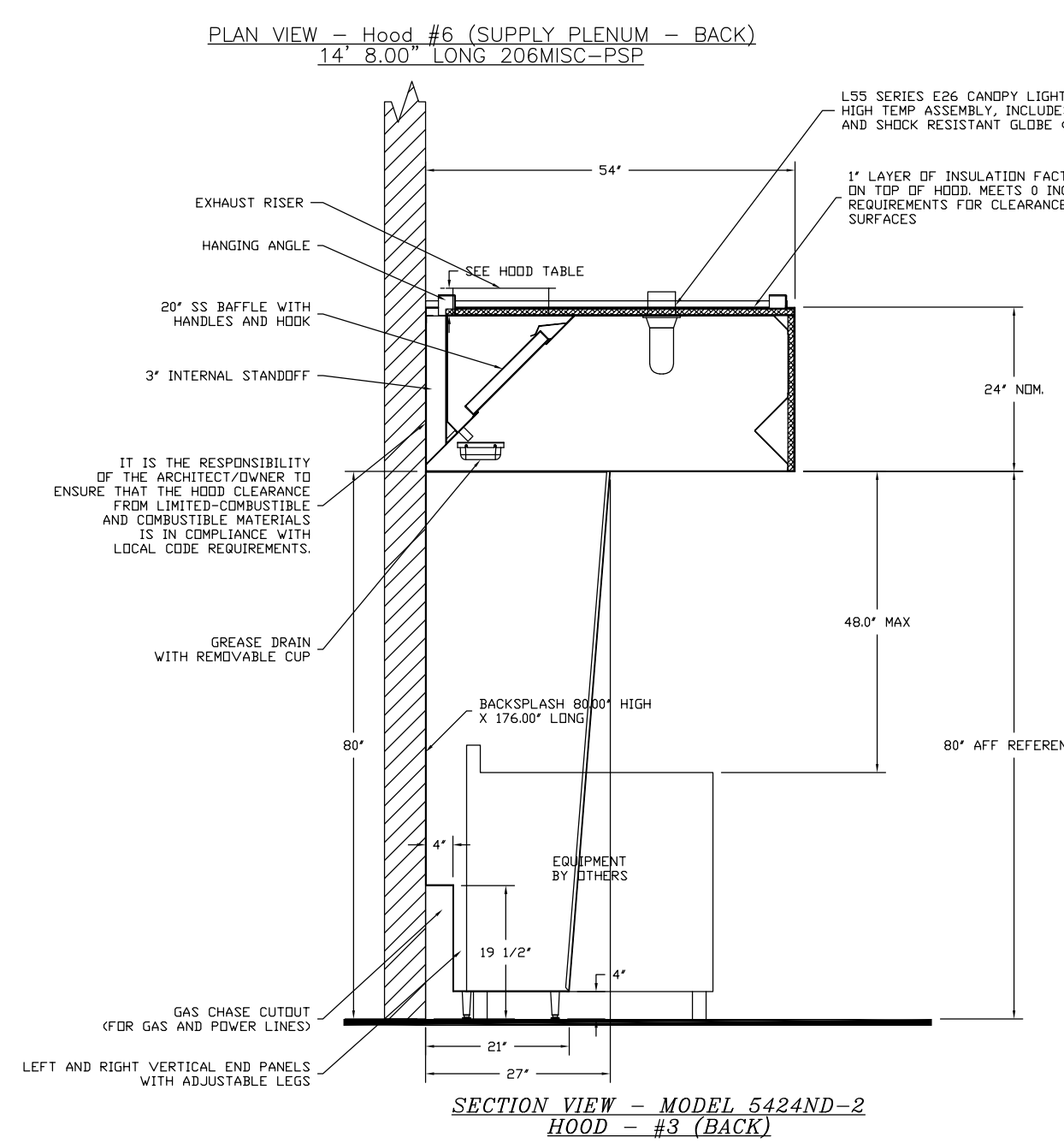
HOOD NO.	TAG	OPTION
1	FRONT LEFT	BACKSPLASH 80.00" High X 312.00" Long 430 SS Vertical
		INSULATION FOR TOP OF HOOD
2	FRONT RIGHT	LEFT VERTICAL END PANEL 27" Top Width, 21" Bottom Width, 80" High Insulated 4" Legs 430 SS
		RIGHT VERTICAL END PANEL 27" Top Width, 21" Bottom Width, 80" High Insulated 4" Legs 430 SS
3	BACK	BACKSPLASH 80.00" High X 176.00" Long 430 SS Vertical
		INSULATION FOR TOP OF HOOD
		RIGHT VERTICAL END PANEL 27" Top Width, 21" Bottom Width, 80" High Insulated 4" Legs 430 SS
		LEFT VERTICAL END PANEL 27" Top Width, 21" Bottom Width, 80" High Insulated 4" Legs 430 SS

PERFORATED SUPPLY PLENUM(S)

HOOD NO.	TAG	POS.	LENGTH	WIDTH	HEIGHT	TYPE	RISER(S)				
							WIDTH	LENG.	DIA.	CFM	S.P.
4	SUPPLY PLENUM - F, L	Front	156'	20'	6'	MUA	12"	28"		816	0.247"
							12"	28"		816	0.247"
							12"	28"		816	0.247"
5	SUPPLY PLENUM - F, R	Front	156'	20'	6'	MUA	12"	28"		733	0.202"
							12"	28"		733	0.202"
							12"	28"		733	0.202"
6	SUPPLY PLENUM - BACK	Front	176'	20'	6'	MUA	12"	28"		800	0.206"
							12"	28"		800	0.206"
							12"	28"		800	0.206"



SUPPLY PLENUMS HAVE BEEN DESIGNED TO BE HUNG WITH DISCHARGE AT 91\"/>



HALEY'S METAL SHOP, INC.
 539 ELM STREET
 BIDDEFORD, MAINE 04005
 PH: 207-284-8571, FAX: 207-284-9597

DATE: 05/12/16
 SCALE: NTS

**FORQ FOOD LAB
 PORTLAND, MAINE
 HOOD DETAILS**

**HVAC
 M-4**

FOR CONSTRUCTION