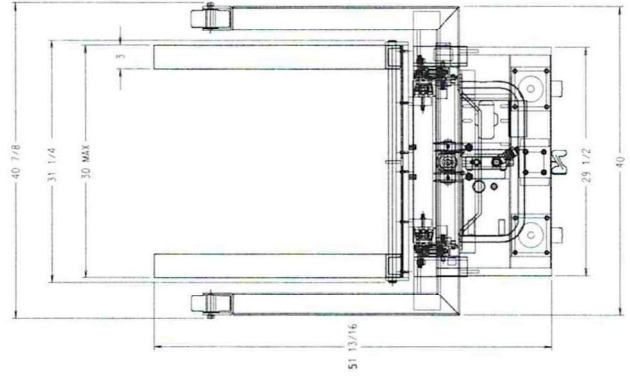
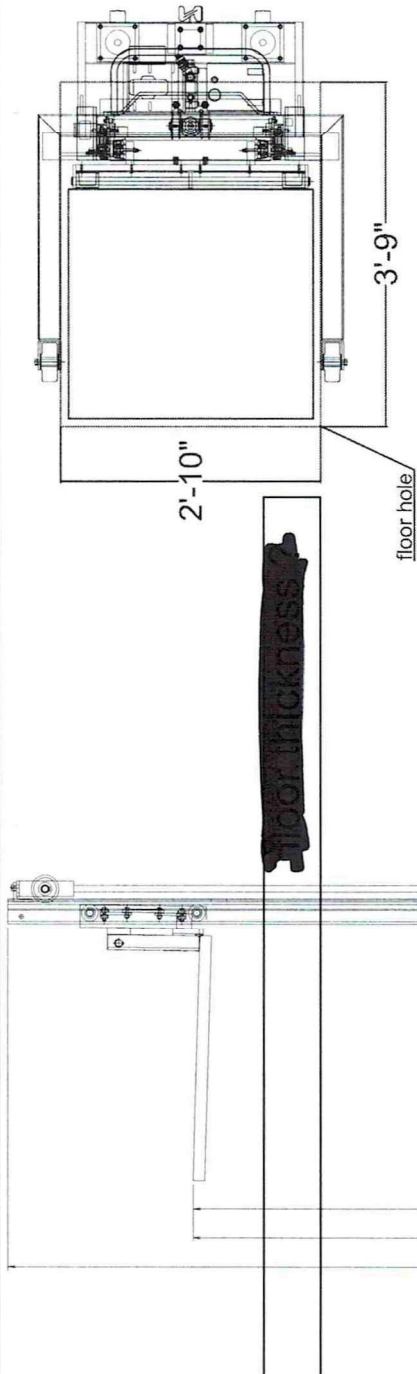


Equipment

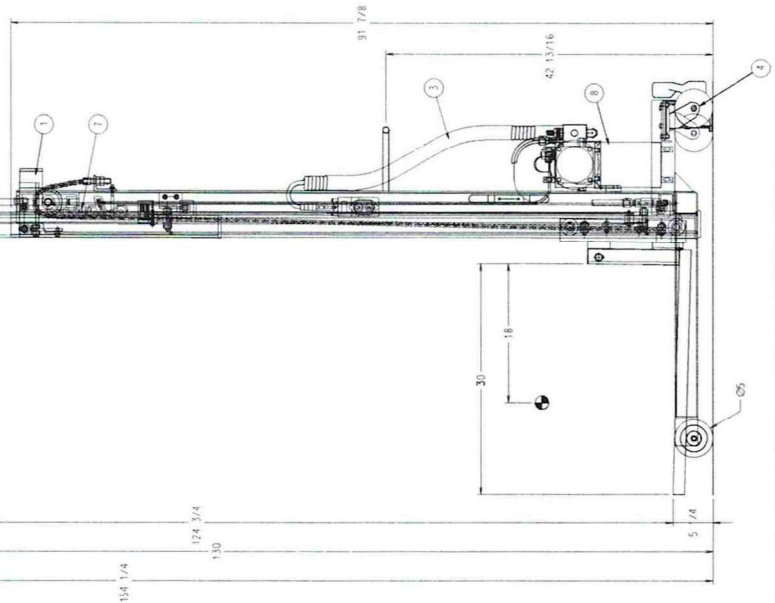
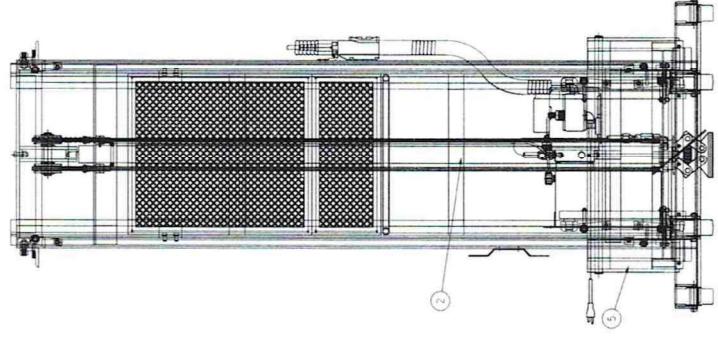
ET

N.T.S.

REV. A	DATE	DESCRIPTION	APPROVED	DATE
	02/13/06		ET	



51 13/16



GENERAL DESCRIPTION  
 MODEL: EPFT130  
 CAPACITY: 1000 LBS. @ 18" L.C.  
 SPEED: 10" @ 34 SEC.  
 POWER: 115/7/60  
 CONTROLS: PUSHBUTTON  
 FINISH: PRESTO ORANGE & BLACK MACHINERY ENAMEL

10	REF	HY PLUMBING SCHEMATIC	A	B0000057
9	REF	EL WIRING DIAG 115 AC NO XFMR	B	B0000432
8	1-0	HY PU SALENDID 115V 1P 1-DHP ZIGZAG	D	E001455
7	1-0	LD KIT LOC DIAG STACKER	C	R0002103
6				
5	1-0	TP BACKPLATE & FORK ASSY EPFT	D	B0002101
4	1-0	ADP PORT KIT EPFT	C	B0002100
3	1-0	EL AIR EPFT130	C	B0002118
2	1-0	HY AIR T EPFT130 115V	D	B0002117
1	1-0	SA FRAME AND MAST WELDMENT EPFT130	D	B0002115

PRESTO LIFTS WINDUIDE MATERIAL HANDLING AND TRANSPORTATION EQUIPMENT 11500 W. 130th St. Overland Park, MO 66204 (816) 875-1100 FAX: (816) 875-1105 WWW.PRESTOLIFTS.COM		MODEL: EPFT130 SERIAL NUMBER: TL DATE OF MANUFACTURE: 02/13/06 DATE OF INSTALLATION:
--	--	---

THIS DRAWING MUST BE AT REVISION: 'A'