



© 2018 RYAN SENATORE ARCHITECTURE

DELI FIT-UP
UNION STREET
PORTLAND, MAINE



RYAN SENATORE
ARCHITECTURE
565 CONGRESS STREET
PORTLAND, MAINE 04101
207-650-6414
senatorearchitecture.com

CONSULTANTS:

REVISIONS:

DATE: 20 FEBRUARY 2018

PROJECT No. 1778

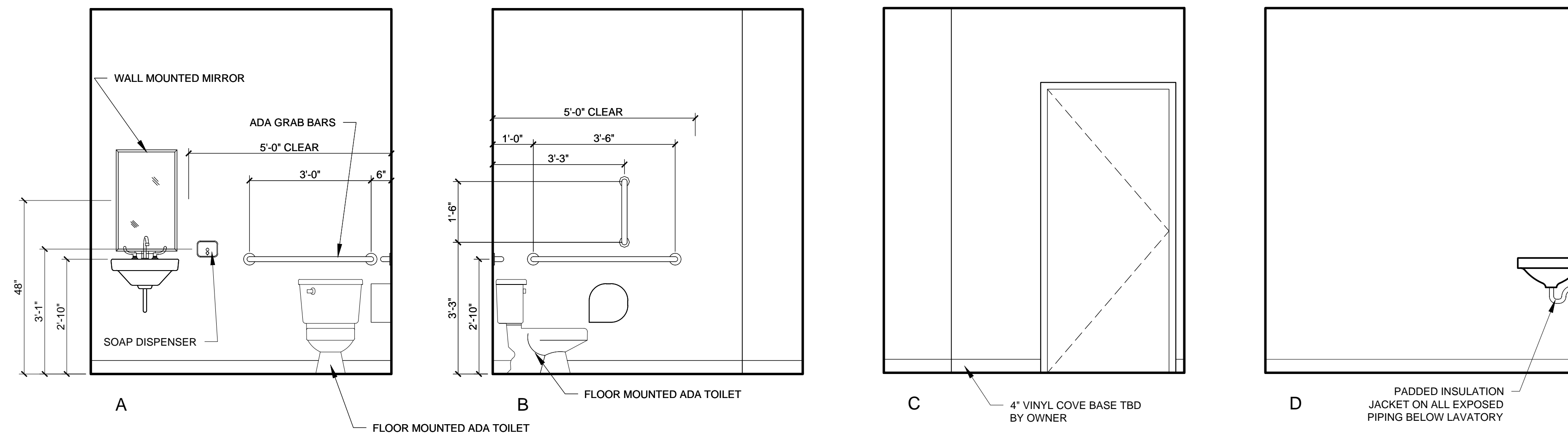
DRAWN BY: RRT, RJS, JPF

CHECKED BY: RJS

SCALE: AS NOTED

SHEET TITLE:
INTERIOR
ELEVATIONS

A4-0



1 TENANT 4 - BATH INTERIOR ELEVATIONS
1/2" = 1'-0"