



Attn: Mike

874-0933

Mr. SLIM.  
Split-ductless A/C and Heat Pumps

COOLING & HEATING

**SUBMITTAL DATA: MSY-D36NA & MUY-D36NA**

36,000 BTU/H WALL-MOUNTED AIR-CONDITIONING SYSTEM

Job Name:	Location:	Date:
Purchaser:	Engineer:	
Submitted to:	For <input type="checkbox"/> Reference <input type="checkbox"/> Approval <input type="checkbox"/> Construction	
System Designation:	Schedule No.:	

**GENERAL FEATURES**

- Catechin and anti-allergy enzyme filters for high air-purification capabilities
- Updated sleek, compact indoor unit design
- Remote-controlled wide airflow enables ideal horizontal air distribution
- Self-check function—onboard diagnostics
- Advanced microprocessor control
- Auto restart following a power outage
- Hand-held Wireless Remote Controller
- Anti-allergy Enzyme Filter
- Limited warranty: five years on parts and defects and seven years on compressors

**OPTIONAL ACCESSORIES**

**Outdoor Unit**

- Drain Socket Assembly (MAC-811DS)

**Indoor Unit**

- Three-pole Disconnect Switch (TAZ-MS303)
- Condensate Pump (230V; S13100-230)

**Controller Options**

- Wall-mounted Wired Remote Controller (PAR-21MAA; req. MAC-3971F)
- MA Contact Terminal Interface (MAC-397IF)
- M-NET Control Adapter (MAC-399IF)
- Remote Temperature Sensor (M21-JKO-307)
- Lockdown Bracket for Hand-held Controller (RCMKP1CB)

**Cooling\***

Rated Capacity . . . . . 34,600 Btu/h  
 Minimum Capacity . . . . . 9,800 Btu/h  
 SEER . . . . . 15.1 Btu/h/W  
 Total Input . . . . . 4,240 W

\* Rating Conditions (Cooling) - Indoor: 80°F (27°C) DB, 67°F (19°C) WB; Outdoor: 85°F (35°C) DB, 75°F (24°C) WB.

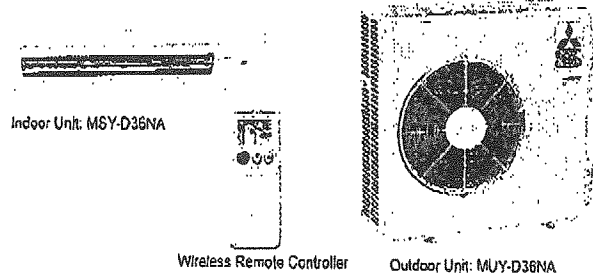
Power Supply . . . . . 208 / 230V, 1-Phase, 60 Hz  
 Breaker Size . . . . . 25 A

**Voltage**

Indoor - Outdoor S1-S2 . . . . . AC 208 / 230V  
 Indoor - Outdoor S2-S3 . . . . . DC 12-24V  
 Indoor - Remote Controller . . . . . Wireless

**OPERATING RANGE**

		Indoor Intake Air Temp.	Outdoor Intake Air Temp.
Cooling	Maximum	90°F (32°C) DB, 73°F (23°C) WB	115°F (46°C) DB
	Minimum	67°F (19°C) DB, 57°F (14°C) WB	14°F (-10°C) DB



**Indoor Unit**

MCA . . . . . 1 A  
 Fan Motor . . . . . 0.76 F.L.A.  
 Airflow  
 Cooling (Lo - Med - Hi - Powerful) 389 - 639 - 848 - 887 Dry CFM  
 350 - 576 - 763 - 798 Wet CFM  
 Sound Pressure Level  
 Cooling (Lo - Med - Hi - Powerful) . . . . . 32 - 42 - 49 - 51 dB(A)

DIMENSIONS	UNIT INCHES / MM
W	46-1/16 / 1,170
D	11-5/8 / 295
H	14-3/8 / 365

Weight . . . . . 40 lbs. / 18 kg  
 External Finish . . . . . Munsell No. 1.0Y 9.2 / 0.2  
 Field Drainpipe Size O.D. . . . . 5/8" / 15.88 mm

**Outdoor Unit**

Compressor . . . . . DC Inverter-driven Rotary  
 MCA . . . . . 21 A  
 Fan Motor . . . . . 0.93 F.L.A.  
 Sound Pressure Level  
 Cooling . . . . . 56 dB(A)

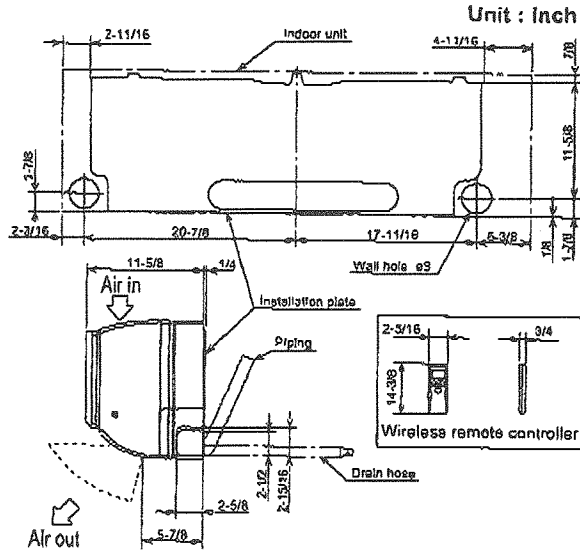
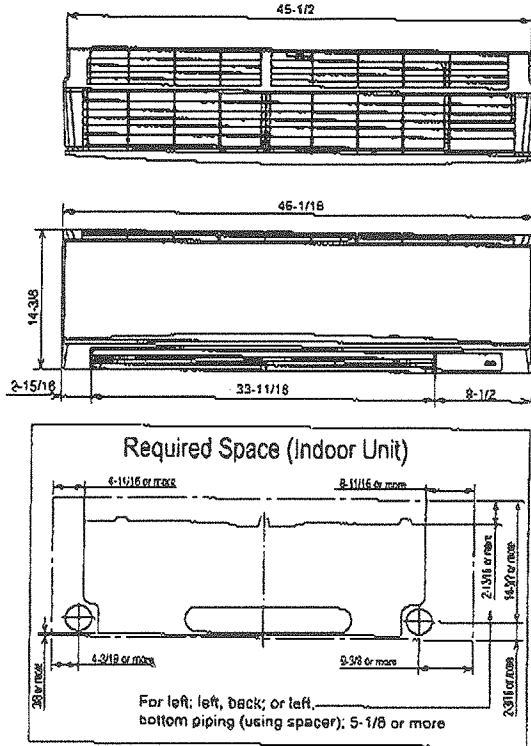
DIMENSIONS	INCHES / MM
W	33-1/16 / 840
D	13 / 330
H	33-7/16 / 849

Weight . . . . . 126 lbs. / 57 kg  
 External Finish . . . . . Munsell No. 3Y 7.8 / 1.1  
 Refrigerant Type . . . . . R410A  
 Refrigerant Pipe Size O.D.  
 Gas Side . . . . . 5/8" / 15.88 mm  
 Liquid Side . . . . . 3/8" / 9.53 mm  
 Max. Refrigerant Pipe Length . . . . . 100' / 30 m  
 Max. Refrigerant Pipe Height Difference . . . . . 50' / 15 m  
 Connection Method . . . . . Flared



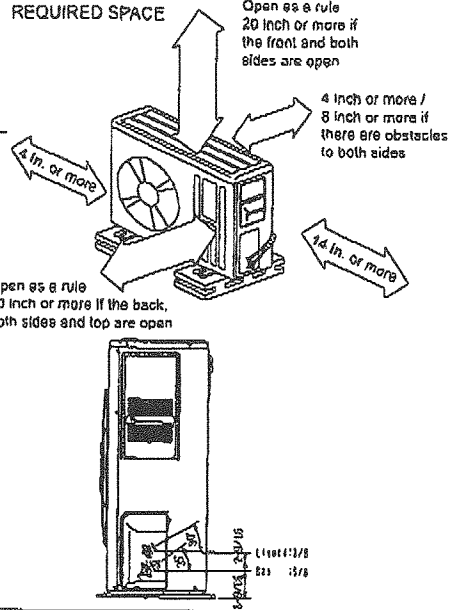
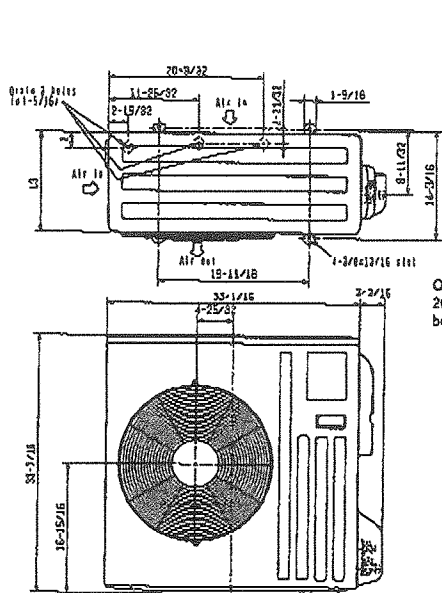
# DIMENSIONS: MSY-D36NA & MUY-D36NA

## MSY-D36NA



	Piping	Insulation
Liquid line	ø3/8 19-11/16 (Flared connection ø3/8)	ø1-1/4 O.D. ø9/16 I.D.
Gas line	ø5/8 16-7/8 (Joint connection ø5/8)	ø1-15/16 O.D. ø1-1/4 I.D.
Joint	ø5/8 (Flared connection ø5/8)	ø1-15/16 O.D. ø1-1/4 I.D.
Drain hose	Insulation ø1-1/8 Connected part ø9/16 O.D.	

## MUY-D36NA



*Low Roof*



3400 Lawrenceville Suwanee Rd  
Suwanee, GA 30024  
Tele: 678-376-2800 • Fax: 800-889-9904  
Toll Free: 800-433-4822 (#3)  
www.mehvac.com  
Specifications are subject to change without notice.