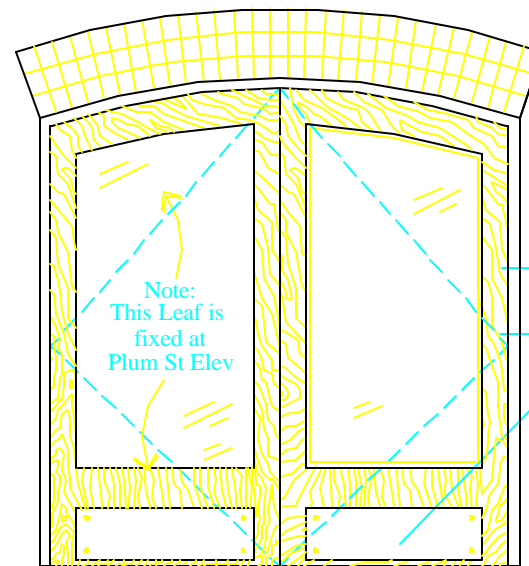
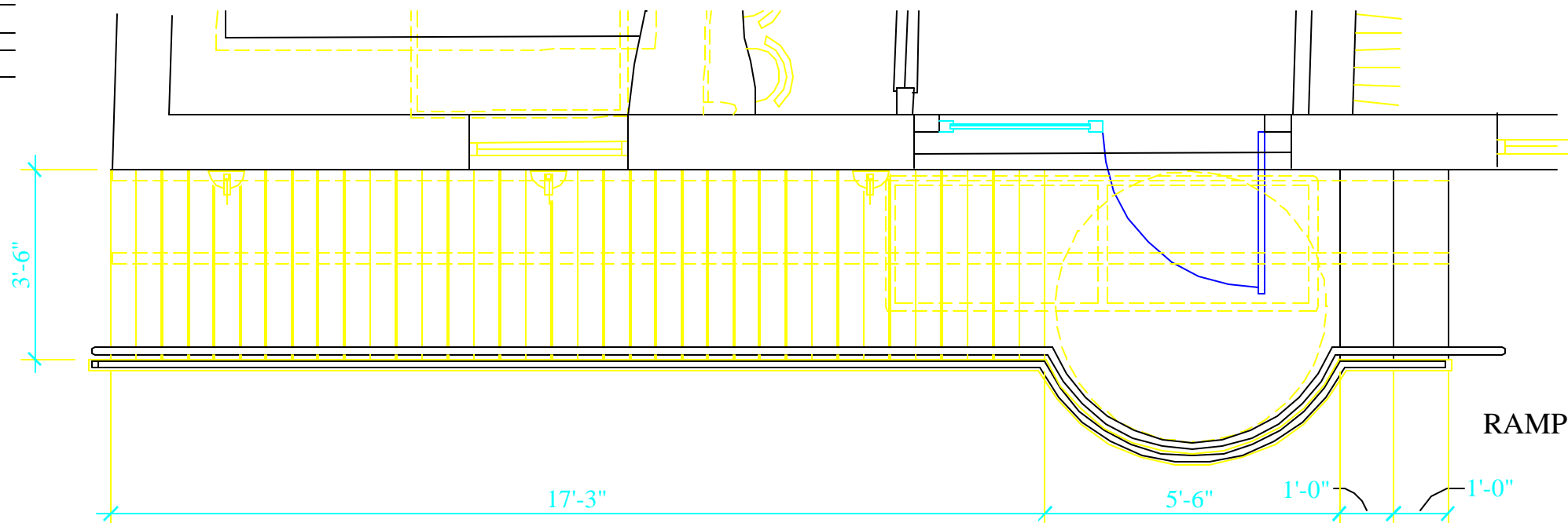
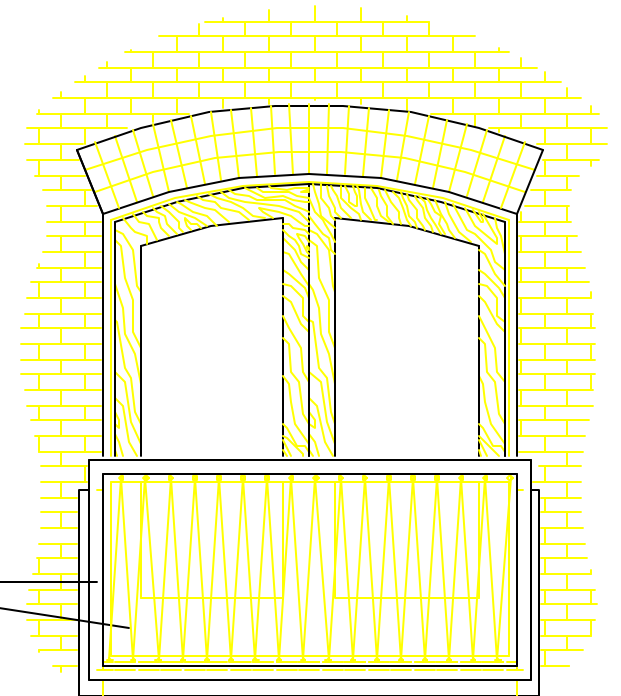


CANOPY - DTL SECTION



- TYP NEW MAPLE and GLASS EXTERIOR DOOR
- WOOD TO RECEIVE MARINE VARNISH FINISH
- METAL KICK-PLATES
- STEEL FRAME - Galvanized
- STEEL CABLE BALLUSTRADE

Exterior Door Elevation



RAMP PLAN

